

## 92 DC Fan Series x92x25mm

UL us CE RoHS

Optional Features



### GENERAL SPECIFICATIONS

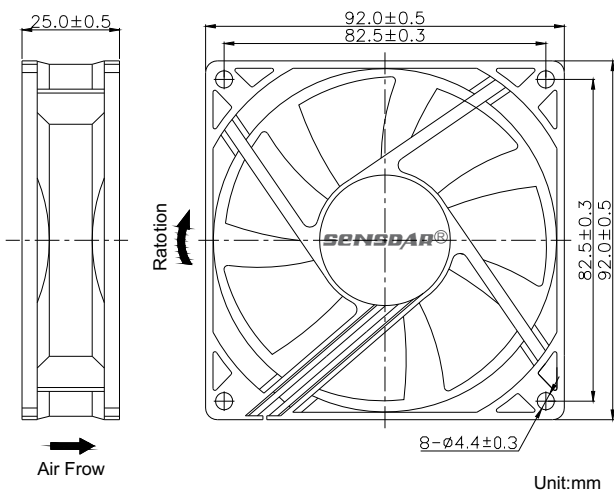
Bearing Type: Sleeve Bearing & Ball Bearing  
 Material: Impeller & Frame: Plastic (UL94V-0)  
 Lead Wire: UL Type  
 Operation Temperature: -10°C~70°C, 35%~85%RH  
 Storage Temperature: -40°C~80°C, 35%~85%RH



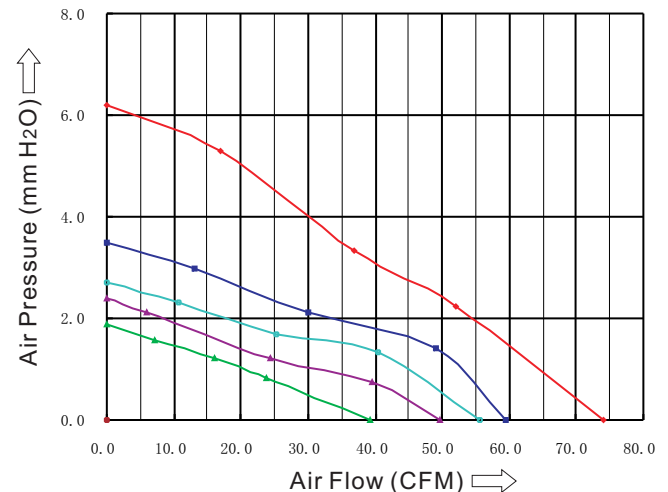
### SPECIFICATIONS

Model	Bearing System		Rated Voltage	Operation Voltage	Rated Current	Rated Speed	Air Flow	Air Pressure	Noise Level	Weight
	Ball	Sleeve	VDC	VDC	A	RPM	CFM	mmH <sub>2</sub> O	dBA	g
SD9225H5X	●	●	5.0	3.5~5.5	0.40	2800	55.5	2.7	35	84
SD9225M5X	●	●			0.28	2500	49.6	2.4	32	
SD9225L5X	●	●			0.22	2000	39.2	1.9	27	
SD9225H1X	●	●	12.0	6.0~13.8	0.50	3800	74.0	6.2	42	
SD9225M1X	●	●			0.28	3000	59.6	3.5	36	
SD9225L1X	●	●			0.15	2000	39.2	1.9	27	
SD9225H2X	●	●	24.0	12.0~27.6	0.30	3800	74.0	6.2	42	
SD9225M2X	●	●			0.20	3000	59.6	3.5	36	
SD9225L2X	●	●			0.10	2000	39.2	1.9	27	
SD9225H4X	●	●	48.0	24.0~55.2	0.18	3800	74.0	6.2	42	
SD9225M4X	●	●			0.12	3000	59.6	3.5	36	
SD9225L4X	●	●			0.10	2000	39.2	1.9	27	

### DIMENSIONS DRAWING



### P&Q CURVE (AT RATED VOLTAGE)



Note:

- \*All readings are typical values at rated voltage.
- \*Specifications are subject to change without prior notice.
- \*"X" in model list can be B, S, and C, meaning Dual Ball Bearing, Sleeve Bearing and 1 Ball 1 Sleeve Bearing