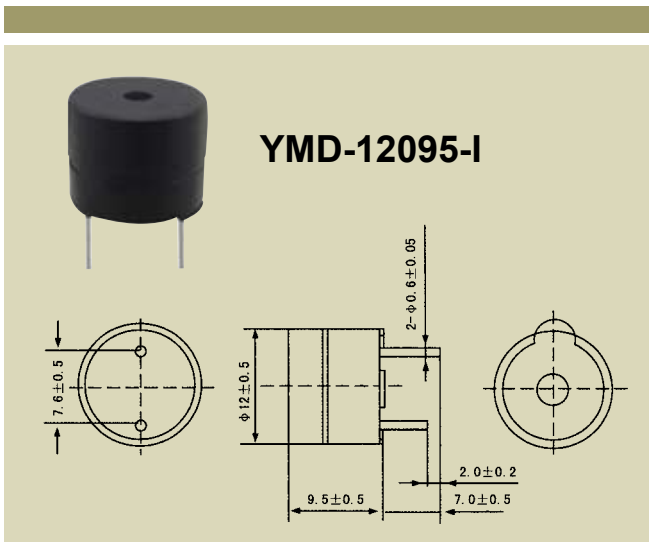
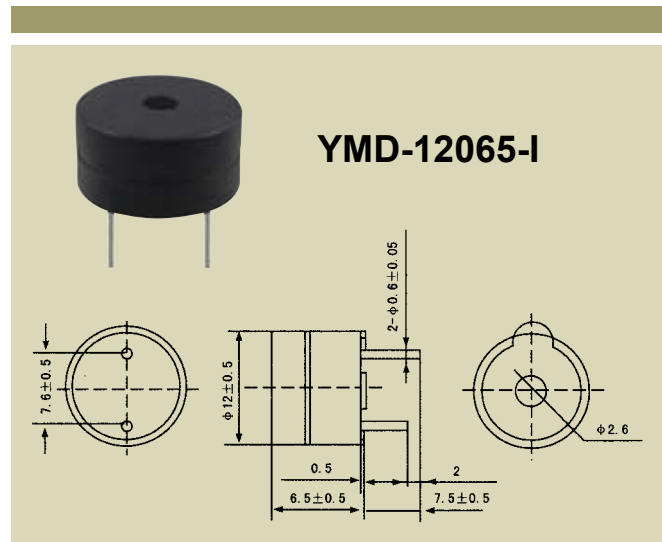


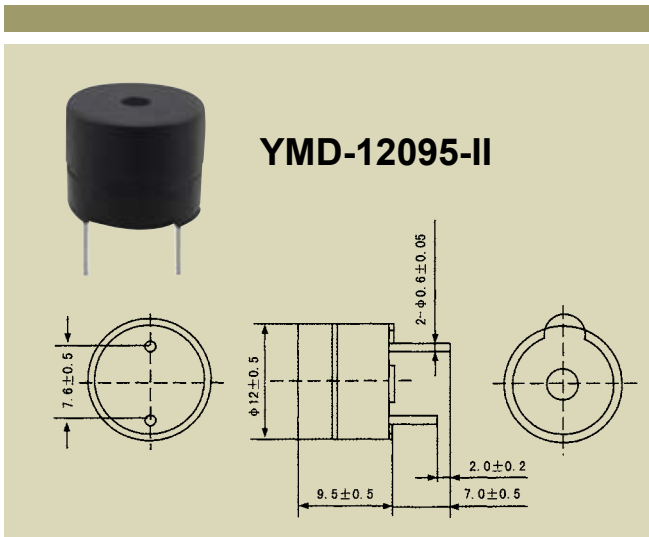
BUZZER



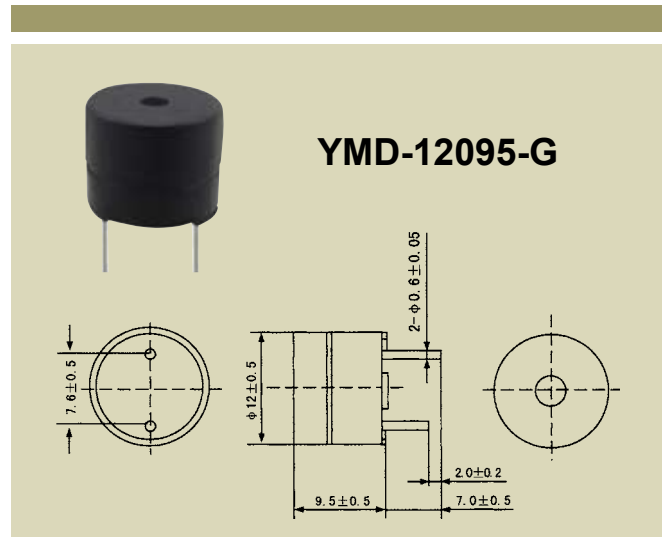
Type	YMD-12095- I					
Rated Voltage(V)	1.5	3	6	9	12	24
Voltage Range(V)	1.3~2.5	2.5~4	4~8	8~10	10~13	15~28
Rated Current(mA)	≤20	≤35	≤32	≤20	≤25	≤42
Sound Output(dB)	≥80	≥85	≥85	≥85	≥85	≥85
Resonant Freq(Hz)	2300±300	2300±300	2300±300	2300±300	2300±300	2300±300
Operating Temp(°C)	-20~+45	-20~+45	-20~+45	-20~+45	-20~+45	-20~+45
Storage Temp(°C)	-20~+60	-20~+60	-20~+60	-20~+60	-20~+60	-20~+60
Weight(g)	2	2	2	2	2	2



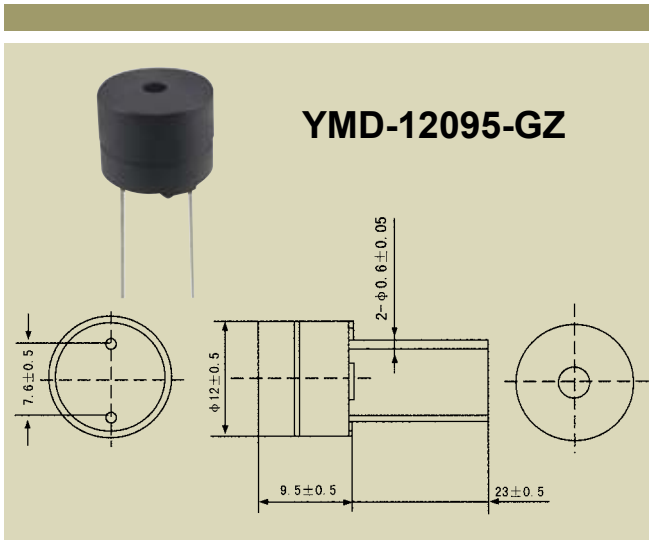
Type	YMD-12065- I					
Rated Voltage(V)	1.5	3	5	6	9	12
Voltage Range(V)	1.2~2.5	2.5~4	4~7	5~8	8~11	10~13
Rated Current(mA)	≤20	≤35	≤28	≤32	≤20	≤25
Sound Output(dB)	≥80	≥85	≥85	≥85	≥85	≥85
Resonant Freq(Hz)	2600±300	2600±300	2600±300	2600±300	2600±300	2600±300
Operating Temp(°C)	-20~+45	-20~+45	-20~+45	-20~+45	-20~+45	-20~+45
Storage Temp(°C)	-20~+60	-20~+60	-20~+60	-20~+60	-20~+60	-20~+60
Weight(g)	1.5	1.5	1.5	1.5	1.5	1.5



Type	YMD-12095-II					
Rated Voltage(V)	1.5	3	5	6	9	12
Voltage Range(V)	1.2~2.5	2.5~4	4~7	5~8	8~10	10~13
Rated Current(mA)	≤15	≤25	≤28	≤35	≤22	≤28
Sound Output(dB)	≥80	≥85	≥85	≥85	≥85	≥85
Resonant Freq(Hz)	2300±300	2300±300	2300±300	2300±300	2300±300	2300±300
Operating Temp(°C)	-20~+45	-20~+45	-20~+45	-20~+45	-20~+45	-20~+45
Storage Temp(°C)	-20~+60	-20~+60	-20~+60	-20~+60	-20~+60	-20~+60
Weight(g)	2	2	2	2	2	2

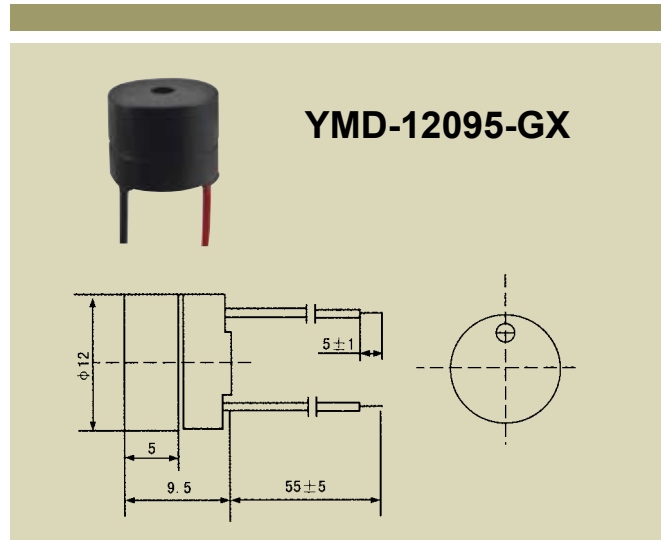


Type	YMD-12095-G					
Rated Voltage(V)	1.5	3	6	9	12	24
Voltage Range(V)	1.3~2.5	2.5~4	4~8	8~10	10~13	15~28
Rated Current(mA)	≤20	≤35	≤32	≤20	≤25	≤45
Sound Output(dB)	≥80	≥85	≥85	≥85	≥85	≥85
Resonant Freq(Hz)	2300±300	2300±300	2300±300	2300±300	2300±300	2300±300
Operating Temp(°C)	-20~+45	-20~+45	-20~+45	-20~+45	-20~+45	-20~+45
Storage Temp(°C)	-20~+60	-20~+60	-20~+60	-20~+60	-20~+60	-20~+60
Weight(g)	2	2	2	2	2	2



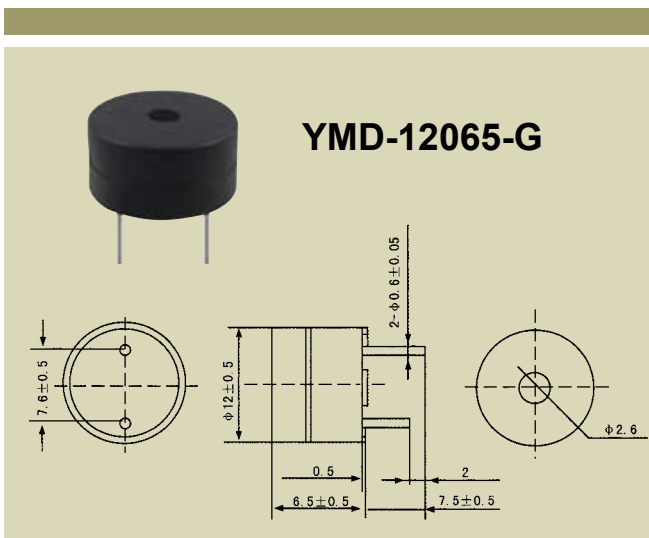
YMD-12095-GZ

Type	YMD-12095-GZ					
Rated Voltage(V)	1.5	3	6	9	12	24
Voltage Range(V)	1.3~2.5	2.5~4	4~8	8~10	10~13	15~28
Rated Current(mA)	≤20	≤35	≤32	≤20	≤25	≤45
Sound Output(dB)	≥80	≥85	≥85	≥85	≥85	≥85
Resonant Freq(Hz)	2300±300	2300±300	2300±300	2300±300	2300±300	2300±300
Operating Temp(°C)	-20~+45	-20~+45	-20~+45	-20~+45	-20~+45	-20~+45
Storage Temp(°C)	-20~+60	-20~+60	-20~+60	-20~+60	-20~+60	-20~+60
Weight(g)	2	2	2	2	2	2



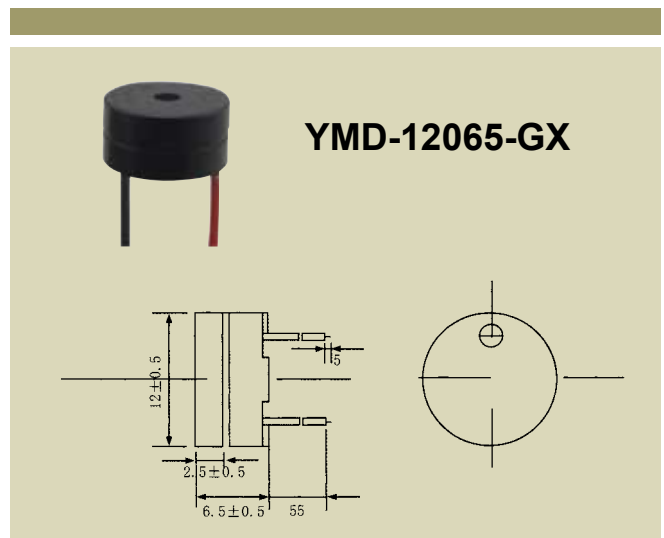
YMD-12095-GX

Type	YMD-12095-GX					
Rated Voltage(V)	1.5	3	6	9	12	24
Voltage Range(V)	1.3~2.5	2.5~4	4~8	8~10	10~13	15~28
Rated Current(mA)	≤20	≤35	≤32	≤20	≤25	≤45
Sound Output(dB)	≥80	≥85	≥85	≥85	≥85	≥85
Resonant Freq(Hz)	2300±300	2300±300	2300±300	2300±300	2300±300	2300±300
Operating Temp(°C)	-20~+45	-20~+45	-20~+45	-20~+45	-20~+45	-20~+45
Storage Temp(°C)	-20~+60	-20~+60	-20~+60	-20~+60	-20~+60	-20~+60
Weight(g)	2	2	2	2	2	2



YMD-12065-G

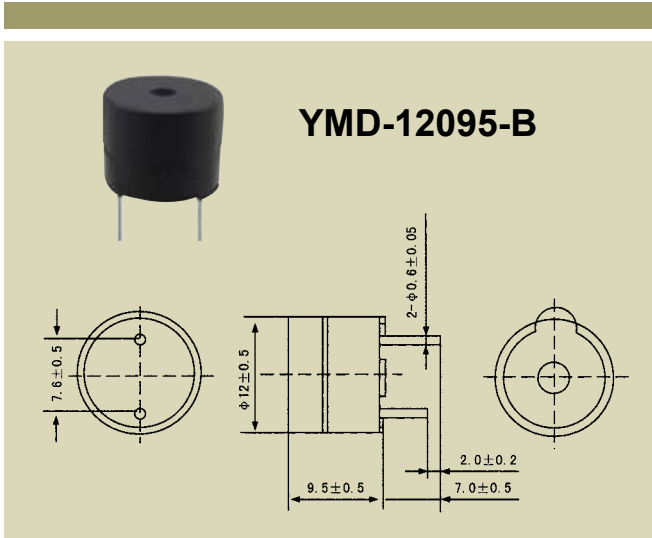
Type	YMD-12065-G					
Rated Voltage(V)	1.5	3	5	6	9	12
Voltage Range(V)	1.2~2.5	2.5~4	4~7	5~8	8~11	10~13
Rated Current(mA)	≤20	≤35	≤28	≤32	≤20	≤25
Sound Output(dB)	≥80	≥85	≥85	≥85	≥85	≥85
Resonant Freq(Hz)	2600±300	2600±300	2600±300	2600±300	2600±300	2600±300
Operating Temp(°C)	-20~+45	-20~+45	-20~+45	-20~+45	-20~+45	-20~+45
Storage Temp(°C)	-20~+60	-20~+60	-20~+60	-20~+60	-20~+60	-20~+60
Weight(g)	1.5	1.5	1.5	1.5	1.5	1.5



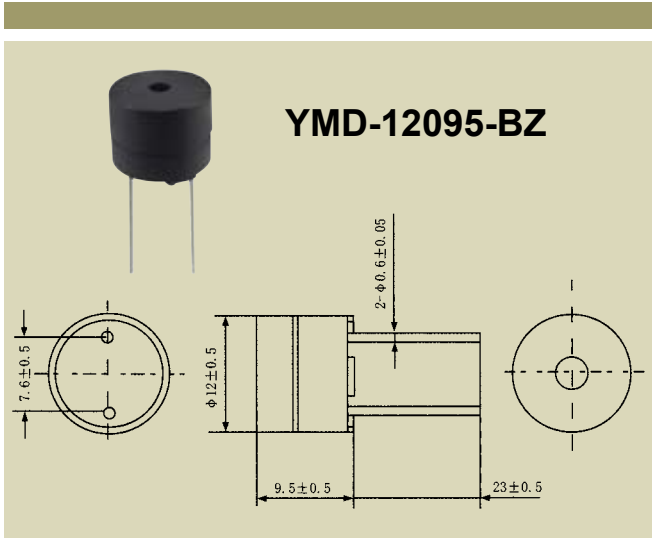
YMD-12065-GX

Type	YMD-12065-GX					
Rated Voltage(V)	1.5	3	5	6	9	12
Voltage Range(V)	1.2~2.5	2.5~4	4~7	5~8	8~11	10~13
Rated Current(mA)	≤20	≤35	≤28	≤32	≤20	≤25
Sound Output(dB)	≥80	≥85	≥85	≥85	≥85	≥85
Resonant Freq(Hz)	2600±300	2600±300	2600±300	2600±300	2600±300	2600±300
Operating Temp(°C)	-20~+45	-20~+45	-20~+45	-20~+45	-20~+45	-20~+45
Storage Temp(°C)	-20~+60	-20~+60	-20~+60	-20~+60	-20~+60	-20~+60
Weight(g)	1.5	1.5	1.5	1.5	1.5	1.5

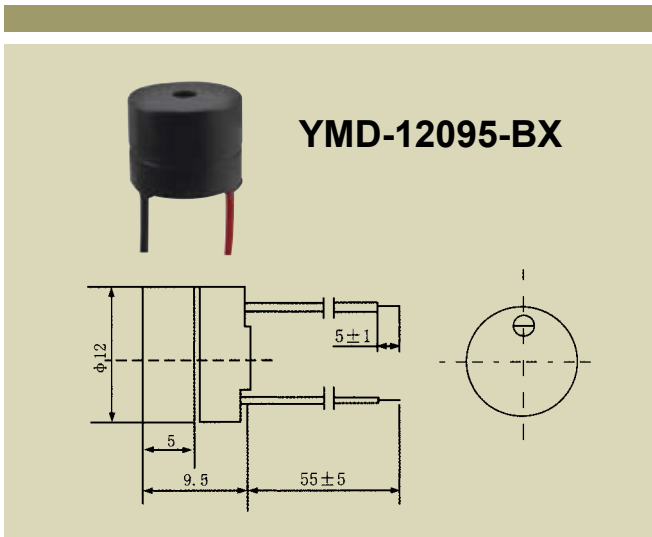
BUZZER



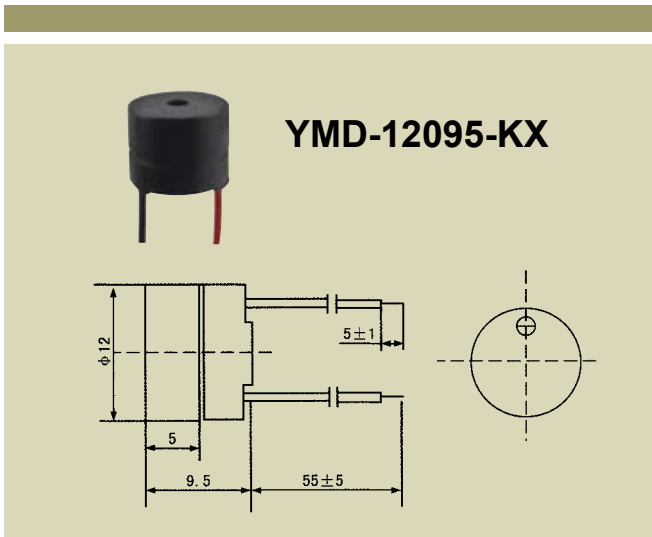
Type	YMD-12095-B				
Rated Voltage(V)	6	12	24	36	48
Voltage Range(V)	4~8	10~13	15~28	24~37	36~49
Rated Current(mA)	≤40	≤65	≤45	≤65	≤40
Sound Output(dB)	≥90	≥90	≥90	≥90	≥90
Resonant Freq(Hz)	2300±300	2300±300	2300±300	2300±300	2300±300
Operating Temp(°C)	-20~+40	-20~+40	-20~+40	-20~+40	-20~+40
Storage Temp(°C)	-20~+60	-20~+60	-20~+60	-20~+60	-20~+60
Weight(g)	2	2	2	2	2



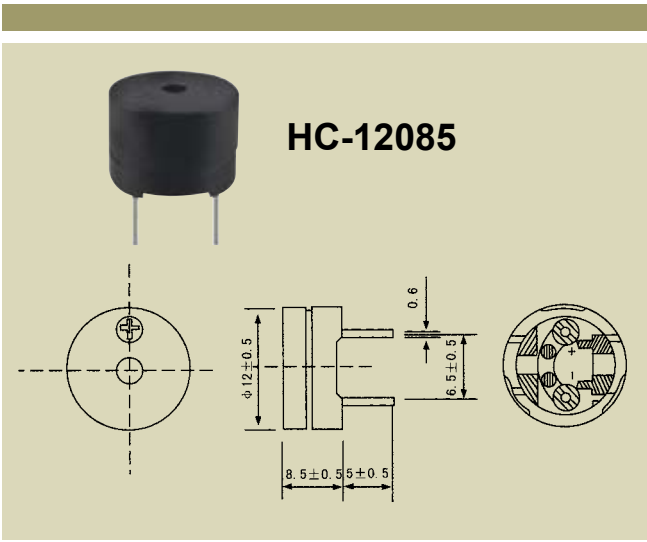
Type	YMD-12095-BZ		
Rated Voltage(V)	6	12	24
Voltage Range(V)	4~8	10~13	15~28
Rated Current(mA)	≤40	≤75	≤45
Sound Output(dB)	≥90	≥90	≥90
Resonant Freq(Hz)	2300±300	2300±300	2300±300
Operating Temp(°C)	-20~+40	-20~+40	-20~+40
Storage Temp(°C)	-20~+60	-20~+60	-20~+60
Weight(g)	2	2	2



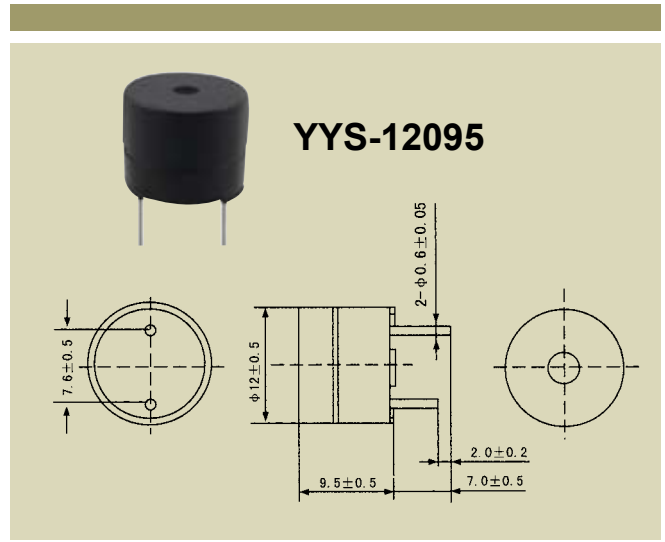
Type	YMD-12095-BX		
Rated Voltage(V)	6	12	24
Voltage Range(V)	5-12	8~15	15~28
Rated Current(mA)	≤40	≤65	≤45
Sound Output(dB)	≥92	≥95	≥90
Resonant Freq(Hz)	2300±300	2300±300	2300±300
Operating Temp(°C)	-20~+40	-20~+40	-20~+40
Storage Temp(°C)	-20~+60	-20~+60	-20~+60
Weight(g)	2	2	2



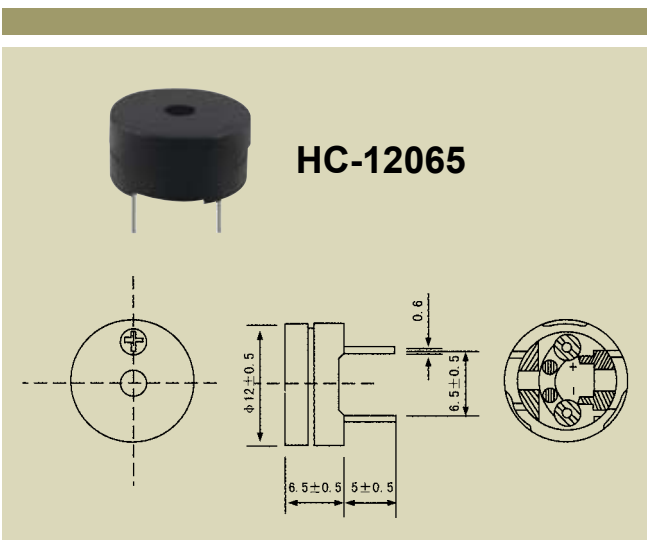
Type	YMD-12095-KX					
Rated Voltage(V)	3	6	9	12	24	36
Voltage Range(V)	2.5~4	4~8	8~10	10~13	15~28	30~45
Rated Current(mA)	≤35	≤32	≤20	≤25	≤45	≤65
Sound Output(dB)	≥85	≥85	≥85	≥85	≥85	≥90
Resonant Freq(Hz)	2300±300	2300±300	2300±300	2300±300	2300±300	2300±300
Operating Temp(°C)	-20~+45	-20~+45	-20~+45	-20~+45	-20~+40	-20~+40
Storage Temp(°C)	-20~+60	-20~+60	-20~+60	-20~+60	-20~+60	-20~+60
Weight(g)	2	2	2	2	2	2



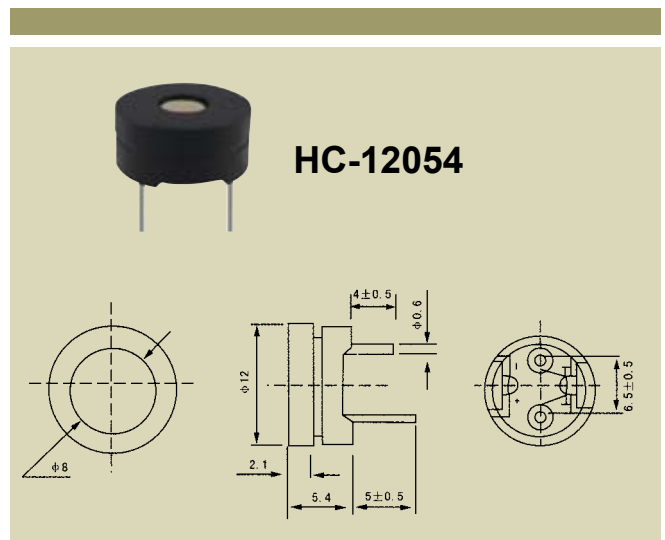
Type	HC-12085				
	6.5Ω	8Ω	16Ω	42Ω	60Ω
Rated Voltage(V)	1.5	1.5	1.5	1.5	1.5
Rated Current(mA)	≤70	≤60	≤30	≤15	≤10
Coil Resistance(Ω)	6.5±1	8±1	16±1	42±2	60±2
Sound Output(dB)	≥85	≥85	≥85	≥80	≥75
Resonant Freq(Hz)	2048	2048	2048	2048	2048
Operating Temp(°C)	-20~+45	-20~+45	-20~+45	-20~+45	-20~+45
Storage Temp(°C)	-20~+60	-20~+60	-20~+60	-20~+60	-20~+60
Weight(g)	1.5	1.5	1.5	1.5	1.5



Type	YY5-12095					
	Song Name	Für Elise	Lambada	Christmas	Titanic	Sweet Home
Rated Voltage(V)	3	3	3	3	3	3
Voltage Range(V)	2.5~3.5	2.5~3.5	2.5~3.5	2.5~3.5	2.5~3.5	2.5~3.5
Rated Current(mA)	≤45	≤45	≤45	≤45	≤45	≤45
Sound Output(dB)	≥85	≥85	≥85	≥85	≥85	≥85
Resonant Freq(Hz)	2000±200	2000±200	2000±200	2000±200	2000±200	2000±200
Operating Temp(°C)	-20~+45	-20~+45	-20~+45	-20~+45	-20~+45	-20~+45
Storage Temp(°C)	-20~+60	-20~+60	-20~+60	-20~+60	-20~+60	-20~+60
Weight(g)	2	2	2	2	2	2



Type	HC-12065			
	6.5Ω	8Ω	16Ω	42Ω
Rated Voltage(V)	1.5	1.5	1.5	1.5
Rated Current(mA)	≤70	≤60	≤30	≤15
Coil Resistance(Ω)	6.5±1	8±1	16±1	42±2
Sound Output(dB)	≥85	≥85	≥85	≥80
Resonant Freq(Hz)	2048	2048	2048	2048
Operating Temp(°C)	-20~+45	-20~+45	-20~+45	-20~+45
Storage Temp(°C)	-20~+60	-20~+60	-20~+60	-20~+60
Weight(g)	1.4	1.4	1.4	1.4

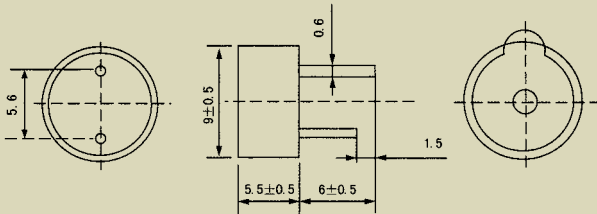


Type	HC-12054			
	6.5Ω	8Ω	16Ω	42Ω
Rated Voltage(V)	1.5	1.5	1.5	1.5
Rated Current(mA)	≤70	≤60	≤30	≤15
Coil Resistance(Ω)	6.5±1	8±1	16±1	42±2
Sound Output(dB)	≥85	≥85	≥85	≥80
Resonant Freq(Hz)	2048	2048	2048	2048
Operating Temp(°C)	-20~+45	-20~+45	-20~+45	-20~+45
Storage Temp(°C)	-20~+60	-20~+60	-20~+60	-20~+60
Weight(g)	1.4	1.4	1.4	1.4

BUZZER



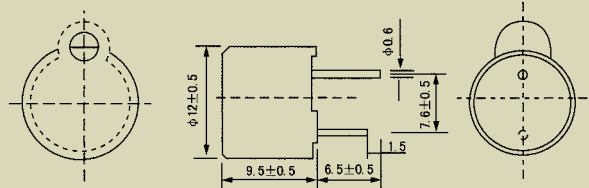
HC-09-B



Type	HC-09-B			
Rated Voltage(V)	1.5	1.5	1.5	3
Voltage Range (V)	1~3	1~3	1~3	3~5
Rated Current(mA)	≤85	≤65	≤45	≤35
Coil Resistance(Ω)	5.5	8	16	42
Sound Output(dB)	≥75	≥75	≥80	≥80
Resonant Freq(Hz)	2731	2731	2731	2731
Operating Temp(°C)	-20~+60	-20~+60	-20~+60	-20~+60
Storage Temp(°C)	-30~+70	-30~+70	-30~+70	-30~+70
Weight(g)	1	1	1	1



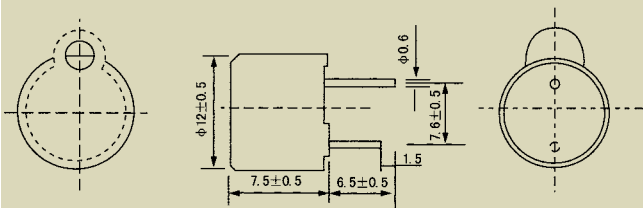
TMB12A



Type	TMB-12A01	TMB-12A03	TMB-12A05	TMB-12A12	TMB-12A24	TMB-12A24
Rated Voltage(V)	1.5	3	5	12	24	24
Voltage Range(V)	1.2~2.5	2.5~4	4~7	8~15	15~28	15~28
Rated Current(mA)	≤20	≤35	≤30	≤25	≤45	≤30
Sound Output(dB)	≥80	≥82	≥85	≥85	≥85	≥85
Resonant Freq(Hz)	2300±500	2300±500	2300±500	2300±500	2300±500	2300±500
Operating Temp(°C)	-20~+60	-20~+60	-20~+60	-20~+60	-20~+75	-20~+75
Storage Temp(°C)	-20~+80	-20~+80	-20~+80	-20~+80	-20~+85	-20~+85
Weight(g)	2	2	2	2	2	2



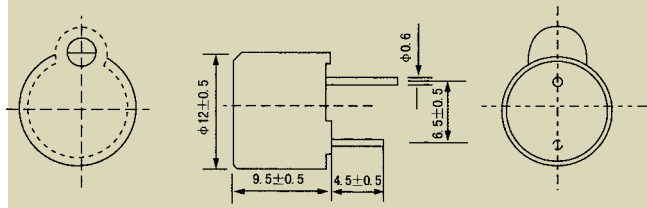
TMB12D



Type	TMB-12D01	TMB-12D03	TMB-12D05	TMB-12D012
Rated Voltage(V)	1.5	3	5	12
Voltage Range (V)	1.4~2	2~5	3~7	9~15
Rated Current(mA)	≤25	≤35	≤30	≤25
Sound Output(dB)	≥75	≥82	≥83	≥83
Resonant Freq(Hz)	2800±500	2800±500	2800±500	2800±500
Operating Temp(°C)	-20~+60	-20~+60	-20~+60	-20~+60
Storage Temp(°C)	-25~+80	-25~+80	-25~+80	-25~+80
Weight(g)	2	2	2	2



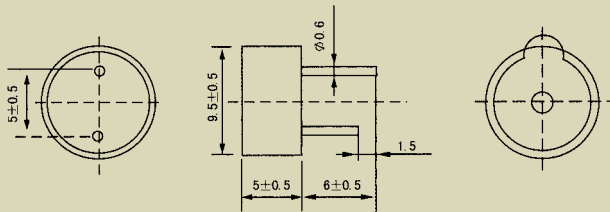
TMB12C



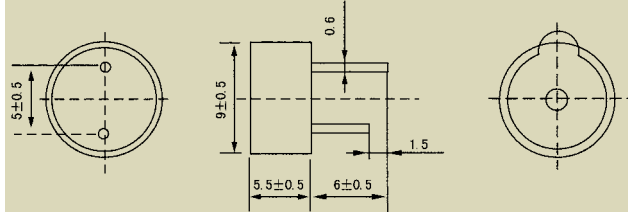
Type	TMB-12C01	TMB-12C05	TMB-12C12
Rated Voltage(V)	1.5	5	12
Voltage Range(V)	1-2	4~8	7~16
Rated Current(mA)	≤70	≤40	≤40
Coil Resistance(Ω)	16±2	40±5	120±5
Sound Output(dB)	≥85	≥85	≥85
Resonant Freq(Hz)	2048	2300±200	2048
Operating Temp(°C)	-20~+60	-20~+60	-20~+60
Storage Temp(°C)	-20~+70	-20~+70	-20~+70
Weight(g)	2	2	2



TMB9.5A

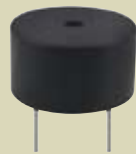


TMB09A

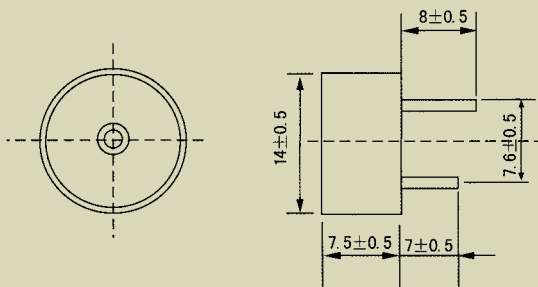


Type	TMB9.5A		
Rated Voltage(V)	3	5	12
Voltage Range(V)	2.5-4	4~7	8~15
Rated Current(mA)	≤35	≤30	≤30
Sound Output(dB)	≥80	≥83	≥85
Resonant Freq(Hz)	2600 ± 300	2600 ± 300	2600 ± 300
Operating Temp(°C)	-20~+60	-20~+60	-20~+60
Storage Temp(°C)	-20~+70	-20~+70	-20~+70
Weight(g)	1	1	1

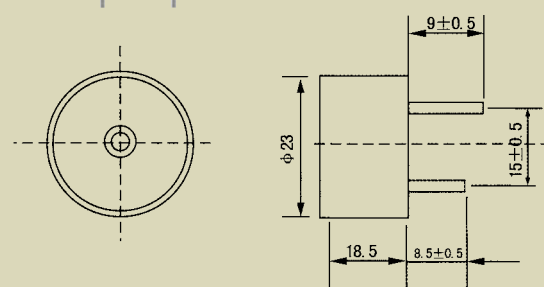
Type	TMB09A		
Rated Voltage(V)	3	5	12
Voltage Range(V)	2.5-4	4~7	8~15
Rated Current(mA)	≤35	≤30	≤30
Sound Output(dB)	≥80	≥83	≥85
Resonant Freq(Hz)	2600 ± 300	2600 ± 300	2600 ± 300
Operating Temp(°C)	-20~+60	-20~+60	-20~+60
Storage Temp(°C)	-20~+70	-20~+70	-20~+70
Weight(g)	1	1	1



SFM-14-I



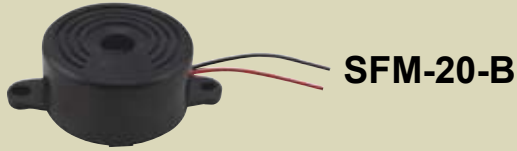
SFM-20-A



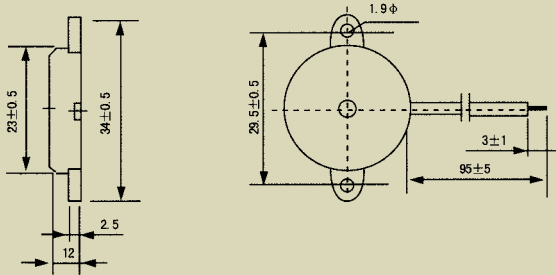
Type	SFM-14-I
Rated Voltage(V)	12
Voltage Range(V)	3-24
Rated Current(mA)	≤10
Sound Output(dB)	≥80
Resonant Freq(Hz)	4500 ± 500
Operating Temp(°C)	-20~+60
Storage Temp(°C)	-30~+70
Weight(g)	2

Type	SFM-20-A
Rated Voltage(V)	12
Voltage Range(V)	3-24
Rated Current(mA)	≤20
Sound Output(dB)	≥90
Resonant Freq(Hz)	3000 ± 500
Operating Temp(°C)	-20~+45
Storage Temp(°C)	-20~+60
Weight(g)	5.5

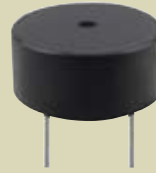
BUZZER



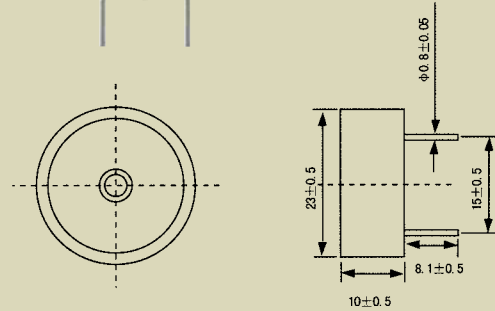
SFM-20-B



Type	SFM-20-B
Rated Voltage(V)	12
Voltage Range(V)	3-24
Rated Current(mA)	≤12
Sound Output(dB)	≥90
Resonant Freq(Hz)	3000 ± 500
Operating Temp(°C)	-20~+45
Storage Temp(°C)	-20~+60
Weight(g)	4



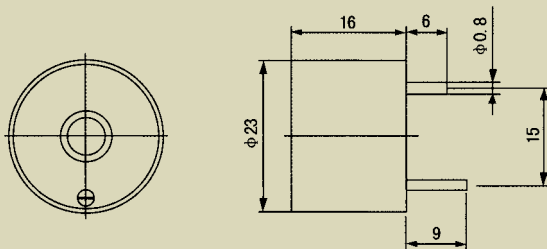
SFM-20-C



Type	SFM-20-C
Rated Voltage(V)	12
Voltage Range(V)	6-24
Rated Current(mA)	≤10
Sound Output(dB)	≥90
Resonant Freq(Hz)	3000 ± 500
Operating Temp(°C)	-20~+45
Storage Temp(°C)	-20~+60
Weight(g)	3.5



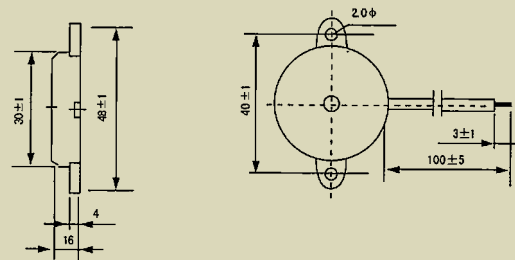
SFM-20-D



Type	SFM-20-D
Rated Voltage(V)	12
Voltage Range(V)	3-24
Rated Current(mA)	≤15
Sound Output(dB)	≥85
Resonant Freq(Hz)	4500 ± 500
Operating Temp(°C)	-20~+60
Storage Temp(°C)	-20~+70
Weight(g)	8

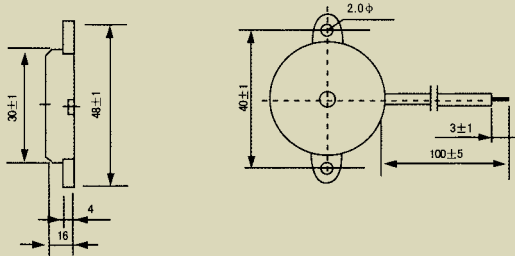


SFM-27-A

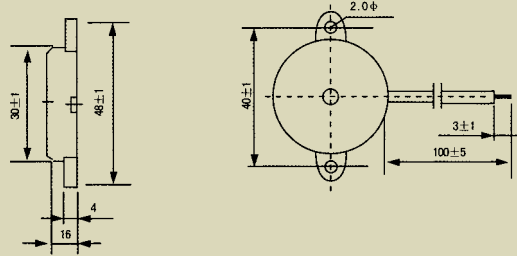


Type	SFM27-IA	SFM27-IIA
Rated Voltage(V)	12	12
Voltage Range(V)	3-24	3-24
Rated Current(mA)	≤12	≤30
Sound Output(dB)	≥95	≥90
Resonant Freq(Hz)	3000 ± 500	3000 ± 500
Operating Temp(°C)	-20~+60	-20~+60
Storage Temp(°C)	-30~+70	-30~+70
Weight(g)	7	7.5

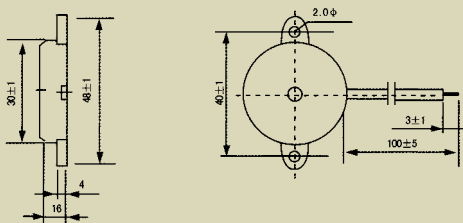
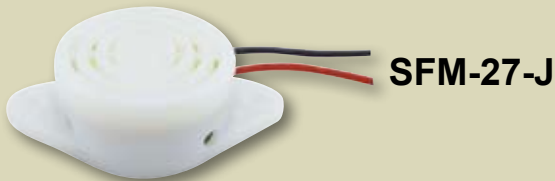
BUZZER



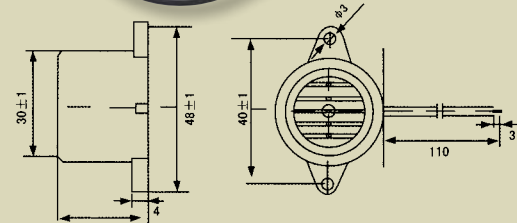
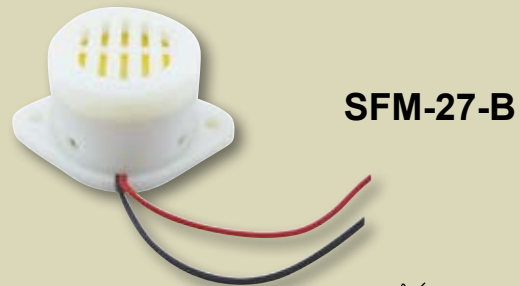
Type	SFM-27-W
Rated Voltage(V)	12
Voltage Range(V)	3-24
Rated Current(mA)	≤12
Sound Output(dB)	≥95
Resonant Freq(Hz)	3000 ± 500
Operating Temp(°C)	-20~+60
Storage Temp(°C)	-30~+70
Weight(g)	7



Type	SFM-27-D
Rated Voltage(V)	12
Voltage Range(V)	3-24
Rated Current(mA)	≤12
Sound Output(dB)	≥95
Resonant Freq(Hz)	3000 ± 500
Operating Temp(°C)	-20~+45
Storage Temp(°C)	-20~+60
Weight(g)	7



Type	SFM-27-J
Rated Voltage(V/AC)	220
Voltage Range(V)	200-240
Sound Output(dB)	≤85
Resonant Freq(Hz)	2300 ± 500
Operating Temp(°C)	-20~+45
Storage Temp(°C)	-20~+60
Weight(g)	7

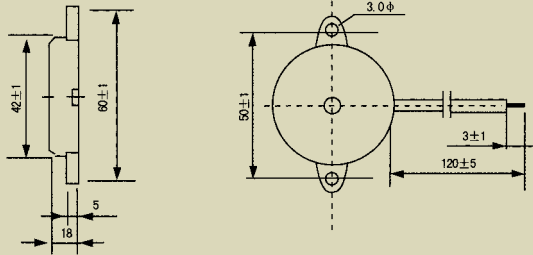


Type	SFM27-IB	SFM27-IIB	SFM27-JB	SFM27-JYB	
Rated Voltage(V)	12	12	220	110	220
Voltage Range(V)	3~24	3~24	200~240 (AC)	100~120 (AC)	200~240 (AC)
Rated Current(mA)	≤12	≤30	-	-	-
Sound Output(dB)	≥95	≥90	≥85	≥85	≥85
Resonant Freq(Hz)	3000±500	3000±500	3000±500 1W	3000±500 1W	3000±500 1W
Operating Temp(°C)	-20~+60	-20~+60	-20~+60	-20~+60	-20~+60
Storage Temp(°C)	-30~+70	-30~+70	-30~+70	-30~+70	-30~+70
Weight(g)	7	7.5	15	15	15

BUZZER



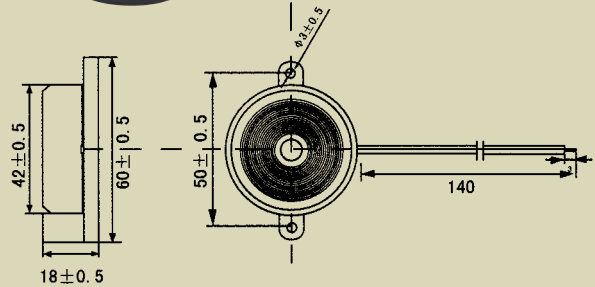
SFM-42-A



Type	SFM42-IA	SFM42-IIA
Rated Voltage(V)	12	12
Voltage Range(V)	3-28	2-16
Rated Current(mA)	≤25	≤15
Sound Output(dB)	≥90	≥90
Resonant Freq(Hz)	3000 ± 500	3000 ± 500
Operating Temp(°C)	-20~+50	-20~+50
Storage Temp(°C)	-30~+80	-30~+80
Weight(g)	14	14



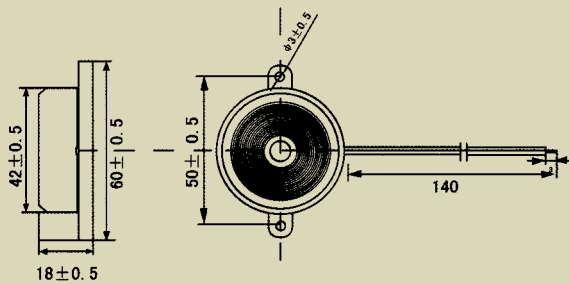
SFM-42-B



Type	SFM42-IB	SFM42-IIB	SFM42-JB
Rated Voltage(V)	12	12	220
Voltage Range(V)	3-28	3-28	200-240(AC)
Rated Current(mA)	≤25	≤15	-
Sound Output(dB)	≥90	≥90	≥85
Resonant Freq(Hz)	3000 ± 500	3000 ± 500	3000±500 1W
Operating Temp(°C)	-20~+50	-20~+50	-20~+60
Storage Temp(°C)	-30~+80	-30~+80	-30~+70
Weight(g)	14	14	25



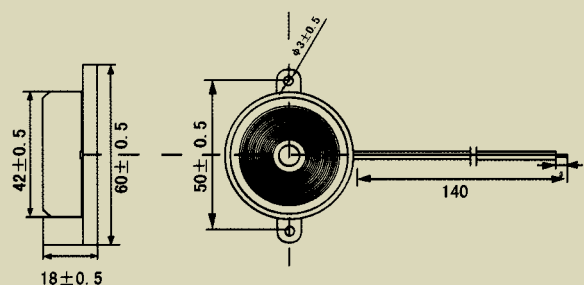
YYS-42



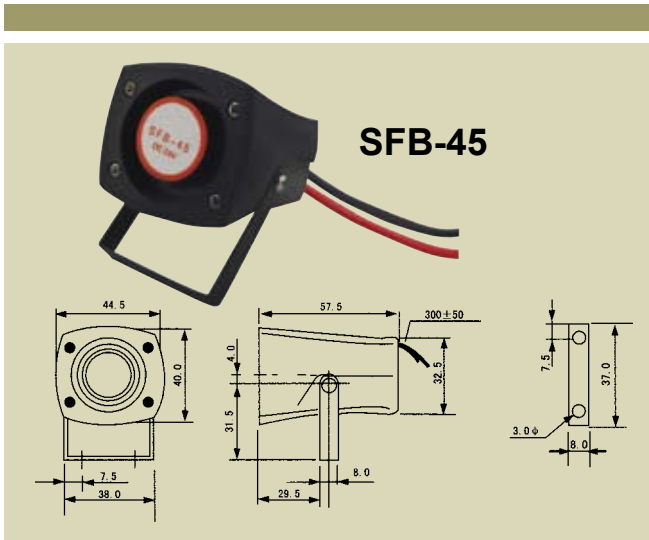
Type	YYS-42					
Song Name	Für Elise	Lambada	Christmas	Titanic	Sweet Home	Happy Birthday
Rated Voltage(V)	12	12	12	12	12	12
Voltage Range(V)	6~16	6~16	6~16	6~16	6~16	6~16
Rated Current(mA)	≤65	≤65	≤65	≤65	≤65	≤65
Sound Output(dB)	≥95	≥95	≥95	≥95	≥95	≥95
Resonant Freq(Hz)	3000 ± 500	3000 ± 500	3000 ± 500	3000 ± 500	3000 ± 500	3000 ± 500
Operating Temp(°C)	-20~+45	-20~+45	-20~+45	-20~+45	-20~+45	-20~+45
Storage Temp(°C)	-30~+60	-30~+60	-30~+60	-30~+60	-30~+60	-30~+60
Weight(g)	15g	15g	15g	15g	15g	15g



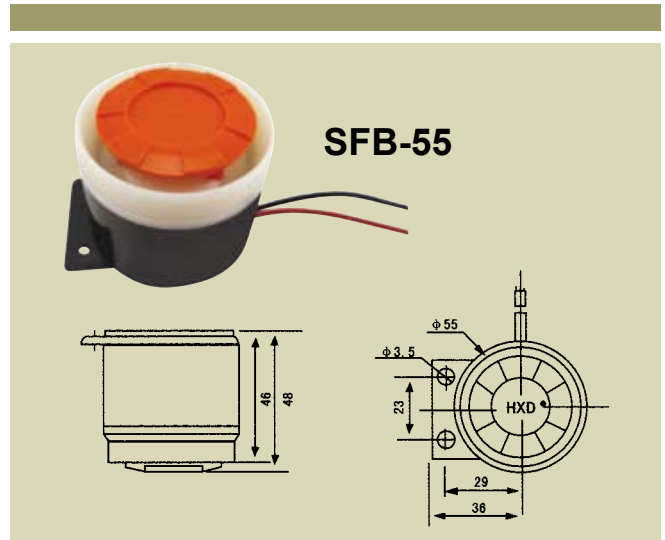
SFB-42



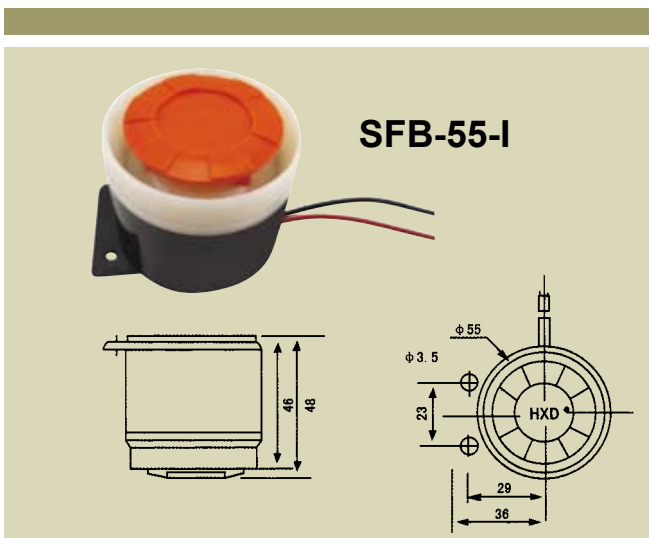
Type	SFB-42
Rated Voltage(V)	12
Voltage Range(V)	10-14
Rated Current(mA)	≤55
Sound Output(dB)	≥90
Resonant Freq(Hz)	3000 ± 500
Operating Temp(°C)	-20~+50
Storage Temp(°C)	-30~+80
Weight(g)	15



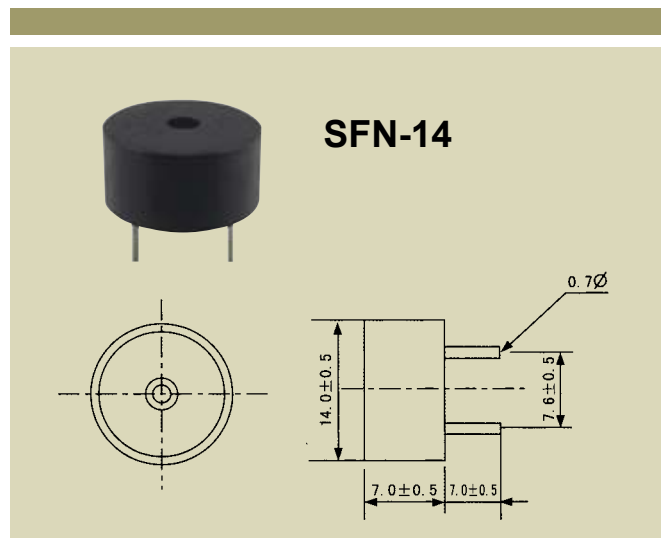
Type	SFB-45	SFB-45
Rated Voltage(V)	12	24
Nominal Current(mA)	130	80
Voltage Range(V)	9-15	20-26
Sound Output(dB)	≥105	≥105
Maximum power(W)	10	9
Sound Modulation	keyboard	keyboard
Operating Temp(°C)	-20~+50	-20~+50
Storage Temp(°C)	-20~+60	-20~+60
Weight(g)	50	50



Type	SFB-55	
Rated Voltage(V)	12	24
Nominal Current(mA)	≤280	≤200
Voltage Range(V)	6-16	18-25
Maximum power(W)	12	15
Sound Output(dB)	≥120	≥110
Operating Temp(°C)	-20~+40	-20~+40
Storage Temp(°C)	-20~+60	-20~+60
Weight(g)	80	80

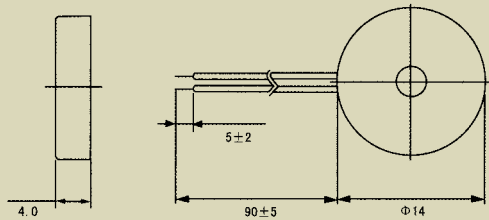


Type	SFB-55-I
Rated Voltage(V)	12
Rated Current(mA)	≤350
Voltage Range(V)	6-16
Sound Output(dB)	≥110
Resonant Freq(Hz)	3000±500
Operating Temp(°C)	-20~+40
Storage Temp(°C)	-20~+60
Weight(g)	80

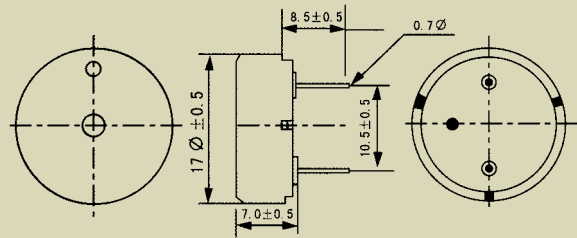


Type	SFN-14
Resonant Freq(±500Hz)	4000
Voltage Range(Vp-p max)	30
Current Consumption(mA maximum)	80 at 12Vp-p/10cm
Current Consumption(mA maximum)	1.5 at 12Vp-p/0.4KHZ
Capactiance(30%pf)	15000
Operating Temperature(°C)	-20~+45
Storage Temperature(°C)	-20~+60
Weight(g)	1.0

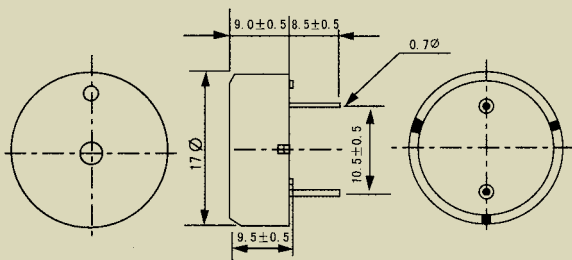
BUZZER



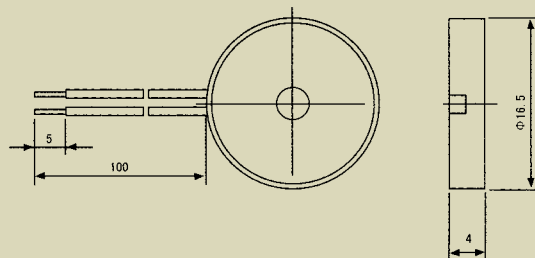
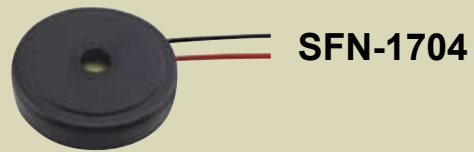
Type	SFN-1404
Resonant Freqeuecny(±500Hz)	4000±500
Voltage Range(Vp-p max)	30
Current Consumption(mA maximum)	80
Current Consumption(mA maximum)	2
Operating Temperature(°C)	-20~+45
Storage Temperature(°C)	-20~+60
Weight(g)	1.0



Type	SFN-17-A
Resonant Freqeuecny(±500Hz)	4500
Voltage Range(Vp-p max)	30
Current Consumption(mA maximum)	80 at 12Vp-p/10cm
Current Consumption(mA maximum)	1.5 at 12Vp-p/0.4KHZ
Capactiance(30%pf)	9500
Operating Temperature(°C)	-20~+45
Storage Temperature(°C)	-20~+60
Weight(g)	1.2



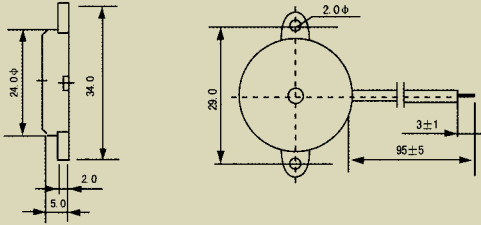
Type	SFN-17-B
Resonant Freqeuecny(±500Hz)	2500
Voltage Range(Vp-p max)	30
Current Consumption(mA maximum)	80 at 12Vp-p/10cm
Current Consumption(mA maximum)	1.5 at 12Vp-p/0.4KHZ
Capactiance(30%pf)	9500
Operating Temperature(°C)	-20~+45
Storage Temperature(°C)	-20~+60
Weight(g)	2.5



Type	SFN-1704
Resonant Freqeuecny(±500Hz)	4000±500
Voltage Range(Vp-p max)	1-30
Current Consumption(mA maximum)	80
Current Consumption(mA maximum)	2
Operating Temperature(°C)	-20~+45
Storage Temperature(°C)	-20~+60
Weight(g)	1.0



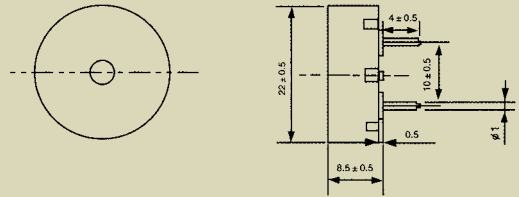
SFN-20-A



Type	SFN-20-A
Resonant Frequency(±500Hz)	4000
Voltage Range(Vp-p max)	30
Current Consumption(mA maximum)	80 at 12Vp-p/10cm
Current Consumption(mA maximum)	3.0 at 12Vp-p/0.4KHZ
Capactiance(30%pf)	10000
Operating Temperature(°C)	-20~+45
Storage Temperature(°C)	-20~+60
Weight(g)	4.0



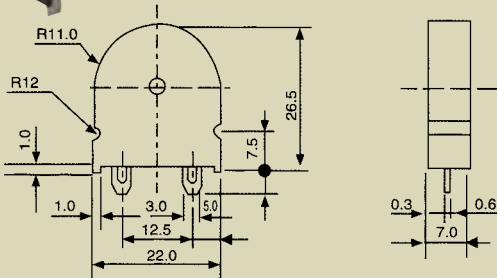
SFN-20-B



Type	SFN-20-B
Resonant Frequency(±500Hz)	4000
Voltage Range(Vp-p max)	30
Current Consumption(mA maximum)	80 at 12Vp-p/10cm
Current Consumption(mA maximum)	3.0 at 12Vp-p/0.4KHZ
Capactiance(30%pf)	10000
Operating Temperature(°C)	-20~+45
Storage Temperature(°C)	-20~+60
Weight(g)	4.0



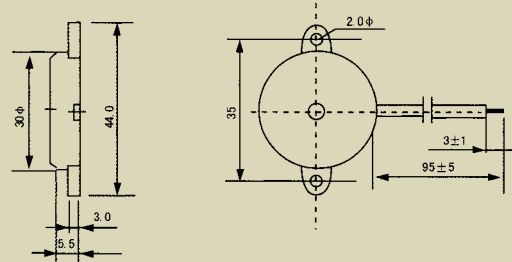
SFN-20-P



Type	SFN-20-P
Resonant Frequency(±500Hz)	2500
Voltage Range(Vp-p max)	25
Current Consumption(mA maximum)	80 at 12Vp-p/10cm
Current Consumption(mA maximum)	4.5 at 12Vp-p/0.4KHZ
Capactiance(30%pf)	25000
Operating Temperature(°C)	-20~+45
Storage Temperature(°C)	-20~+60
Weight(g)	2.0

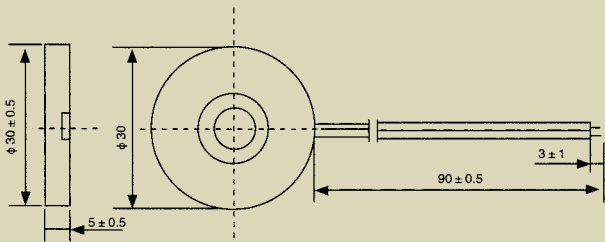


SFN-27

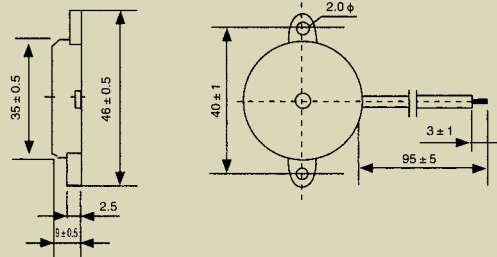


Type	SFN-27
Resonant Frequency(±500Hz)	4000
Voltage Range(Vp-p max)	30
Current Consumption(mA maximum)	80 at 12Vp-p/10cm
Current Consumption(mA maximum)	4.5 at 12Vp-p/0.4KHZ
Capactiance(30%pf)	22000
Operating Temperature(°C)	-20~+45
Storage Temperature(°C)	-20~+60
Weight(g)	3.5

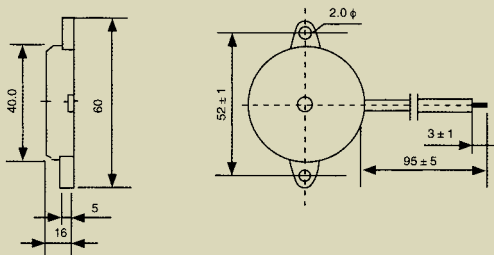
BUZZER



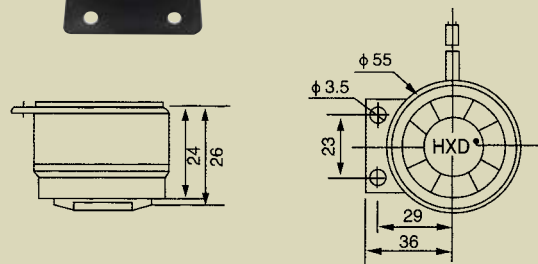
Type	SFN-30
Resonant Frequency(±500Hz)	4000
Voltage Range(Vp-p max)	30
Current Consumption(mA maximum)	90 at 12Vp-p/10cm
Current Consumption(mA maximum)	4.5 at 12Vp-p/0.4KHZ
Capactiance(30%pt)	16000
Operating Temperature(°C)	-20~+45
Storage Temperature(°C)	-20~+60
Weight(Gram)	5.0



Type	SFN-35
Resonant Frequency(±500Hz)	2500
Voltage Range(Vp-p max)	40
Current Consumption(mA maximum)	90 at 12Vp-p/10cm
Current Consumption(mA maximum)	4.5 at 12Vp-p/0.4KHZ
Capactiance(30%pt)	22000
Operating Temperature(°C)	-20~+45
Storage Temperature(°C)	-20~+60
Weight(Gram)	5.0



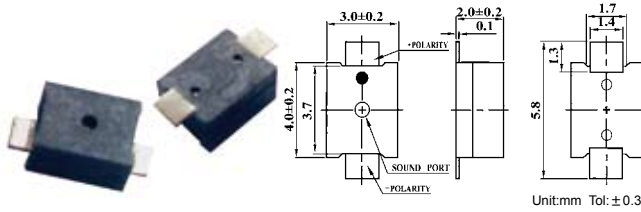
Type	SFN-42
Resonant Frequency(±500Hz)	2500
Voltage Range(Vp-p max)	40
Current Consumption(mA maximum)	90 at 12Vp-p/10cm
Current Consumption(mA maximum)	5.0 at 12Vp-p/0.4KHZ
Capactiance(30%pt)	25000
Operating Temperature(°C)	-20~+50
Storage Temperature(°C)	-20~+60
Weight(Gram)	10



Type	SFN-55
Resonant Frequency(±500Hz)	2500
Voltage Range(Vp-p max)	40
Current Consumption(mA maximum)	110 at 12Vp-p/10cm
Current Consumption(mA maximum)	5.0 at 12Vp-p/0.4KHZ
Capactiance(30%pt)	25000
Operating Temperature(°C)	-20~+50
Storage Temperature(°C)	-20~+60
Weight(Gram)	10

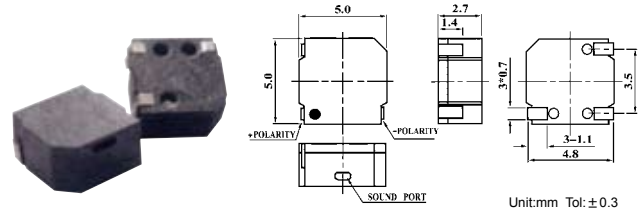
SMD BUZZER

SMD-040020F-03040



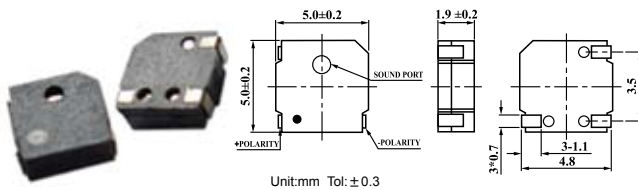
Item	Unit	SMD-040020F-03040
Oscillation Frequency	Hz	4000
Operating Voltage	Vo-p	2~4
Rated Voltage	Vo-p	3
Current Consumption	mA	Max.130
Sound Pressure Level	dB	Min.70 at Rated Voltage at 10cm
Coil Resistance	Ω	12 ± 3
Dimension	mm	4x3xH2
Operating Temperature	℃	-20~+70
Weight(Max)	gram	0.3

SMD-050027H-03040



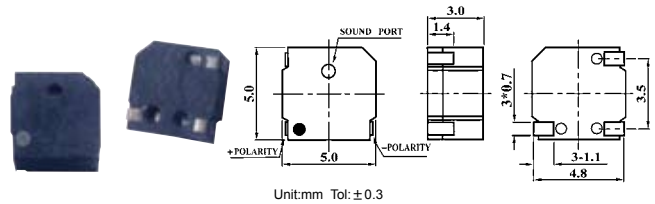
Item	Unit	SMD-050027H-03040
Oscillation Frequency	Hz	4000
Operating Voltage	Vo-p	2~4
Rated Voltage	Vo-p	3
Current Consumption	mA	Max.110
Sound Pressure Level	dB	Min.78 at Rated Voltage at 10cm
Coil Resistance	Ω	12 ± 3
Dimension	mm	5.0x5.0xH2.7
Operating Temperature	℃	-20~+70
Weight(Max)	gram	0.5

SMD-050020F-03040



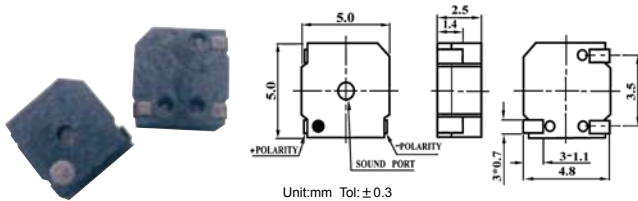
Item	Unit	SMD-050020F-03040
Oscillation Frequency	Hz	4000
Operating Voltage	Vo-p	2~4
Rated Voltage	Vo-p	3
Current Consumption	mA	Max.110
Sound Pressure Level	dB	Min.75 at Rated Voltage at 10cm
Coil Resistance	Ω	12 ± 3
Dimension	mm	5.0x5.0xH1.9
Operating Temperature	℃	-20~+70
Weight(Max)	gram	0.5

SMD-050030F-03040



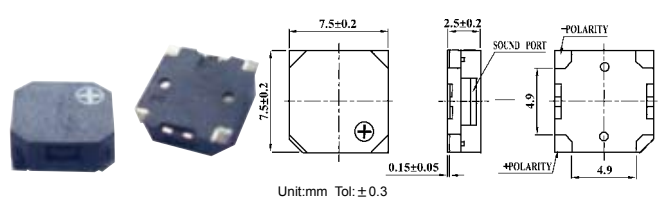
Item	Unit	SMD-050030F-03040
Oscillation Frequency	Hz	4000
Operating Voltage	Vo-p	2~4
Rated Voltage	Vo-p	3
Current Consumption	mA	Max.110
Sound Pressure Level	dB	Min.80 at Rated Voltage at 10cm
Coil Resistance	Ω	12 ± 3
Dimension	mm	5.0x5.0xH3
Operating Temperature	℃	-20~+70
Weight(Max)	gram	0.5

SMD-050025F-03040



Item	Unit	SMD-050025F-03040
Oscillation Frequency	Hz	4000
Operating Voltage	Vo-p	2~4
Rated Voltage	Vo-p	3
Current Consumption	mA	Max.110
Sound Pressure Level	dB	Min.75 at Rated Voltage at 10cm
Coil Resistance	Ω	12 ± 3
Dimension	mm	5.0x5.0xH2.5
Operating Temperature	℃	-20~+70
Weight(Max)	gram	0.5

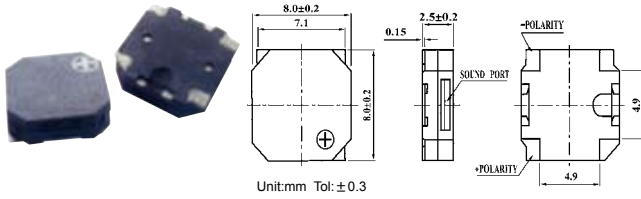
SMD-075025H-03627



Item	Unit	SMD-075025H-03627
Oscillation Frequency	Hz	2700
Operating Voltage	Vo-p	2.5~4.5
Rated Voltage	Vo-p	3.6
Current Consumption	mA	Max.100
Sound Pressure Level	dB	Min.85 at Rated Voltage at 10cm
Coil Resistance	Ω	16 ± 3
Dimension	mm	7.5x7.5xH2.5
Operating Temperature	℃	-20~+70
Weight(Max)	gram	0.8

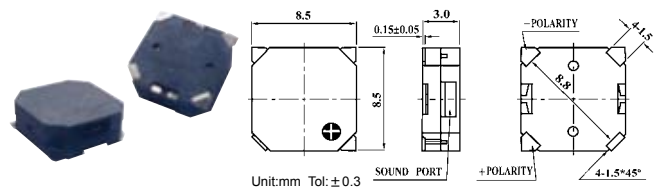
SMD BUZZER

SMD-080025H-03627



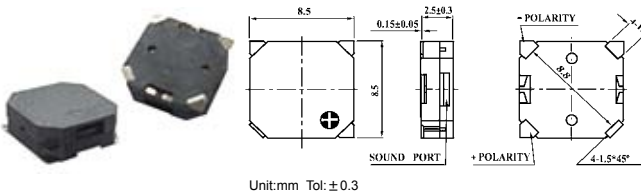
Item	Unit	SMD-080025H-03627
Oscillation Frequency	Hz	2700
Operating Voltage	Vo-p	2.5~4.5
Rated Voltage	Vo-p	3.6
Current Consumption	mA	Max.100
Sound Pressure Level	dB	Min.85 at Rated Voltage at 10cm
Coil Resistance	Ω	16 ± 3
Dimension	mm	8.0x8.0xH2.5
Operating Temperature	℃	-20~+70
Weight(Max)	gram	0.8

SMD-085030H-03627



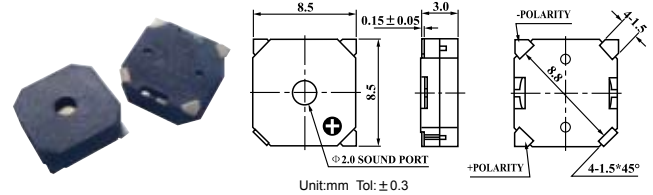
Item	Unit	SMD-085030H-03627
Oscillation Frequency	Hz	2700
Operating Voltage	Vo-p	2.5~4.5
Rated Voltage	Vo-p	3.6
Current Consumption	mA	Max.100
Sound Pressure Level	dB	Min.85 at Rated Voltage at 10cm
Coil Resistance	Ω	16 ± 3
Dimension	mm	8.5x8.5xH3
Operating Temperature	℃	-20~+70
Weight(Max)	gram	0.8

SMD-085025H-03627



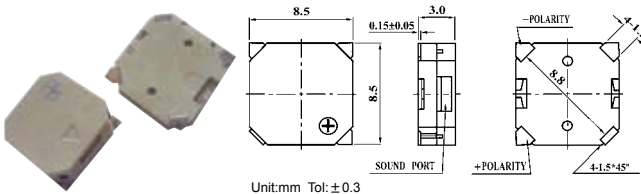
Item	Unit	SMD-085025H-03627
Oscillation Frequency	Hz	2700
Operating Voltage	Vo-p	2.5~4.5
Rated Voltage	Vo-p	3.6
Current Consumption	mA	Max.100
Sound Pressure Level	dB	Min.85 at Rated Voltage at 10cm
Coil Resistance	Ω	16 ± 3
Dimension	mm	8.5x8.5xH2.5
Operating Temperature	℃	-20~+70
Weight(Max)	gram	0.8

SMD-085030F-03627



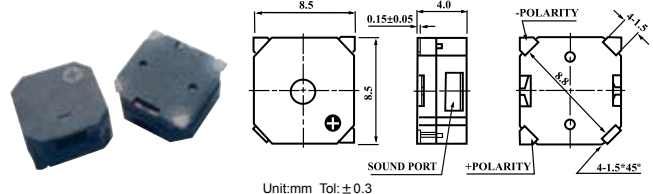
Item	Unit	SMD-085030F-03627
Oscillation Frequency	Hz	2700
Operating Voltage	Vo-p	2.5~4.5
Rated Voltage	Vo-p	3.6
Current Consumption	mA	Max.100
Sound Pressure Level	dB	Min.85 at Rated Voltage at 10cm
Coil Resistance	Ω	16 ± 3
Dimension	mm	8.5x8.5xH3
Operating Temperature	℃	-20~+70
Weight(Max)	gram	0.8

SMD-085030H-03627



Item	Unit	SMD-085030H-03627
Oscillation Frequency	Hz	2700
Operating Voltage	Vo-p	2.5~4.5
Rated Voltage	Vo-p	3.6
Current Consumption	mA	Max.100
Sound Pressure Level	dB	Min.85 at Rated Voltage at 10cm
Coil Resistance	Ω	16 ± 3
Dimension	mm	8.5x8.5xH3
Operating Temperature	℃	-20~+70
Weight(Max)	gram	0.8

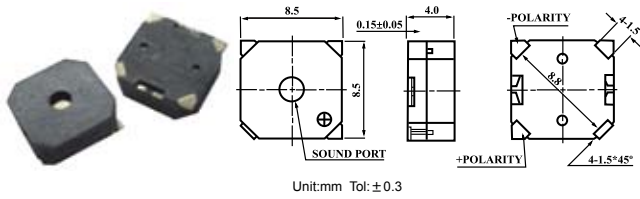
SMD-085040H-03627



Item	Unit	SMD-085040H-03627
Oscillation Frequency	Hz	2700
Operating Voltage	Vo-p	2.5~4.5
Rated Voltage	Vo-p	3.6
Current Consumption	mA	Max.100
Sound Pressure Level	dB	Min.85 at Rated Voltage at 10cm
Coil Resistance	Ω	16 ± 3
Dimension	mm	8.5x8.5xH4
Operating Temperature	℃	-20~+70
Weight(Max)	gram	0.8

SMD BUZZER

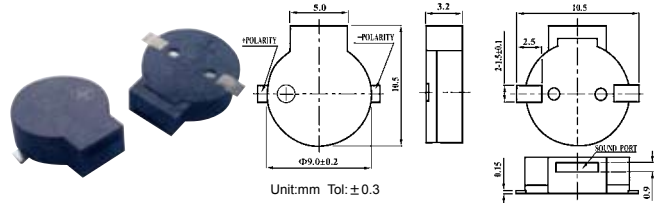
SMD-085040F-03627



Unit:mm Tol:±0.3

Item	Unit	SMD-085040F-03627
Oscillation Frequency	Hz	2700
Operating Voltage	Vo-p	2.5~4.5
Rated Voltage	Vo-p	3.6
Current Consumption	mA	Max.100
Sound Pressure Level	dB	Min.85 at Rated Voltage at 10cm
Coil Resistance	Ω	16 ± 3
Dimension	mm	8.5x8.5xH4
Operating Temperature	℃	-20~+70
Weight(Max)	gram	0.8

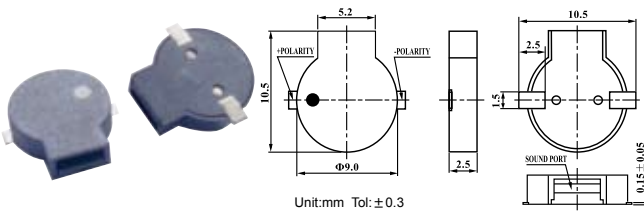
SMD-090032H-03627



Unit:mm Tol:±0.3

Item	Unit	SMD-090032H-03627
Oscillation Frequency	Hz	2700
Operating Voltage	Vo-p	2.5~4.5
Rated Voltage	Vo-p	3.6
Current Consumption	mA	Max.100
Sound Pressure Level	dB	Min.88 at Rated Voltage at 10cm
Coil Resistance	Ω	16 ± 3
Dimension	mm	10.5xΦ9.0xH3.2
Operating Temperature	℃	-20~+70
Weight(Max)	gram	0.8

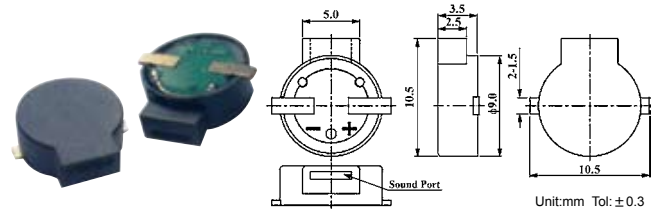
SMD-090025H-03627



Unit:mm Tol:±0.3

Item	Unit	SMD-090025H-03627
Oscillation Frequency	Hz	2700
Operating Voltage	Vo-p	2.5~4.5
Rated Voltage	Vo-p	3.6
Current Consumption	mA	Max.100
Sound Pressure Level	dB	Min.85 at Rated Voltage at 10cm
Coil Resistance	Ω	16 ± 3
Dimension	mm	10.5xΦ9.0xH2.5
Operating Temperature	℃	-20~+70
Weight(Max)	gram	0.8

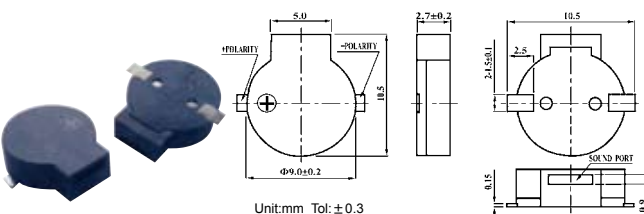
SMD-090035H-03627



Unit:mm Tol:±0.3

Item	Unit	SMD-090035H-03627
Oscillation Frequency	Hz	2700
Operating Voltage	Vo-p	2.5~4.5
Rated Voltage	Vo-p	3.6
Current Consumption	mA	Max.100
Sound Pressure Level	dB	Min.88 at Rated Voltage at 10cm
Coil Resistance	Ω	16 ± 3
Dimension	mm	10.5xΦ9.0xH3.5
Operating Temperature	℃	-20~+70
Weight(Max)	gram	0.8

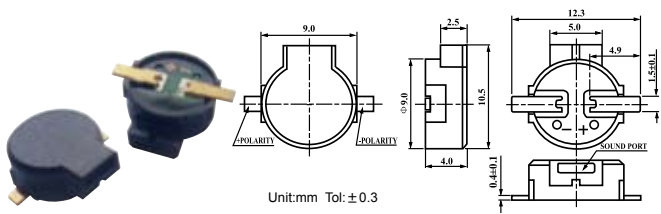
SMD-090027H-03627



Unit:mm Tol:±0.3

Item	Unit	SMD-090027H-03627
Oscillation Frequency	Hz	2700
Operating Voltage	Vo-p	2.5~4.5
Rated Voltage	Vo-p	3.6
Current Consumption	mA	Max.100
Sound Pressure Level	dB	Min.85 at Rated Voltage at 10cm
Coil Resistance	Ω	16 ± 3
Dimension	mm	10.5xΦ9.0xH2.7
Operating Temperature	℃	-20~+70
Weight(Max)	gram	0.8

SMD-090040H-03627

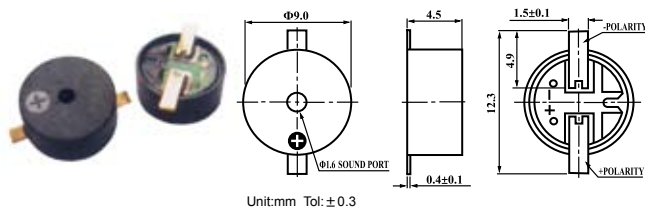


Unit:mm Tol:±0.3

Item	Unit	SMD-090040H-03627
Oscillation Frequency	Hz	2700
Operating Voltage	Vo-p	2.5~4.5
Rated Voltage	Vo-p	3.6
Current Consumption	mA	Max.100
Sound Pressure Level	dB	Min.88 at Rated Voltage at 10cm
Coil Resistance	Ω	16 ± 3
Dimension	mm	10.5xΦ9xH4
Operating Temperature	℃	-20~+70
Weight(Max)	gram	0.8

SMD BUZZER

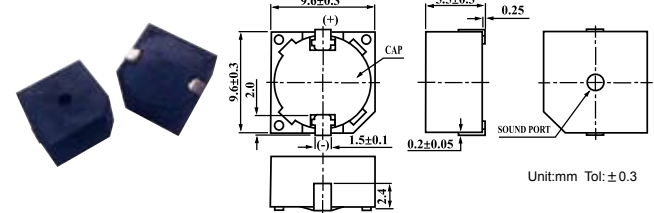
SMD-090045F-03627



Unit:mm Tol:±0.3

Item	Unit	SMD-090045F-03627
Oscillation Frequency	Hz	2700
Operating Voltage	Vo-p	2.5~4.5
Rated Voltage	Vo-p	3.6
Current Consumption	mA	Max.100
Sound Pressure Level	dB	Min.85 at Rated Voltage at 10cm
Coil Resistance	Ω	16 ± 3
Dimension	mm	Φ9xH4.5
Operating Temperature	℃	-20~+70
Weight(Max)	gram	0.8

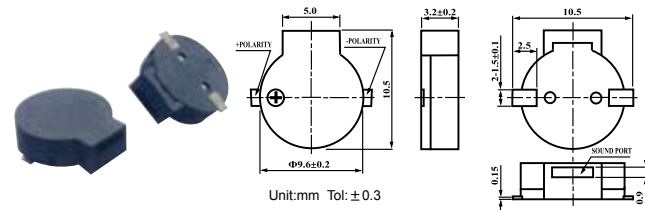
SMD-096055F-05027D



Unit:mm Tol:±0.3

Item	Unit	SMD-096055F-05027D
Oscillation Frequency	KHz	2.7 ± 0.3
Operating Voltage	V _{DC}	4~7
Rated Voltage	V _{DC}	5
Current Consumption	mA	Max.30
Sound Pressure Level	dB	Min.85 at Rated Voltage at 10cm
Tone/Pulse Rate		Constant
Dimension	mm	9.6x9.6xH5.5
Operating Temperature	℃	-20~+70
Weight(Max)	gram	1.5

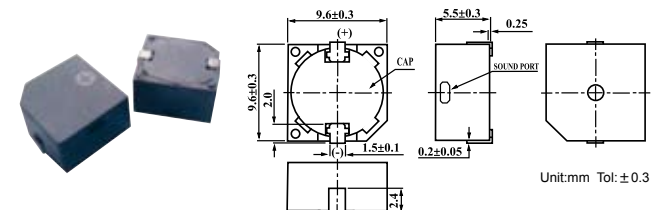
SMD-096032H-03627



Unit:mm Tol:±0.3

Item	Unit	SMD-096032H-03627
Oscillation Frequency	Hz	2700
Operating Voltage	Vo-p	2.5~4.5
Rated Voltage	Vo-p	3.6
Current Consumption	mA	Max.100
Sound Pressure Level	dB	Min.88 at Rated Voltage at 10cm
Coil Resistance	Ω	16 ± 3
Dimension	mm	10.8xΦ9.6xH3.2
Operating Temperature	℃	-20~+70
Weight(Max)	gram	0.8

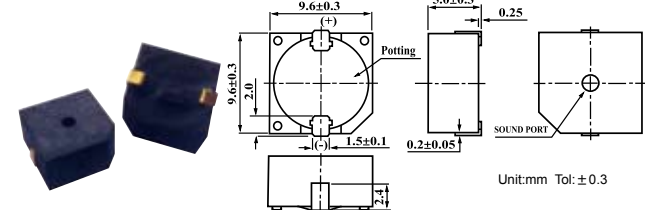
SMD-096055H-05027D



Unit:mm Tol:±0.3

Item	Unit	SMD-096055H-05027D
Oscillation Frequency	KHz	2.7 ± 0.3
Operating Voltage	V _{DC}	4~7
Rated Voltage	V _{DC}	5
Current Consumption	mA	Max.30
Sound Pressure Level	dB	Min.85 at Rated Voltage at 10cm
Tone/Pulse Rate		Constant
Dimension	mm	9.6x9.6xH5.5
Operating Temperature	℃	-20~+70
Weight(Max)	gram	1.5

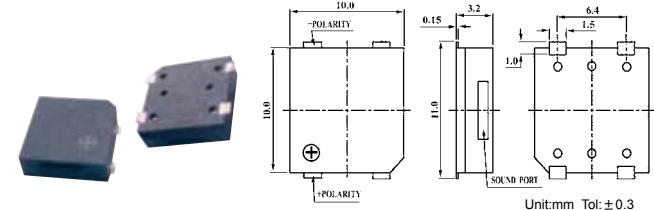
SMD-096050F-05027B



Unit:mm Tol:±0.3

Item	Unit	SMD-096050F-05027B
Oscillation Frequency	KHz	2.7 ± 0.3
Operating Voltage	V _{DC}	4~7
Rated Voltage	V _{DC}	5
Current Consumption	mA	Max.30
Sound Pressure Level	dB	Min.85 at Rated Voltage at 10cm
Tone/Pulse Rate		Constant
Dimension	mm	9.6x9.6xH5
Operating Temperature	℃	-20~+70
Weight(Max)	gram	1.5

SMD-100032H-03627

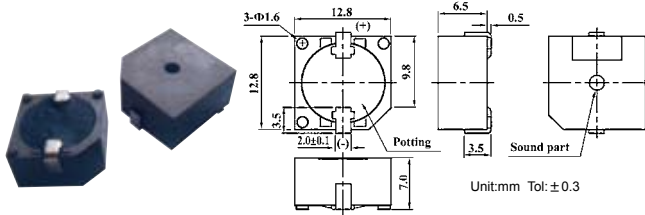


Unit:mm Tol:±0.3

Item	Unit	SMD-100032H-03627
Oscillation Frequency	Hz	2700
Operating Voltage	Vo-p	2.5~4.5
Rated Voltage	Vo-p	3.6
Current Consumption	mA	Max.100
Sound Pressure Level	dB	Min.88 at Rated Voltage at 10cm
Coil Resistance	Ω	16 ± 3
Dimension	mm	10x10xH3.2
Operating Temperature	℃	-20~+70
Weight(Max)	gram	1.0

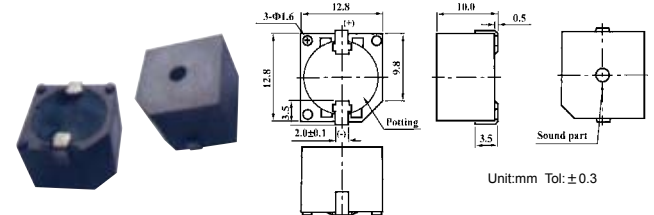
SMD BUZZER

SMD-128065F-05024B



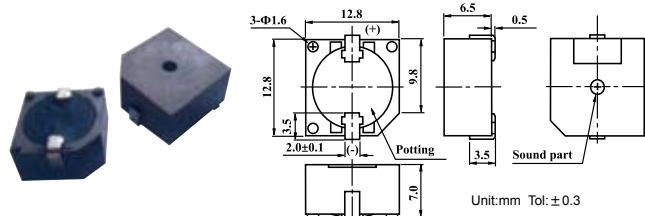
Item	Unit	SMD-128065F-05024B
Oscillation Frequency	KHz	2.4 ± 0.3
Operating Voltage	V _{DC}	4~7
Rated Voltage	V _{DC}	5
Current Consumption	mA	Max.30
Sound Pressure Level	dB	Min.85 at Rated Voltage at 10cm
Tone/Pulse Rate		Constant
Dimension	mm	12.8x12.8xH7
Operating Temperature	°C	-20~+70
Weight(Max)	gram	2.0

SMD-128100F-12024B



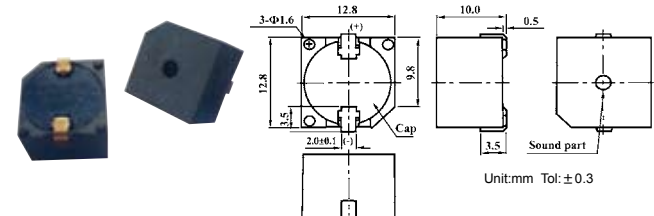
Item	Unit	SMD-128100F-12024B
Oscillation Frequency	KHz	2.4 ± 0.3
Operating Voltage	V _{DC}	8~16
Rated Voltage	V _{DC}	12
Current Consumption	mA	Max.30
Sound Pressure Level	dB	Min.88 at Rated Voltage at 10cm
Tone/Pulse Rate		Constant
Dimension	mm	12.8x12.8xH10
Operating Temperature	°C	-20~+70
Weight(Max)	gram	2.5

SMD-128065F-05024



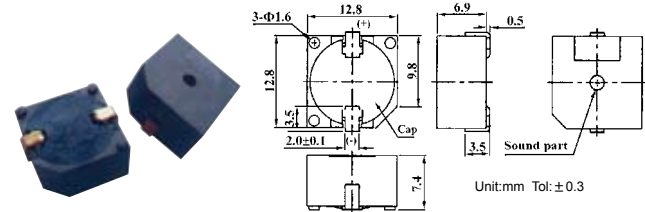
Item	Unit	SMD-128065F-05024
Oscillation Frequency	Hz	2400
Operating Voltage	Vo-p	4~7
Rated Voltage	Vo-p	5
Current Consumption	mA	Max.50
Sound Pressure Level	dB	Min.85 at Rated Voltage at 10cm
Coil Resistance	Ω	25 ± 3
Dimension	mm	12.8x12.8xH7
Operating Temperature	°C	-20~+70
Weight(Max)	gram	2.0

SMD-128100F-05024D



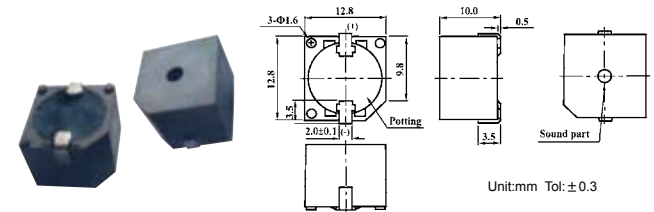
Item	Unit	SMD-128100F-05024D
Oscillation Frequency	KHz	2.4 ± 0.3
Operating Voltage	V _{DC}	4~7
Rated Voltage	V _{DC}	5
Current Consumption	mA	Max.30
Sound Pressure Level	dB	Min.85 at Rated Voltage at 10cm
Tone/Pulse Rate		Constant
Dimension	mm	12.8x12.8xH10
Operating Temperature	°C	-20~+70
Weight(Max)	gram	2.5

SMD-128070F-05024D



Item	Unit	SMD-128070F-05024D
Oscillation Frequency	KHz	2.4 ± 0.3
Operating Voltage	V _{DC}	4~7
Rated Voltage	V _{DC}	5
Current Consumption	mA	Max.30
Sound Pressure Level	dB	Min.85 at Rated Voltage at 10cm
Tone/Pulse Rate		Constant
Dimension	mm	12.8x12.8xH7.4
Operating Temperature	°C	-20~+70
Weight(Max)	gram	2.0

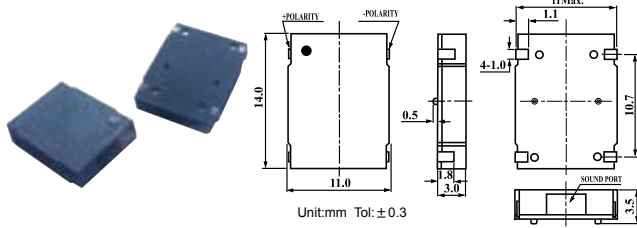
SMD-128100F-05024



Item	Unit	SMD-128100F-05024
Oscillation Frequency	Hz	2400
Operating Voltage	Vo-p	4~7
Rated Voltage	Vo-p	5
Current Consumption	mA	Max.50
Sound Pressure Level	dB	Min.85 at Rated Voltage at 10cm
Coil Resistance	Ω	25 ± 3
Dimension	mm	12.8x12.8xH10
Operating Temperature	°C	-20~+70
Weight(Max)	gram	2.5

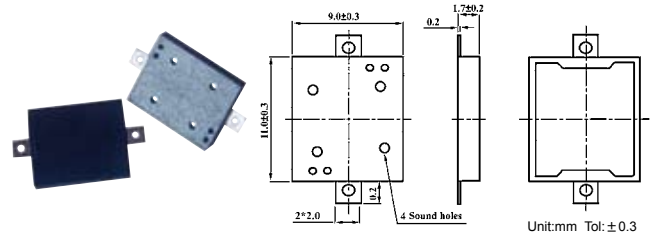
SMD BUZZER

SMD-140035H-05027



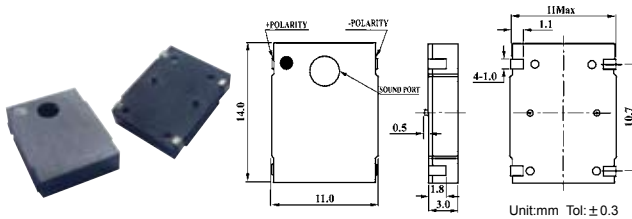
Item	Unit	SMD-140035H-05027
Oscillation Frequency	Hz	2700
Operating Voltage	Vo-p	4~7
Rated Voltage	Vo-p	5
Current Consumption	mA	Max.80
Sound Pressure Level	dB	Min.90 at Rated Voltage at 10cm
Coil Resistance	Ω	30 ± 3
Dimension	mm	14x11xH3
Operating Temperature	$^{\circ}\text{C}$	-20~+70
Weight(Max)	gram	1.0

SMD-110017F-05041T



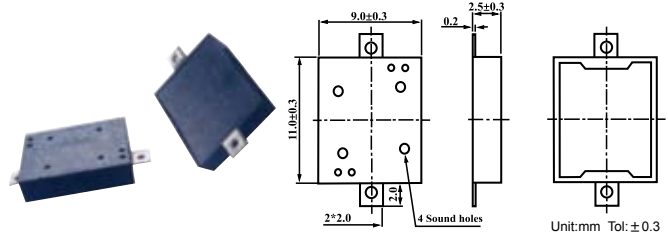
Item	Unit	SMD-110017F-05041T
Oscillation Frequency	Hz	4100
Operating Voltage	Vp-p	1~25
Rated Voltage	Vp-p	5
Current Consumption	mA	Max.3
Sound Pressure Level	dB	Min.75 at Rated Voltage at 10cm
Electrostatic Capacity	pF	$12000 \pm 30\%$ at 120Hz 1V
Dimension	mm	11x9xH1.7
Operating Temperature	$^{\circ}\text{C}$	-20~+70
Weight(Max)	gram	0.3

SMD-140035F-05027



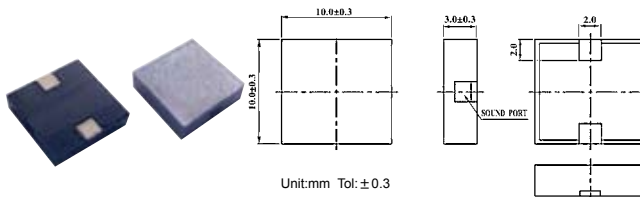
Item	Unit	SMD-140035F-05027
Oscillation Frequency	Hz	2700
Operating Voltage	Vo-p	4~7
Rated Voltage	Vo-p	5
Current Consumption	mA	Max.80
Sound Pressure Level	dB	Min.90 at Rated Voltage at 10cm
Coil Resistance	Ω	30 ± 3
Dimension	mm	14x11xH3
Operating Temperature	$^{\circ}\text{C}$	-20~+70
Weight(Max)	gram	1.0

SMD-110025F-05041T



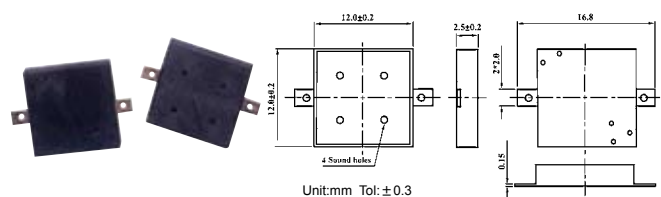
Item	Unit	SMD-110025F-05041T
Oscillation Frequency	Hz	4100
Operating Voltage	Vp-p	1~25
Rated Voltage	Vp-p	5
Current Consumption	mA	Max.3
Sound Pressure Level	dB	Min.75 at Rated Voltage at 10cm
Electrostatic Capacity	pF	$12000 \pm 30\%$ at 120Hz 1V
Dimension	mm	11x9xH2.5
Operating Temperature	$^{\circ}\text{C}$	-20~+70
Weight(Max)	gram	0.4

SMD-100030H-05052T



Item	Unit	SMD-100030H-05052T
Oscillation Frequency	Hz	5200
Operating Voltage	Vp-p	1~25
Rated Voltage	Vp-p	5
Current Consumption	mA	Max.3
Sound Pressure Level	dB	Min.70 at Rated Voltage at 10cm
Electrostatic Capacity	pF	$12000 \pm 30\%$ at 120Hz 1V
Dimension	mm	10x10xH3
Operating Temperature	$^{\circ}\text{C}$	-20~+70
Weight(Max)	gram	0.3

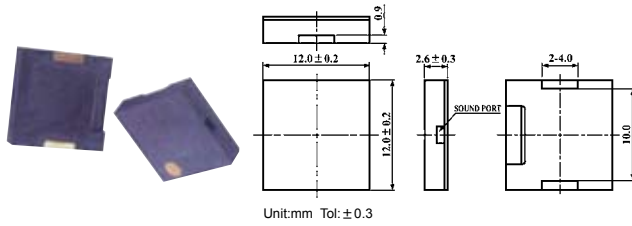
SMD-120025F-09041T



Item	Unit	SMD-120025F-09041T
Oscillation Frequency	Hz	4100
Operating Voltage	Vp-p	1~25
Rated Voltage	Vp-p	9
Current Consumption	mA	Max.3
Sound Pressure Level	dB	Min.78 at Rated Voltage at 10cm
Electrostatic Capacity	pF	$15000 \pm 30\%$ at 120Hz 1V
Dimension	mm	12x12xH2.5
Operating Temperature	$^{\circ}\text{C}$	-20~+70
Weight(Max)	gram	0.5

SMD BUZZER

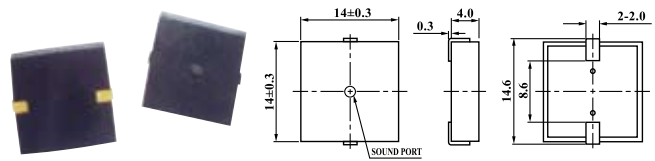
SMD-120026H-05040T



Unit:mm Tol:±0.3

Item	Unit	SMD-120026H-05040T
Oscillation Frequency	Hz	4000
Operating Voltage	Vp-p	1~25
Rated Voltage	Vp-p	5
Current Consumption	mA	Max.5
Sound Pressure Level	dB	Min.75 at Rated Voltage at 10cm
Electrostatic Capacity	pF	16000 ± 30% at 120Hz 1V
Dimension	mm	12x12xH2.6
Operating Temperature	°C	-20~+70
Weight(Max)	gram	0.3

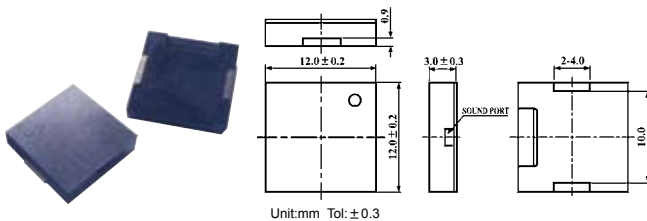
SMD-140040F-05040T



Unit:mm Tol:±0.3

Item	Unit	SMD-140040F-05040T
Oscillation Frequency	Hz	4000
Operating Voltage	Vp-p	1~25
Rated Voltage	Vp-p	5
Current Consumption	mA	Max.2
Sound Pressure Level	dB	Min.75 at Rated Voltage at 10cm
Electrostatic Capacity	pF	12000 ± 30% at 120Hz 1V
Dimension	mm	14x14xH4
Operating Temperature	°C	-20~+70
Weight(Max)	gram	1.2

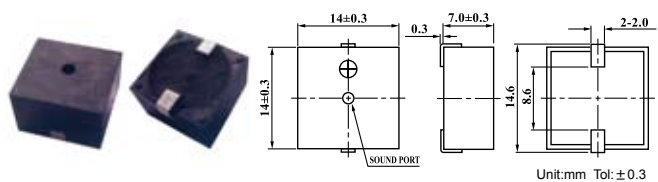
SMD-120030H-05040T



Unit:mm Tol:±0.3

Item	Unit	SMD-120030H-05040T
Oscillation Frequency	Hz	4000
Operating Voltage	Vp-p	1~25
Rated Voltage	Vp-p	5
Current Consumption	mA	Max.5
Sound Pressure Level	dB	Min.75 at Rated Voltage at 10cm
Electrostatic Capacity	pF	16000 ± 30% at 120Hz 1V
Dimension	mm	12x12xH3
Operating Temperature	°C	-20~+70
Weight(Max)	gram	0.3

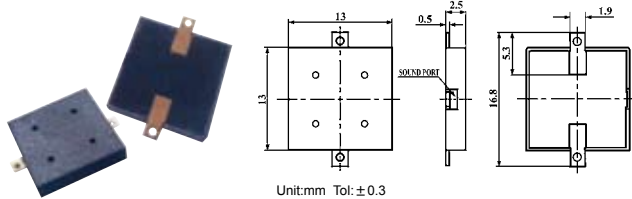
SMD-140070F-12040K



Unit:mm Tol:±0.3

Item	Unit	SMD-140070F-12040K
Oscillation Frequency	KHz	4.0 ± 0.5
Operating Voltage	V _{DC}	3~16
Rated Voltage	V _{DC}	12
Current Consumption	mA	Max.3
Sound Pressure Level	dB	Min.83 at Rated Voltage at 10cm
Tone/Pulse Rate		Constant
Dimension	mm	14x14xH7
Operating Temperature	°C	-20~+70
Weight(Max)	gram	2.0

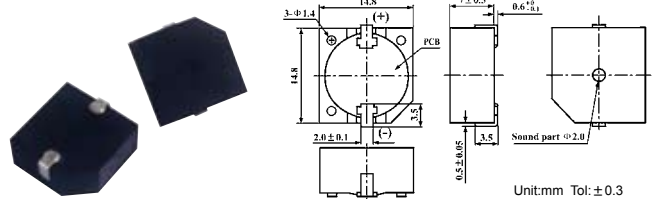
SMD-130025H-05041T



Unit:mm Tol:±0.3

Item	Unit	SMD-130025H-05041T
Oscillation Frequency	Hz	4100
Operating Voltage	Vp-p	1~25
Rated Voltage	Vp-p	5
Current Consumption	mA	Max.5
Sound Pressure Level	dB	Min.75 at Rated Voltage at 10cm
Electrostatic Capacity	pF	15000 ± 30% at 120Hz 1V
Dimension	mm	13x13xH2.5
Operating Temperature	°C	-20~+70
Weight(Max)	gram	0.5

SMD-150070F-07036T

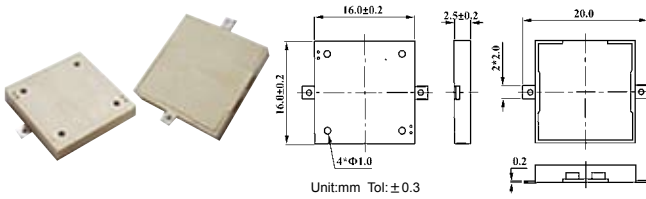


Unit:mm Tol:±0.3

Item	Unit	SMD-150070F-07036T
Oscillation Frequency	Hz	3650
Operating Voltage	Vp-p	3~20
Rated Voltage	Vp-p	7
Current Consumption	mA	Max.3
Sound Pressure Level	dB	Min.85 at Rated Voltage at 10cm
Electrostatic Capacity	pF	15000 ± 30% at 120Hz 1V
Dimension	mm	14.8x14.8xH7
Operating Temperature	°C	-20~+70
Weight(Max)	gram	2.0

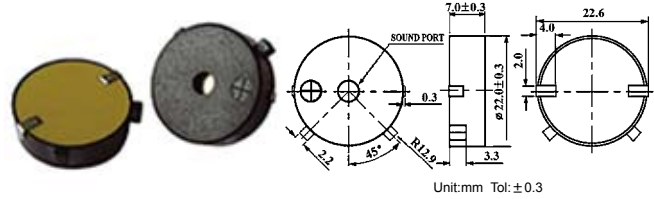
SMD BUZZER

SMD-160025F-05041T



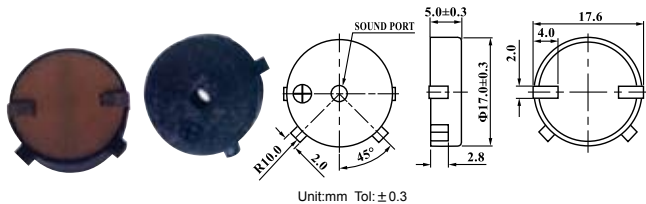
Item	Unit	SMD-160025F-05041T
Oscillation Frequency	Hz	4000
Operating Voltage	Vp-p	1~25
Rated Voltage	Vp-p	5
Current Consumption	mA	Max.2
Sound Pressure Level	dB	Min.75 at Rated Voltage at 10cm
Electrostatic Capacity	pF	16000±30% at 120Hz 1V
Dimension	mm	16x16xH2.5
Operating Temperature	℃	-20~+70
Weight(Max)	gram	1.0

SMD-220070F-12040T



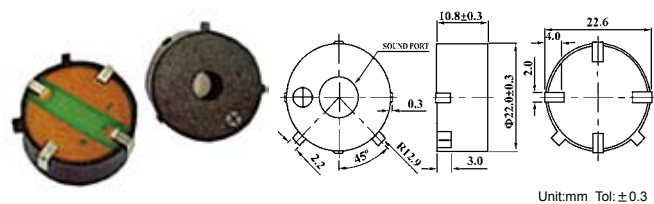
Item	Unit	SMD-220070F-12040T
Oscillation Frequency	Hz	4000
Operating Voltage	Vp-p	1~30
Rated Voltage	Vp-p	12
Current Consumption	mA	Max.5
Sound Pressure Level	dB	Min.90 at Rated Voltage at 10cm
Electrostatic Capacity	pF	19000±30% at 120Hz 1V
Dimension	mm	Φ22xH7
Operating Temperature	℃	-20~+70
Weight(Max)	gram	4.0

SMD-170050F-12040T



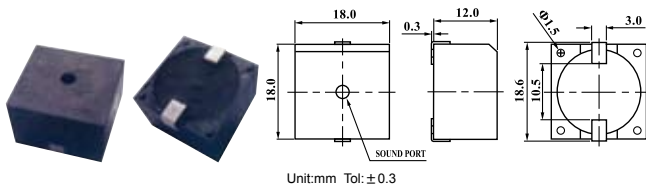
Item	Unit	SMD-170050F-12040T
Oscillation Frequency	Hz	4000
Operating Voltage	Vp-p	1~25
Rated Voltage	Vp-p	12
Current Consumption	mA	Max.5
Sound Pressure Level	dB	Min.90 at Rated Voltage at 10cm
Electrostatic Capacity	pF	15000±30% at 120Hz 1V
Dimension	mm	Φ17xH5
Operating Temperature	℃	-20~+70
Weight(Max)	gram	1.6

SMD-220110F-12040T



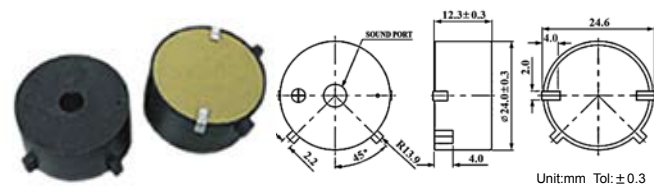
Item	Unit	SMD-220110F-12040T
Oscillation Frequency	Hz	4000
Operating Voltage	Vp-p	1~30
Rated Voltage	Vp-p	12
Current Consumption	mA	Max.5
Sound Pressure Level	dB	Min.100 at Rated Voltage at 10cm
Electrostatic Capacity	pF	19000±30% at 120Hz 1V
Dimension	mm	Φ22xH10.8
Operating Temperature	℃	-20~+70
Weight(Max)	gram	4.5

SMD-180120F-10030T



Item	Unit	SMD-180120F-10030T
Oscillation Frequency	Hz	3000
Operating Voltage	Vp-p	1~30
Rated Voltage	Vp-p	10
Current Consumption	mA	Max.7
Sound Pressure Level	dB	Min.85 at Rated Voltage at 10cm
Electrostatic Capacity	pF	28000±30% at 120Hz 1V
Dimension	mm	18x18xH12
Operating Temperature	℃	-20~+70
Weight(Max)	gram	4.0

SMD-240120F-12034K



Item	Unit	SMD-240120F-12034K
Oscillation Frequency	KHz	3400
Operating Voltage	V _{DC}	3~16
Rated Voltage	V _{DC}	12
Current Consumption	mA	Max.12
Sound Pressure Level	dB	Min.90 at Rated Voltage at 10cm
Tone/Pulse Rate		Constant
Dimension	mm	Φ24xH12.3
Operating Temperature	℃	-20~+70
Weight(Max)	gram	4.0