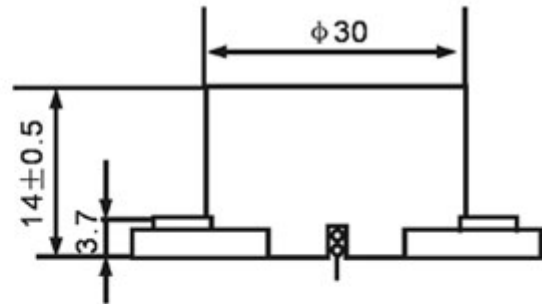
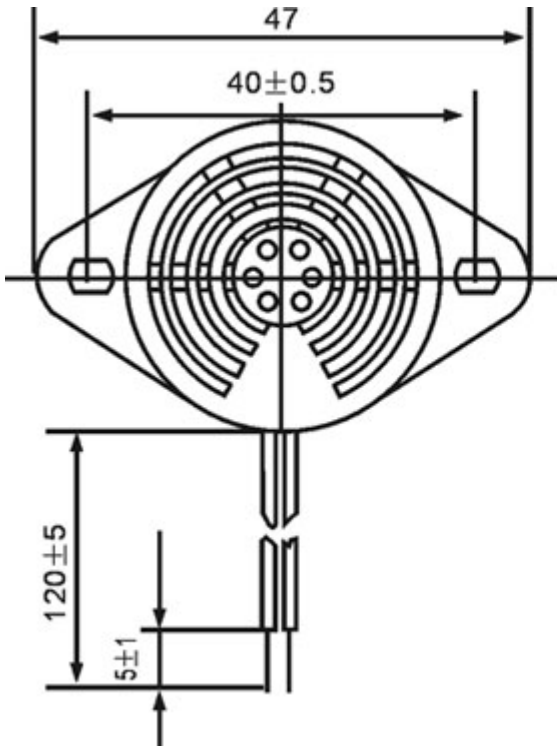
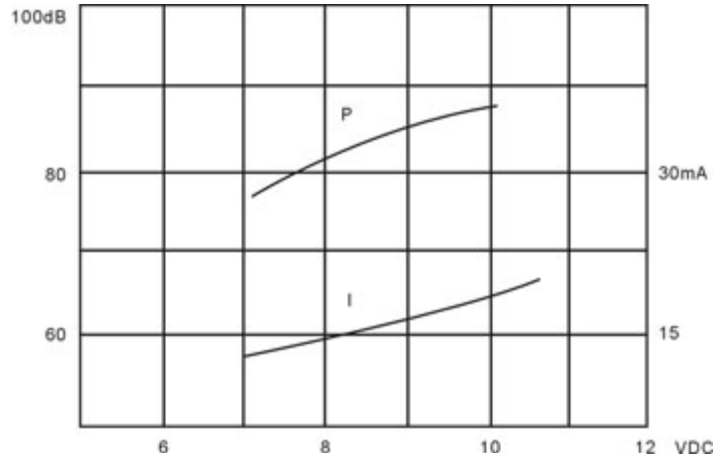


HYT-3015A



SPECIFICATIONS

Type	Unit	HYT-3015A		
Rated Voltage(Square Wave)	V	6	12	24
Operating Voltage	V	4-8	8-15	3-28
*Rated Current(MAX)	mA	20	15	20
*Min Sound Output at 10 cm	dB	85	88	90
*Resonant Frequency	Hz	3400±500	3300±500	3100±500
Operating Temperature	°C	-20 ~ +80		
Weight	g	8		