

# DATA SHEET

## **PCD8544**

**48 × 84 pixels matrix LCD  
controller/driver**

Product specification  
File under Integrated Circuits, IC17

1999 Apr 12

**48 × 84 pixels matrix LCD controller/driver****PCD8544**

<b>CONTENTS</b>	8	<b>INSTRUCTIONS</b>
1	8.1	Initialization
2	8.2	Reset function
3	8.3	Function set
4	8.3.1	Bit PD
5	8.3.2	Bit V
6	8.3.3	Bit H
6.1	8.4	Display control
6.1.1	8.4.1	Bits D and E
6.1.2	8.5	Set Y address of RAM
6.1.3	8.6	Set X address of RAM
6.1.4	8.7	Temperature control
6.1.5	8.8	Bias value
6.1.6	8.9	Set V <sub>OP</sub> value
6.1.7	9	<b>LIMITING VALUES</b>
6.1.8	10	<b>HANDLING</b>
6.1.9	11	<b>DC CHARACTERISTICS</b>
6.1.10	12	<b>AC CHARACTERISTICS</b>
6.1.11	12.1	Serial interface
6.1.12	12.2	Reset
7	13	<b>APPLICATION INFORMATION</b>
7.1	14	<b>BONDING PAD LOCATIONS</b>
7.2	14.1	Bonding pad information
7.3	14.2	Bonding pad location
7.4	15	<b>TRAY INFORMATION</b>
7.5	16	<b>DEFINITIONS</b>
7.6	17	<b>LIFE SUPPORT APPLICATIONS</b>
7.7		
7.7.1		
7.8		

**48 × 84 pixels matrix LCD controller/driver****PCD8544****1 FEATURES**

- Single chip LCD controller/driver
- 48 row, 84 column outputs
- Display data RAM 48 × 84 bits
- On-chip:
  - Generation of LCD supply voltage (external supply also possible)
  - Generation of intermediate LCD bias voltages
  - Oscillator requires no external components (external clock also possible).
- External  $\overline{\text{RES}}$  (reset) input pin
- Serial interface maximum 4.0 Mbits/s
- CMOS compatible inputs
- Mux rate: 48
- Logic supply voltage range  $V_{\text{DD}}$  to  $V_{\text{SS}}$ : 2.7 to 3.3 V
- Display supply voltage range  $V_{\text{LCD}}$  to  $V_{\text{SS}}$ 
  - 6.0 to 8.5 V with LCD voltage internally generated (voltage generator enabled)
  - 6.0 to 9.0 V with LCD voltage externally supplied (voltage generator switched-off).
- Low power consumption, suitable for battery operated systems
- Temperature compensation of  $V_{\text{LCD}}$
- Temperature range: –25 to +70 °C.

**2 GENERAL DESCRIPTION**

The PCD8544 is a low power CMOS LCD controller/driver, designed to drive a graphic display of 48 rows and 84 columns. All necessary functions for the display are provided in a single chip, including on-chip generation of LCD supply and bias voltages, resulting in a minimum of external components and low power consumption.

The PCD8544 interfaces to microcontrollers through a serial bus interface.

The PCD8544 is manufactured in n-well CMOS technology.

**3 APPLICATIONS**

- Telecommunications equipment.

**4 ORDERING INFORMATION**

TYPE NUMBER	PACKAGE		
	NAME	DESCRIPTION	VERSION
PCD8544U	–	chip with bumps in tray; 168 bonding pads + 4 dummy pads	–

48 × 84 pixels matrix LCD controller/driver

PCD8544

5 BLOCK DIAGRAM

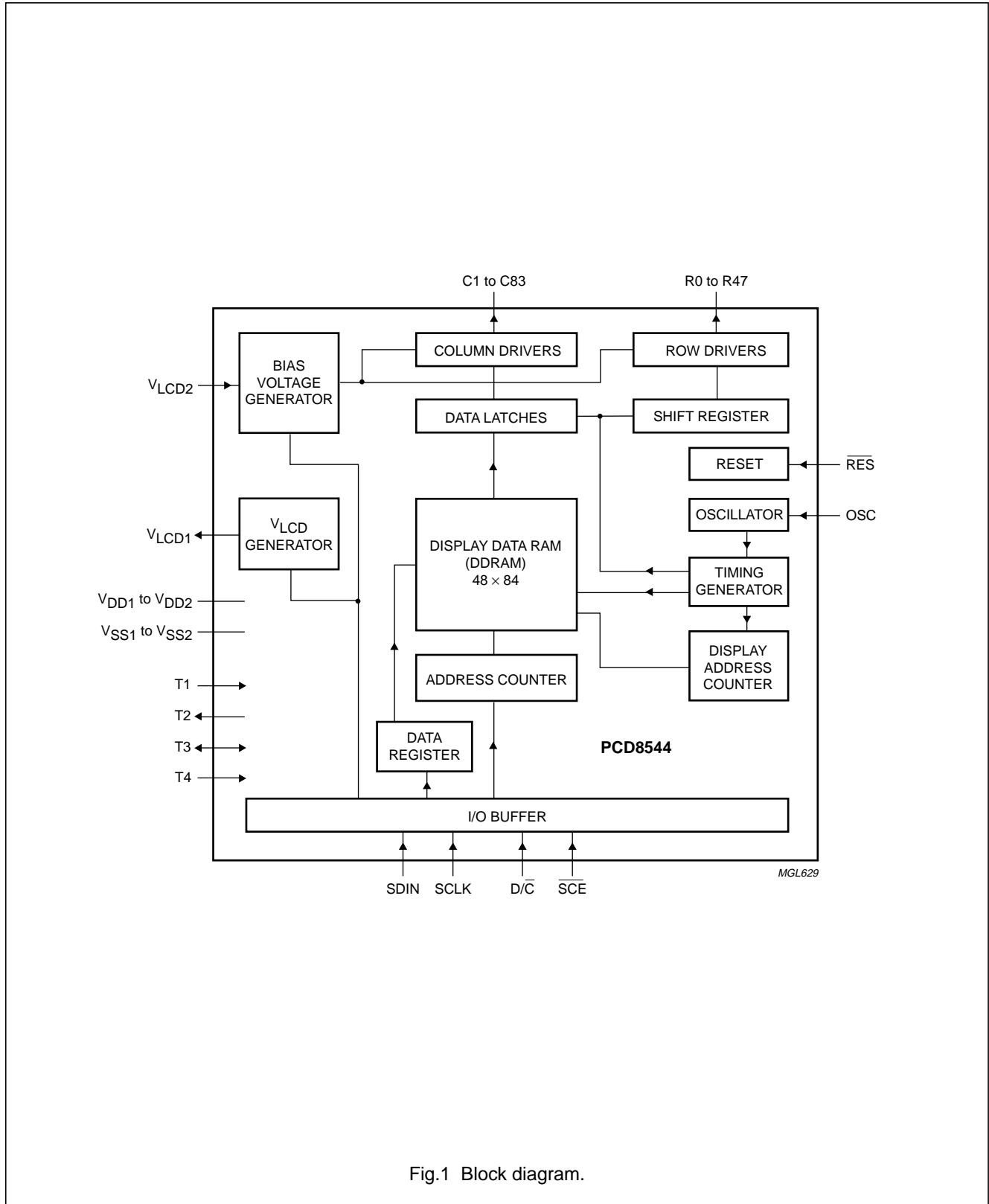


Fig.1 Block diagram.

## 48 × 84 pixels matrix LCD controller/driver

## PCD8544

## 6 PINNING

SYMBOL	DESCRIPTION
R0 to R47	LCD row driver outputs
C0 to C83	LCD column driver outputs
V <sub>SS1</sub> , V <sub>SS2</sub>	ground
V <sub>DD1</sub> , V <sub>DD2</sub>	supply voltage
V <sub>LCD1</sub> , V <sub>LCD2</sub>	LCD supply voltage
T1	test 1 input
T2	test 2 output
T3	test 3 input/output
T4	test 4 input
SDIN	serial data input
SCLK	serial clock input
D/C	data/command
SCE	chip enable
OSC	oscillator
RES	external reset input
dummy1, 2, 3, 4	not connected

## Note

1. For further details, see Fig.18 and Table 7.

## 6.1 Pin functions

## 6.1.1 R0 TO R47 ROW DRIVER OUTPUTS

These pads output the row signals.

## 6.1.2 C0 TO C83 COLUMN DRIVER OUTPUTS

These pads output the column signals.

6.1.3 V<sub>SS1</sub>, V<sub>SS2</sub>: NEGATIVE POWER SUPPLY RAILS

Supply rails V<sub>SS1</sub> and V<sub>SS2</sub> must be connected together.

6.1.4 V<sub>DD1</sub>, V<sub>DD2</sub>: POSITIVE POWER SUPPLY RAILS

Supply rails V<sub>DD1</sub> and V<sub>DD2</sub> must be connected together.

6.1.5 V<sub>LCD1</sub>, V<sub>LCD2</sub>: LCD POWER SUPPLY

Positive power supply for the liquid crystal display. Supply rails V<sub>LCD1</sub> and V<sub>LCD2</sub> must be connected together.

## 6.1.6 T1, T2, T3 AND T4: TEST PADS

T1, T3 and T4 must be connected to V<sub>SS</sub>, T2 is to be left open. Not accessible to user.

## 6.1.7 SDIN: SERIAL DATA LINE

Input for the data line.

## 6.1.8 SCLK: SERIAL CLOCK LINE

Input for the clock signal: 0.0 to 4.0 Mbits/s.

## 6.1.9 D/C: MODE SELECT

Input to select either command/address or data input.

## 6.1.10 SCE: CHIP ENABLE

The enable pin allows data to be clocked in. The signal is active LOW.

## 6.1.11 OSC: OSCILLATOR

When the on-chip oscillator is used, this input must be connected to V<sub>DD</sub>. An external clock signal, if used, is connected to this input. If the oscillator and external clock are both inhibited by connecting the OSC pin to V<sub>SS</sub>, the display is not clocked and may be left in a DC state. To avoid this, the chip should always be put into Power-down mode before stopping the clock.

## 6.1.12 RES: RESET

This signal will reset the device and must be applied to properly initialize the chip. The signal is active LOW.

---

**48 × 84 pixels matrix LCD controller/driver****PCD8544**

---

**7 FUNCTIONAL DESCRIPTION****7.1 Oscillator**

The on-chip oscillator provides the clock signal for the display system. No external components are required and the OSC input must be connected to  $V_{DD}$ . An external clock signal, if used, is connected to this input.

**7.2 Address Counter (AC)**

The address counter assigns addresses to the display data RAM for writing. The X-address  $X_6$  to  $X_0$  and the Y-address  $Y_2$  to  $Y_0$  are set separately. After a write operation, the address counter is automatically incremented by 1, according to the V flag.

**7.3 Display Data RAM (DDRAM)**

The DDRAM is a  $48 \times 84$  bit static RAM which stores the display data. The RAM is divided into six banks of 84 bytes ( $6 \times 8 \times 84$  bits). During RAM access, data is transferred to the RAM through the serial interface. There is a direct correspondence between the X-address and the column output number.

**7.4 Timing generator**

The timing generator produces the various signals required to drive the internal circuits. Internal chip operation is not affected by operations on the data buses.

**7.5 Display address counter**

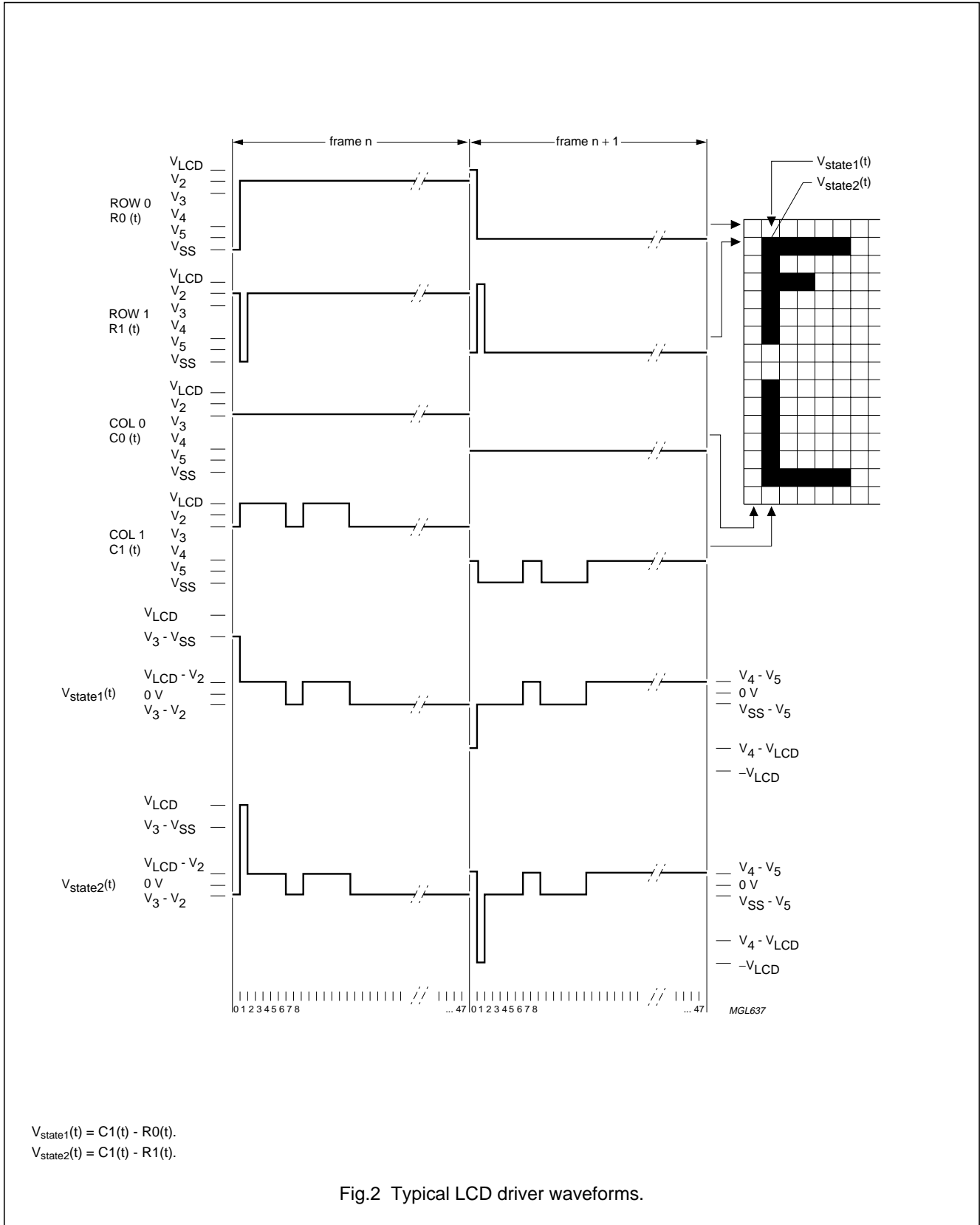
The display is generated by continuously shifting rows of RAM data to the dot matrix LCD through the column outputs. The display status (all dots on/off and normal/inverse video) is set by bits E and D in the 'display control' command.

**7.6 LCD row and column drivers**

The PCD8544 contains 48 row and 84 column drivers, which connect the appropriate LCD bias voltages in sequence to the display in accordance with the data to be displayed. Figure 2 shows typical waveforms. Unused outputs should be left unconnected.

48 × 84 pixels matrix LCD controller/driver

PCD8544



48 × 84 pixels matrix LCD controller/driver

PCD8544

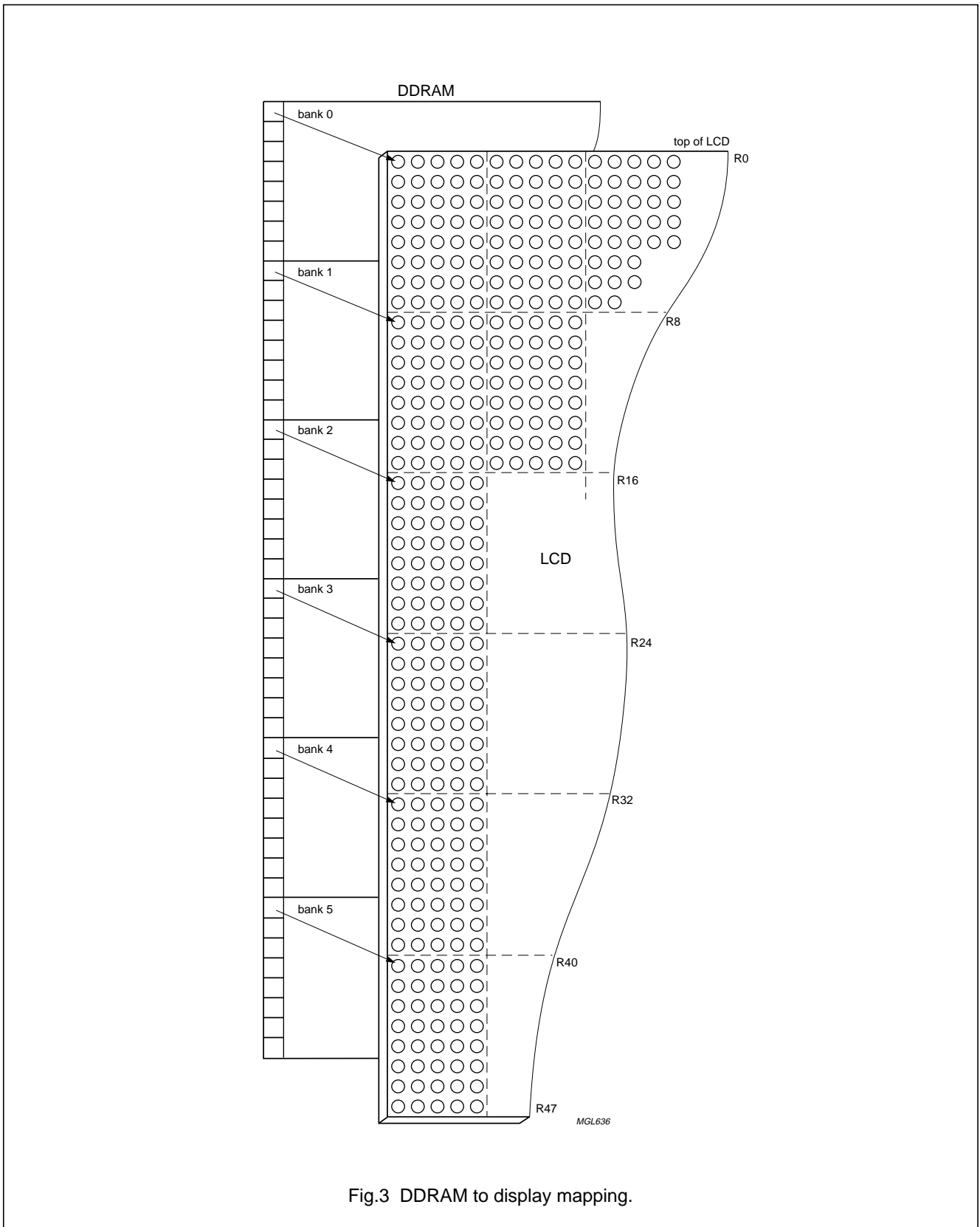


Fig.3 DDRAM to display mapping.



# 48 × 84 pixels matrix LCD controller/driver

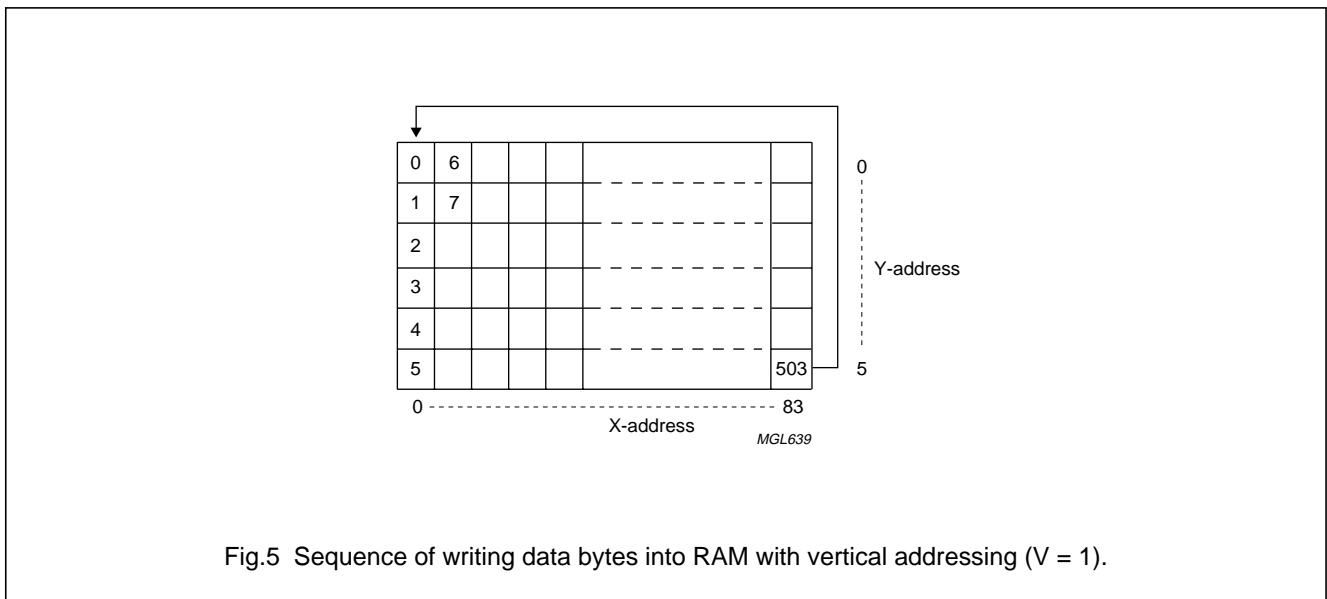
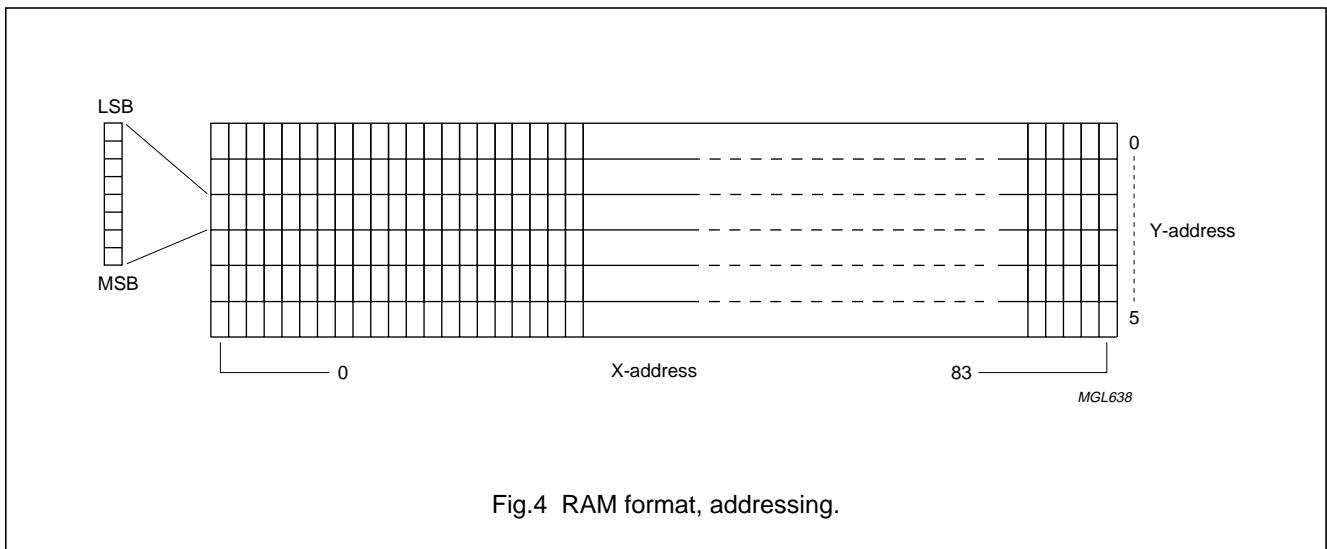
# PCD8544

## 7.7 Addressing

Data is downloaded in bytes into the 48 by 84 bits RAM data display matrix of PCD8544, as indicated in Figs. 3, 4, 5 and 6. The columns are addressed by the address pointer. The address ranges are: X 0 to 83 (1010011), Y 0 to 5 (101). Addresses outside these ranges are not allowed. In the vertical addressing mode (V = 1), the Y address increments after each byte (see

Fig.5). After the last Y address (Y = 5), Y wraps around to 0 and X increments to address the next column. In the horizontal addressing mode (V = 0), the X address increments after each byte (see Fig.6). After the last X address (X = 83), X wraps around to 0 and Y increments to address the next row. After the very last address (X = 83 and Y = 5), the address pointers wrap around to address (X = 0 and Y = 0).

### 7.7.1 DATA STRUCTURE



48 × 84 pixels matrix LCD controller/driver

PCD8544

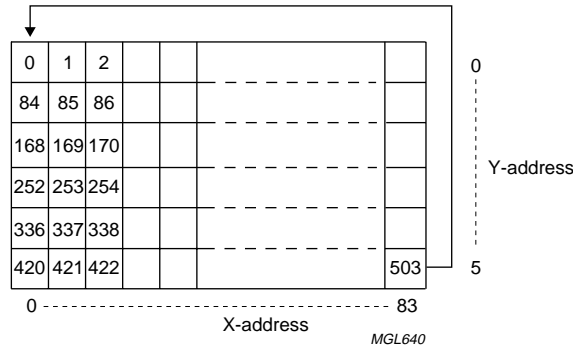
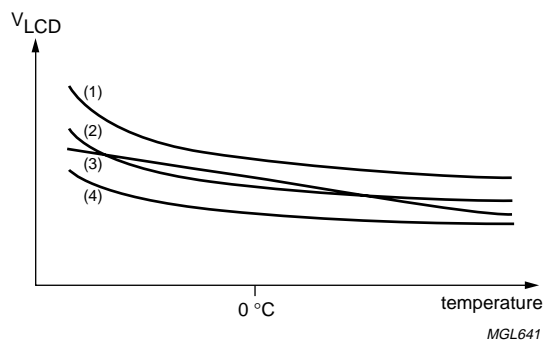


Fig.6 Sequence of writing data bytes into RAM with horizontal addressing (V = 0).

7.8 Temperature compensation

Due to the temperature dependency of the liquid crystals' viscosity, the LCD controlling voltage  $V_{LCD}$  must be increased at lower temperatures to maintain optimum

contrast. Figure 7 shows  $V_{LCD}$  for high multiplex rates. In the PCD8544, the temperature coefficient of  $V_{LCD}$ , can be selected from four values (see Table 2) by setting bits  $TC_1$  and  $TC_0$ .



- (1) Upper limit.
- (2) Typical curve.
- (3) Temperature coefficient of IC.
- (4) Lower limit.

Fig.7  $V_{LCD}$  as function of liquid crystal temperature (typical values).

48 × 84 pixels matrix LCD controller/driver

PCD8544

8 INSTRUCTIONS

The instruction format is divided into two modes: If  $\overline{D/\overline{C}}$  (mode select) is set LOW, the current byte is interpreted as command byte (see Table 1). Figure 8 shows an example of a serial data stream for initializing the chip. If  $\overline{D/\overline{C}}$  is set HIGH, the following bytes are stored in the display data RAM. After every data byte, the address counter is incremented automatically.

The level of the  $\overline{D/\overline{C}}$  signal is read during the last bit of data byte.

Each instruction can be sent in any order to the PCD8544. The MSB of a byte is transmitted first. Figure 9 shows one possible command stream, used to set up the LCD driver.

The serial interface is initialized when  $\overline{SCE}$  is HIGH. In this state, SCLK clock pulses have no effect and no power is consumed by the serial interface. A negative edge on  $\overline{SCE}$  enables the serial interface and indicates the start of a data transmission.

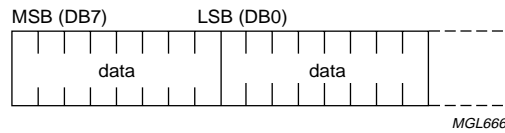


Fig.8 General format of data stream.

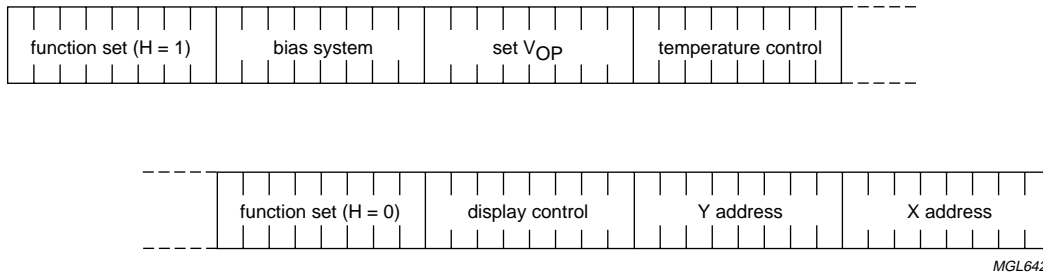


Fig.9 Serial data stream, example.

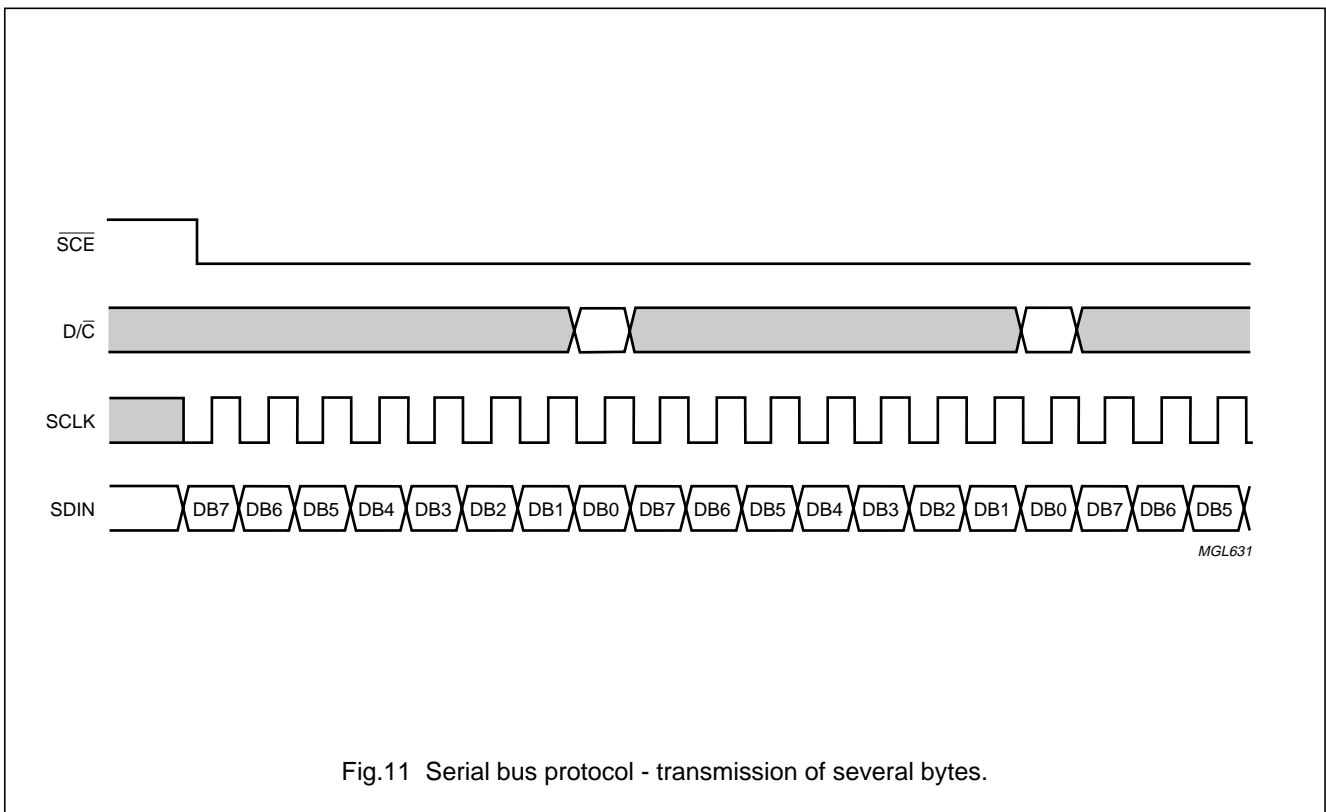
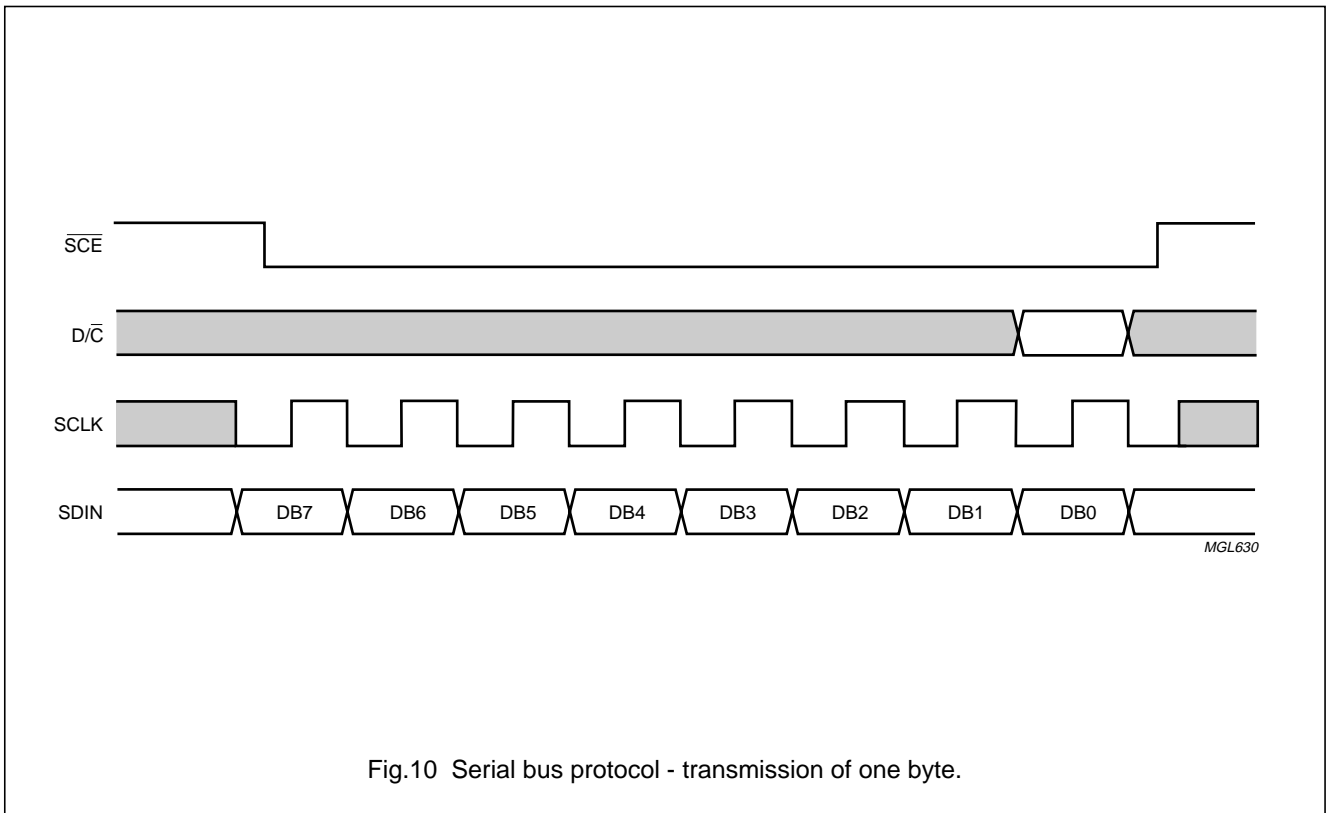
Figures 10 and 11 show the serial bus protocol.

- When  $\overline{SCE}$  is HIGH, SCLK clock signals are ignored; during the HIGH time of  $\overline{SCE}$ , the serial interface is initialized (see Fig.12)
- SDIN is sampled at the positive edge of SCLK
- $\overline{D/\overline{C}}$  indicates whether the byte is a command ( $\overline{D/\overline{C}} = 0$ ) or RAM data ( $\overline{D/\overline{C}} = 1$ ); it is read with the eighth SCLK pulse

- If  $\overline{SCE}$  stays LOW after the last bit of a command/data byte, the serial interface expects bit 7 of the next byte at the next positive edge of SCLK (see Fig.12)
- A reset pulse with  $\overline{RES}$  interrupts the transmission. No data is written into the RAM. The registers are cleared. If  $\overline{SCE}$  is LOW after the positive edge of  $\overline{RES}$ , the serial interface is ready to receive bit 7 of a command/data byte (see Fig.13).

48 × 84 pixels matrix LCD controller/driver

PCD8544



48 × 84 pixels matrix LCD controller/driver

PCD8544

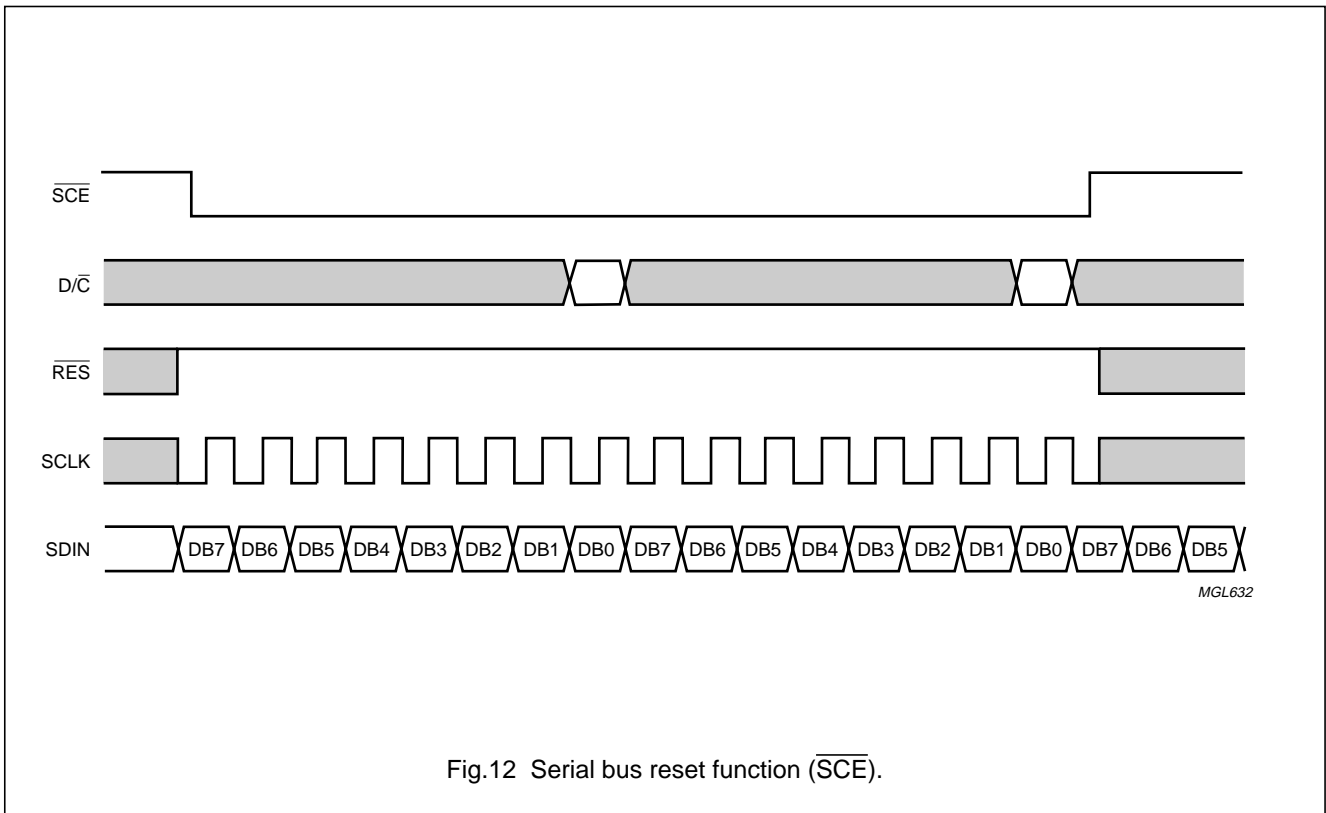


Fig.12 Serial bus reset function ( $\overline{SCE}$ ).

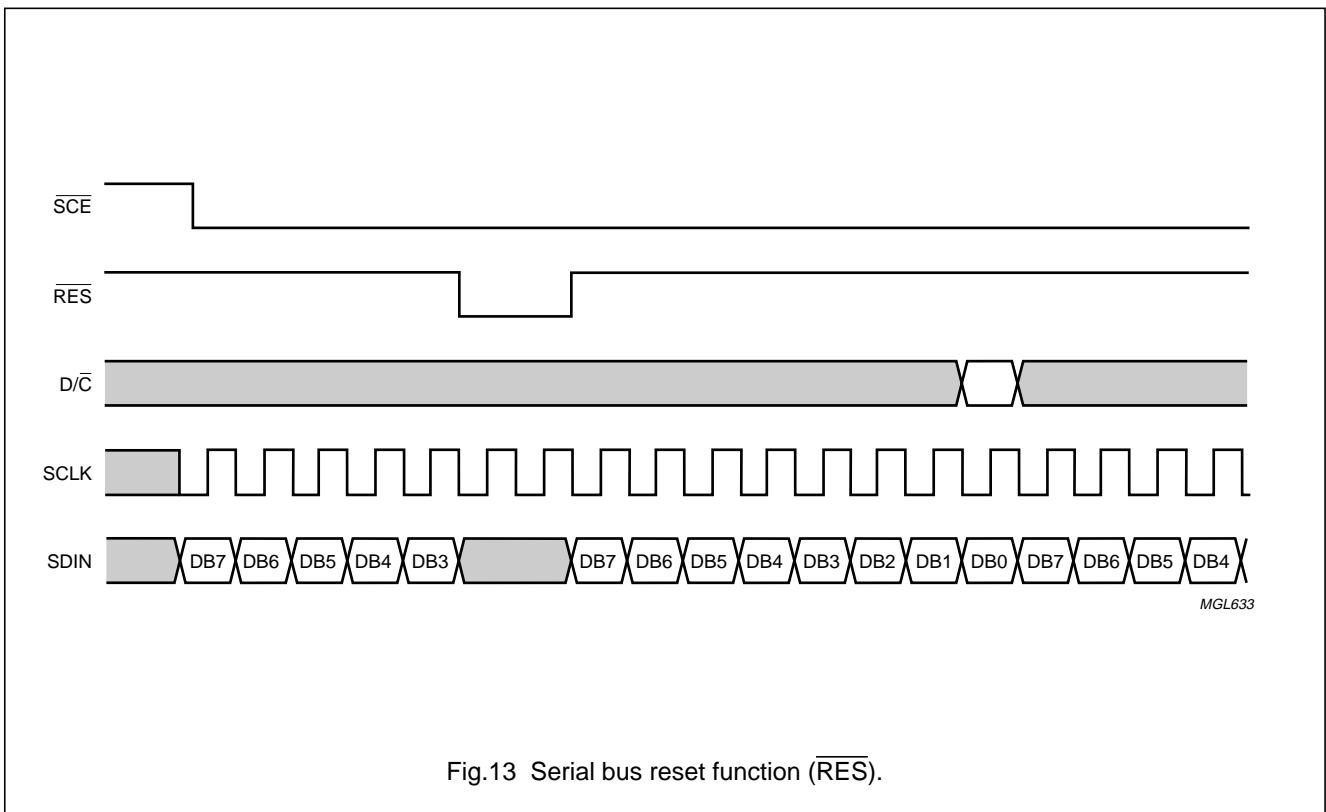


Fig.13 Serial bus reset function ( $\overline{RES}$ ).

## 48 × 84 pixels matrix LCD controller/driver

PCD8544

Table 1 Instruction set

INSTRUCTION	D/C	COMMAND BYTE								DESCRIPTION	
		DB7	DB6	DB5	DB4	DB3	DB2	DB1	DB0		
<b>(H = 0 or 1)</b>											
NOP	0	0	0	0	0	0	0	0	0	0	no operation
Function set	0	0	0	1	0	0	PD	V	H		power down control; entry mode; extended instruction set control (H)
Write data	1	D <sub>7</sub>	D <sub>6</sub>	D <sub>5</sub>	D <sub>4</sub>	D <sub>3</sub>	D <sub>2</sub>	D <sub>1</sub>	D <sub>0</sub>		writes data to display RAM
<b>(H = 0)</b>											
Reserved	0	0	0	0	0	0	1	X	X		do not use
Display control	0	0	0	0	0	1	D	0	E		sets display configuration
Reserved	0	0	0	0	1	X	X	X	X		do not use
Set Y address of RAM	0	0	1	0	0	0	Y <sub>2</sub>	Y <sub>1</sub>	Y <sub>0</sub>		sets Y-address of RAM; 0 ≤ Y ≤ 5
Set X address of RAM	0	1	X <sub>6</sub>	X <sub>5</sub>	X <sub>4</sub>	X <sub>3</sub>	X <sub>2</sub>	X <sub>1</sub>	X <sub>0</sub>		sets X-address part of RAM; 0 ≤ X ≤ 83
<b>(H = 1)</b>											
Reserved	0	0	0	0	0	0	0	0	1		do not use
	0	0	0	0	0	0	0	1	X		do not use
Temperature control	0	0	0	0	0	0	1	TC <sub>1</sub>	TC <sub>0</sub>		set Temperature Coefficient (TC <sub>x</sub> )
Reserved	0	0	0	0	0	1	X	X	X		do not use
Bias system	0	0	0	0	1	0	BS <sub>2</sub>	BS <sub>1</sub>	BS <sub>0</sub>		set Bias System (BS <sub>x</sub> )
Reserved	0	0	1	X	X	X	X	X	X		do not use
Set V <sub>OP</sub>	0	1	V <sub>OP6</sub>	V <sub>OP5</sub>	V <sub>OP4</sub>	V <sub>OP3</sub>	V <sub>OP2</sub>	V <sub>OP1</sub>	V <sub>OP0</sub>		write V <sub>OP</sub> to register

Table 2 Explanations of symbols in Table 1

BIT	0	1
PD	chip is active	chip is in Power-down mode
V	horizontal addressing	vertical addressing
H	use basic instruction set	use extended instruction set
D and E		
00	display blank	
10	normal mode	
01	all display segments on	
11	inverse video mode	
TC <sub>1</sub> and TC <sub>0</sub>		
00	V <sub>LCD</sub> temperature coefficient 0	
01	V <sub>LCD</sub> temperature coefficient 1	
10	V <sub>LCD</sub> temperature coefficient 2	
11	V <sub>LCD</sub> temperature coefficient 3	

## 48 × 84 pixels matrix LCD controller/driver

## PCD8544

**8.1 Initialization**

Immediately following power-on, the contents of all internal registers and of the RAM are undefined. A **RES pulse must be applied**. Attention should be paid to the possibility that the **device may be damaged** if not properly reset.

All internal registers are reset by applying an external  $\overline{\text{RES}}$  pulse (active LOW) at pad 31, within the specified time. However, the RAM contents are still undefined. The state after reset is described in Section 8.2.

The  $\overline{\text{RES}}$  input must be  $\leq 0.3V_{\text{DD}}$  when  $V_{\text{DD}}$  reaches  $V_{\text{DDmin}}$  (or higher) within a maximum time of 100 ms after  $V_{\text{DD}}$  goes HIGH (see Fig.16).

**8.2 Reset function**

After reset, the LCD driver has the following state:

- Power-down mode (bit PD = 1)
- Horizontal addressing (bit V = 0) normal instruction set (bit H = 0)
- Display blank (bit E = D = 0)
- Address counter  $X_6$  to  $X_0 = 0$ ;  $Y_2$  to  $Y_0 = 0$
- Temperature control mode ( $\text{TC}_1$   $\text{TC}_0 = 0$ )
- Bias system ( $\text{BS}_2$  to  $\text{BS}_0 = 0$ )
- $V_{\text{LCD}}$  is equal to 0, the HV generator is switched off ( $V_{\text{OP6}}$  to  $V_{\text{OP0}} = 0$ )
- After power-on, the RAM contents are undefined.

**8.3 Function set****8.3.1 BIT PD**

- All LCD outputs at  $V_{\text{SS}}$  (display off)
- Bias generator and  $V_{\text{LCD}}$  generator off,  $V_{\text{LCD}}$  can be disconnected
- Oscillator off (external clock possible)
- Serial bus, command, etc. function
- Before entering Power-down mode, the RAM needs to be filled with '0's to ensure the specified current consumption.

**8.3.2 BIT V**

When  $V = 0$ , the horizontal addressing is selected. The data is written into the DDRAM as shown in Fig.6. When  $V = 1$ , the vertical addressing is selected. The data is written into the DDRAM, as shown in Fig.5.

**8.3.3 BIT H**

When  $H = 0$  the commands 'display control', 'set Y address' and 'set X address' can be performed; when  $H = 1$ , the others can be executed. The 'write data' and 'function set' commands can be executed in both cases.

**8.4 Display control****8.4.1 BITS D AND E**

Bits D and E select the display mode (see Table 2).

**8.5 Set Y address of RAM**

$Y_n$  defines the Y vector addressing of the display RAM.

**Table 3** Y vector addressing

$Y_2$	$Y_1$	$Y_0$	BANK
0	0	0	0
0	0	1	1
0	1	0	2
0	1	1	3
1	0	0	4
1	0	1	5

**8.6 Set X address of RAM**

The X address points to the columns. The range of X is 0 to 83 (53H).

**8.7 Temperature control**

The temperature coefficient of  $V_{\text{LCD}}$  is selected by bits  $\text{TC}_1$  and  $\text{TC}_0$ .

**8.8 Bias value**

The bias voltage levels are set in the ratio of  $R - R - nR - R - R$ , giving a  $1/(n + 4)$  bias system. Different multiplex rates require different factors  $n$  (see Table 4). This is programmed by  $\text{BS}_2$  to  $\text{BS}_0$ . For Mux 1 : 48, the optimum bias value  $n$ , resulting in 1/8 bias, is given by:

$$n = \sqrt{48} - 3 = 3.928 = 4 \quad (1)$$

48 × 84 pixels matrix LCD controller/driver

PCD8544

**Table 4** Programming the required bias system

BS <sub>2</sub>	BS <sub>1</sub>	BS <sub>0</sub>	n	RECOMMENDED MUX RATE
0	0	0	7	1 : 100
0	0	1	6	1 : 80
0	1	0	5	1 : 65/1 : 65
0	1	1	4	1 : 48
1	0	0	3	1 : 40/1 : 34
1	0	1	2	1 : 24
1	1	0	1	1 : 18/1 : 16
1	1	1	0	1 : 10/1 : 9/1 : 8

**Table 5** LCD bias voltage

SYMBOL	BIAS VOLTAGES	BIAS VOLTAGE FOR 1/8 BIAS
V1	V <sub>LCD</sub>	V <sub>LCD</sub>
V2	(n + 3)/(n + 4)	7/8 × V <sub>LCD</sub>
V3	(n + 2)/(n + 4)	6/8 × V <sub>LCD</sub>
V4	2/(n + 4)	2/8 × V <sub>LCD</sub>
V5	1/(n + 4)	1/8 × V <sub>LCD</sub>
V6	V <sub>SS</sub>	V <sub>SS</sub>

**8.9 Set V<sub>OP</sub> value**

The operation voltage V<sub>LCD</sub> can be set by software. The values are dependent on the liquid crystal selected. V<sub>LCD</sub> = a + (V<sub>OP6</sub> to V<sub>OP0</sub>) × b [V]. In the PCD8544, a = 3.06 and b = 0.06 giving a program range of 3.00 to 10.68 at room temperature.

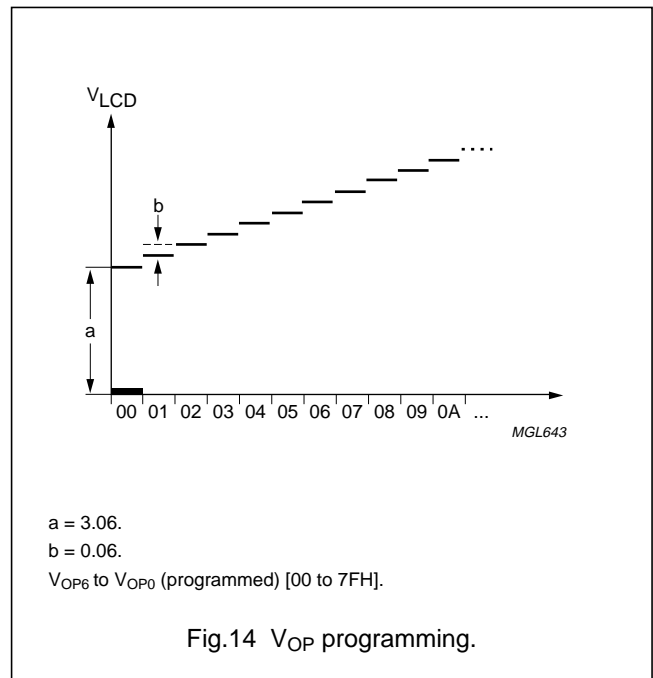
Note that the charge pump is turned off if V<sub>OP6</sub> to V<sub>OP0</sub> is set to zero.

For Mux 1 : 48, the optimum operation voltage of the liquid can be calculated as:

$$V_{LCD} = \frac{1 + \sqrt{48}}{\sqrt{2 \cdot \left(1 - \frac{1}{\sqrt{48}}\right)}} \cdot V_{th} = 6.06 \cdot V_{th} \tag{2}$$

where V<sub>th</sub> is the threshold voltage of the liquid crystal material used.

**Caution, as V<sub>OP</sub> increases with lower temperatures, care must be taken not to set a V<sub>OP</sub> that will exceed the maximum of 8.5 V when operating at -25 °C.**





## 48 × 84 pixels matrix LCD controller/driver

## PCD8544

**9 LIMITING VALUES**

In accordance with the Absolute Maximum Rating System (IEC 134); see notes 1 and 2.

SYMBOL	PARAMETER	CONDITIONS	MIN.	MAX.	UNIT
$V_{DD}$	supply voltage	note 3	-0.5	+7	V
$V_{LCD}$	supply voltage LCD	note 4	-0.5	+10	V
$V_i$	all input voltages		-0.5	$V_{DD} + 0.5$	V
$I_{SS}$	ground supply current		-50	+50	mA
$I_i, I_o$	DC input or output current		-10	+10	mA
$P_{tot}$	total power dissipation		-	300	mW
$P_o$	power dissipation per output		-	30	mW
$T_{amb}$	operating ambient temperature		-25	+70	°C
$T_j$	operating junction temperature		-65	+150	°C
$T_{stg}$	storage temperature		-65	+150	°C

**Notes**

1. Stresses above those listed under limiting values may cause permanent damage to the device.
2. Parameters are valid over operating temperature range unless otherwise specified. All voltages are with respect to  $V_{SS}$  unless otherwise noted.
3. With external LCD supply voltage externally supplied (voltage generator disabled).  $V_{DDmax} = 5$  V if LCD supply voltage is internally generated (voltage generator enabled).
4. When setting  $V_{LCD}$  by software, take care not to set a  $V_{OP}$  that will exceed the maximum of 8.5 V when operating at -25 °C, see Caution in Section 8.9.

**10 HANDLING**

Inputs and outputs are protected against electrostatic discharge in normal handling. However, to be totally safe, it is desirable to take normal precautions appropriate to handling MOS devices (see "Handling MOS devices").

## 48 × 84 pixels matrix LCD controller/driver

## PCD8544

**11 DC CHARACTERISTICS**

$V_{DD} = 2.7$  to  $3.3$  V;  $V_{SS} = 0$  V;  $V_{LCD} = 6.0$  to  $9.0$  V;  $T_{amb} = -25$  to  $+70$  °C; unless otherwise specified.

SYMBOL	PARAMETER	CONDITIONS	MIN.	TYP.	MAX.	UNIT
$V_{DD1}$	supply voltage 1	LCD voltage externally supplied (voltage generator disabled)	2.7	–	3.3	V
$V_{DD2}$	supply voltage 2	LCD voltage internally generated (voltage generator enabled)	2.7	–	3.3	V
$V_{LCD1}$	LCD supply voltage	LCD voltage externally supplied (voltage generator disabled)	6.0	–	9.0	V
$V_{LCD2}$	LCD supply voltage	LCD voltage internally generated (voltage generator enabled); note 1	6.0	–	8.5	V
$I_{DD1}$	supply current 1 (normal mode) for internal $V_{LCD}$	$V_{DD} = 2.85$ V; $V_{LCD} = 7.0$ V; $f_{SCLK} = 0$ ; $T_{amb} = 25$ °C; display load = $10$ $\mu$ A; note 2	–	240	300	$\mu$ A
$I_{DD2}$	supply current 2 (normal mode) for internal $V_{LCD}$	$V_{DD} = 2.70$ V; $V_{LCD} = 7.0$ V; $f_{SCLK} = 0$ ; $T_{amb} = 25$ °C; display load = $10$ $\mu$ A; note 2	–	–	320	$\mu$ A
$I_{DD3}$	supply current 3 (Power-down mode)	with internal or external LCD supply voltage; note 3	–	1.5	–	$\mu$ A
$I_{DD4}$	supply current external $V_{LCD}$	$V_{DD} = 2.85$ V; $V_{LCD} = 9.0$ V; $f_{SCLK} = 0$ ; notes 2 and 4	–	25	–	$\mu$ A
$I_{LCD}$	supply current external $V_{LCD}$	$V_{DD} = 2.7$ V; $V_{LCD} = 7.0$ V; $f_{SCLK} = 0$ ; $T = 25$ °C; display load = $10$ $\mu$ A; notes 2 and 4	–	42	–	$\mu$ A
<b>Logic</b>						
$V_{IL}$	LOW level input voltage		$V_{SS}$	–	$0.3V_{DD}$	V
$V_{IH}$	HIGH level input voltage		$0.7V_{DD}$	–	$V_{DD}$	V
$I_L$	leakage current	$V_I = V_{DD}$ or $V_{SS}$	–1	–	+1	$\mu$ A
<b>Column and row outputs</b>						
$R_{O(C)}$	column output resistance C0 to C83		–	12	20	$k\Omega$
$R_{O(R)}$	row output resistance R0 to R47		–	12	20	$k\Omega$
$V_{bias(tol)}$	bias voltage tolerance on C0 to C83 and R0 to R47		–100	0	+100	mV

## 48 × 84 pixels matrix LCD controller/driver

## PCD8544

SYMBOL	PARAMETER	CONDITIONS	MIN.	TYP.	MAX.	UNIT
<b>LCD supply voltage generator</b>						
V <sub>LCD</sub>	V <sub>LCD</sub> tolerance internally generated	V <sub>DD</sub> = 2.85 V; V <sub>LCD</sub> = 7.0 V; f <sub>SCLK</sub> = 0; display load = 10 μA; note 5	–	0	300	mV
TC0	V <sub>LCD</sub> temperature coefficient 0	V <sub>DD</sub> = 2.85 V; V <sub>LCD</sub> = 7.0 V; f <sub>SCLK</sub> = 0; display load = 10 μA	–	1	–	mV/K
TC1	V <sub>LCD</sub> temperature coefficient 1	V <sub>DD</sub> = 2.85 V; V <sub>LCD</sub> = 7.0 V; f <sub>SCLK</sub> = 0; display load = 10 μA	–	9	–	mV/K
TC2	V <sub>LCD</sub> temperature coefficient 2	V <sub>DD</sub> = 2.85 V; V <sub>LCD</sub> = 7.0 V; f <sub>SCLK</sub> = 0; display load = 10 μA	–	17	–	mV/K
TC3	V <sub>LCD</sub> temperature coefficient 3	V <sub>DD</sub> = 2.85 V; V <sub>LCD</sub> = 7.0 V; f <sub>SCLK</sub> = 0; display load = 10 μA	–	24	–	mV/K

**Notes**

1. The maximum possible V<sub>LCD</sub> voltage that may be generated is dependent on voltage, temperature and (display) load.
2. Internal clock.
3. RAM contents equal '0'. During power-down, all static currents are switched off.
4. If external V<sub>LCD</sub>, the display load current is not transmitted to I<sub>DD</sub>.
5. Tolerance depends on the temperature (typically zero at 27 °C, maximum tolerance values are measured at the temperate range limit).

## 48 × 84 pixels matrix LCD controller/driver

## PCD8544

## 12 AC CHARACTERISTICS

SYMBOL	PARAMETER	CONDITIONS	MIN.	TYP.	MAX.	UNIT
f <sub>OSC</sub>	oscillator frequency		20	34	65	kHz
f <sub>clk(ext)</sub>	external clock frequency		10	32	100	kHz
f <sub>frame</sub>	frame frequency	f <sub>OSC</sub> or f <sub>clk(ext)</sub> = 32 kHz; note 1	–	67	–	Hz
t <sub>VHRL</sub>	V <sub>DD</sub> to $\overline{\text{RES}}$ LOW	Fig.16	0 <sup>(2)</sup>	–	30	ms
t <sub>WL(RES)</sub>	$\overline{\text{RES}}$ LOW pulse width	Fig.16	100	–	–	ns
<b>Serial bus timing characteristics</b>						
f <sub>SCLK</sub>	clock frequency	V <sub>DD</sub> = 3.0 V ±10%	0	–	4.00	MHz
T <sub>cy</sub>	clock cycle SCLK	All signal timing is based on 20% to 80% of V <sub>DD</sub> and maximum rise and fall times of 10 ns	250	–	–	ns
t <sub>WH1</sub>	SCLK pulse width HIGH		100	–	–	ns
t <sub>WL1</sub>	SCLK pulse width LOW		100	–	–	ns
t <sub>su2</sub>	$\overline{\text{SCE}}$ set-up time		60	–	–	ns
t <sub>h2</sub>	$\overline{\text{SCE}}$ hold time		100	–	–	ns
t <sub>WH2</sub>	$\overline{\text{SCE}}$ min. HIGH time		100	–	–	ns
t <sub>h5</sub>	$\overline{\text{SCE}}$ start hold time; note 3		100	–	–	ns
t <sub>su3</sub>	D/ $\overline{\text{C}}$ set-up time		100	–	–	ns
t <sub>h3</sub>	D/ $\overline{\text{C}}$ hold time		100	–	–	ns
t <sub>su4</sub>	SDIN set-up time		100	–	–	ns
t <sub>h4</sub>	SDIN hold time	100	–	–	ns	

## Notes

- $T_{\text{frame}} = \frac{f_{\text{clk}(\text{ext})}}{480}$
- $\overline{\text{RES}}$  may be LOW before V<sub>DD</sub> goes HIGH.
- t<sub>h5</sub> is the time from the previous SCLK positive edge (irrespective of the state of  $\overline{\text{SCE}}$ ) to the negative edge of  $\overline{\text{SCE}}$  (see Fig.15).

48 × 84 pixels matrix LCD controller/driver

PCD8544

12.1 Serial interface

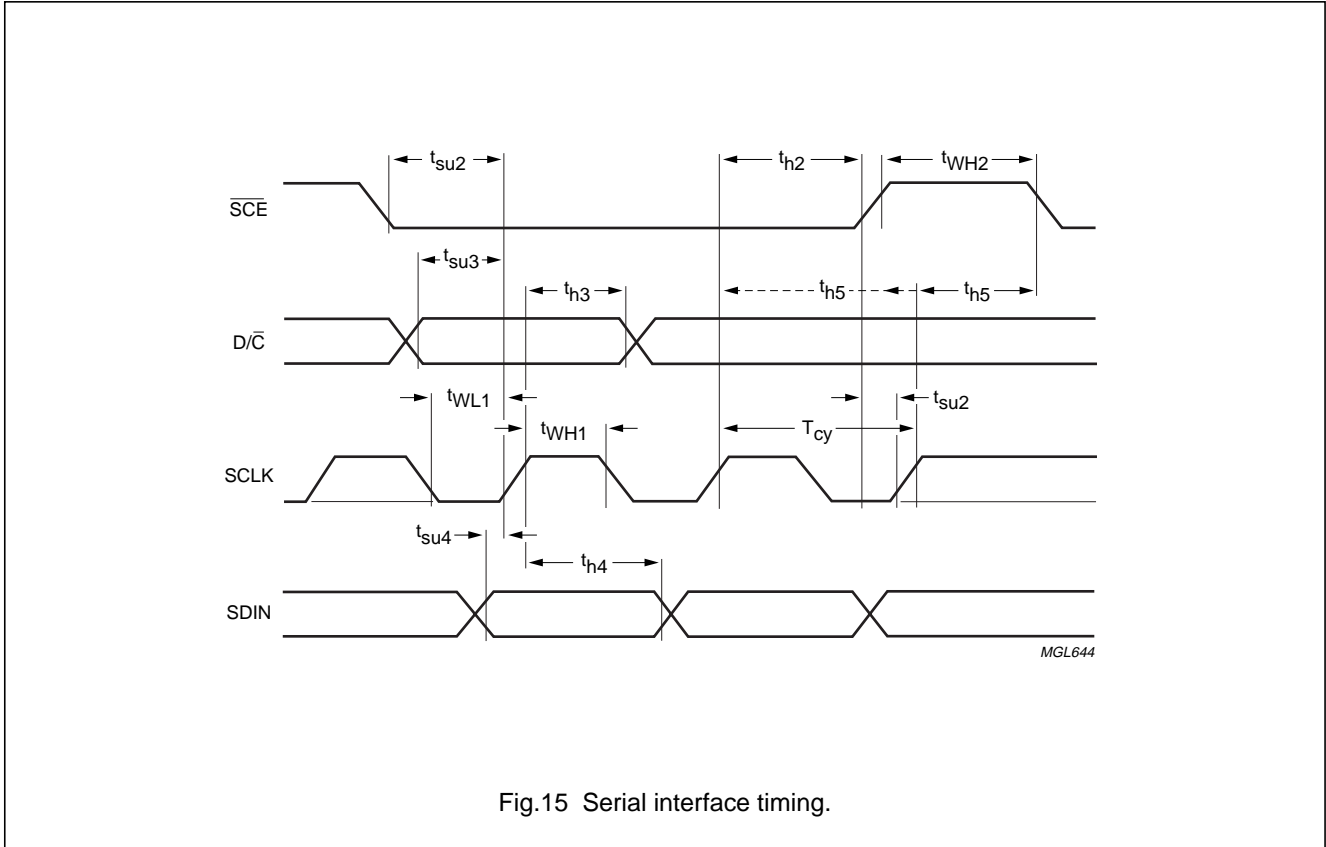


Fig.15 Serial interface timing.

12.2 Reset

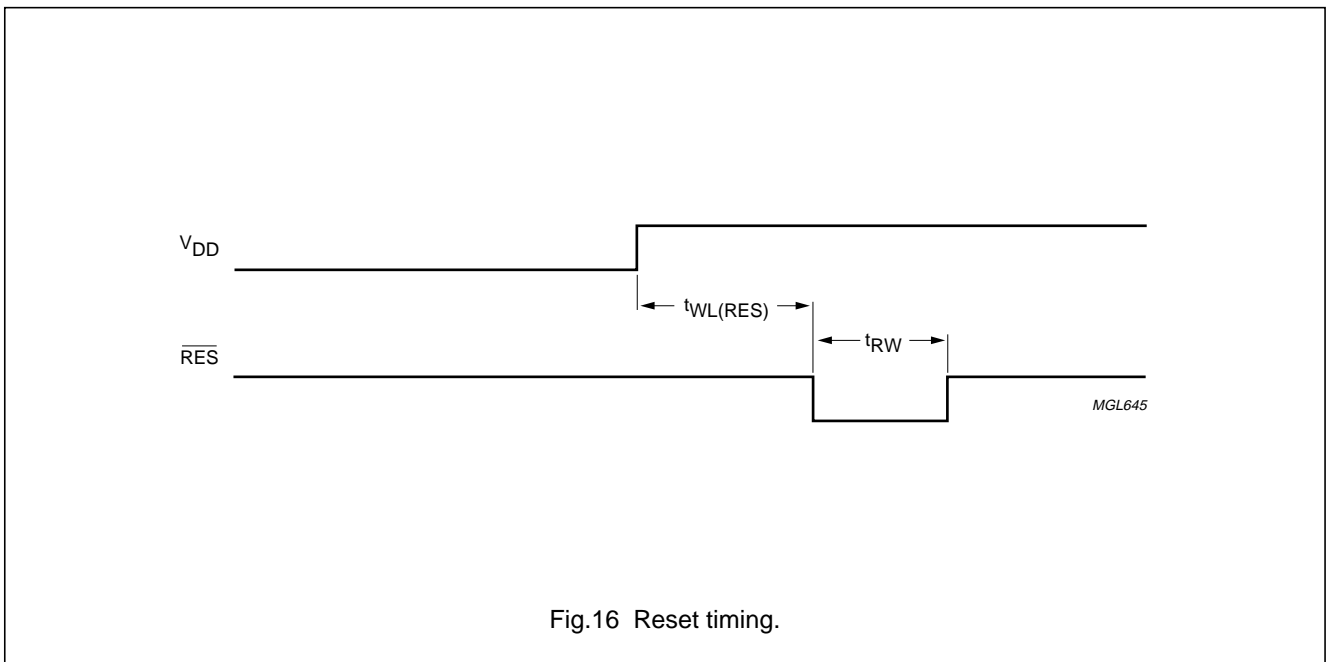


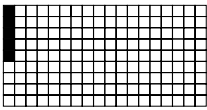
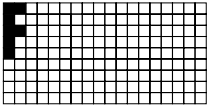
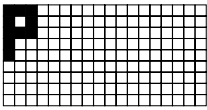
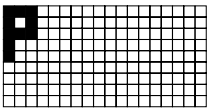
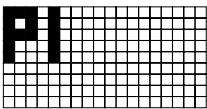
Fig.16 Reset timing.

48 × 84 pixels matrix LCD controller/driver

PCD8544

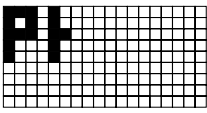
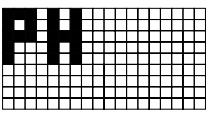
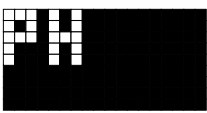
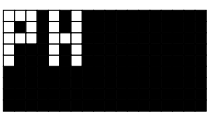
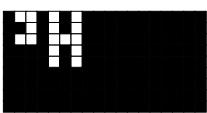
13 APPLICATION INFORMATION

Table 6 Programming example

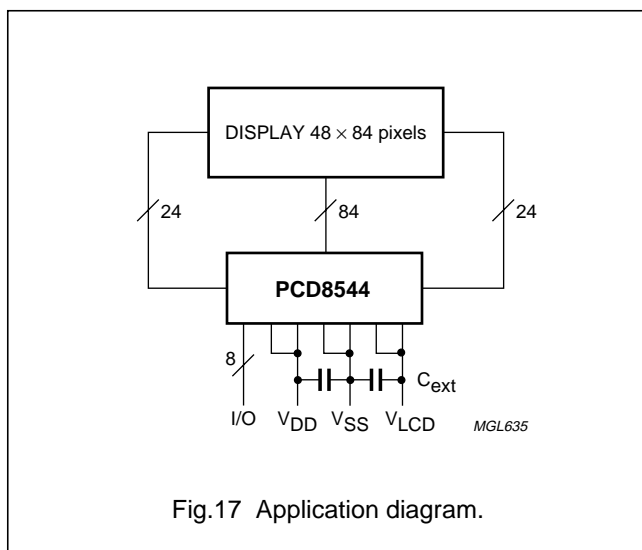
STEP	SERIAL BUS BYTE									DISPLAY	OPERATION
	D/C	DB7	DB6	DB5	DB4	DB3	DB2	DB1	DB0		
1	start										SCE is going LOW
2	0	0	0	1	0	0	0	0	1		function set PD = 0 and V = 0, select extended instruction set (H = 1 mode)
3	0	1	0	0	1	0	0	0	0		set V <sub>OP</sub> ; V <sub>OP</sub> is set to a +16 × b [V]
4	0	0	0	1	0	0	0	0	0		function set PD = 0 and V = 0, select normal instruction set (H = 0 mode)
5	0	0	0	0	0	1	1	0	0		display control set normal mode (D = 1 and E = 0)
6	1	0	0	0	1	1	1	1	1	 <small>MGL673</small>	data write Y and X are initialized to 0 by default, so they are not set here
7	1	0	0	0	0	0	1	0	1	 <small>MGL674</small>	data write
8	1	0	0	0	0	0	1	1	1	 <small>MGL675</small>	data write
9	1	0	0	0	0	0	0	0	0	 <small>MGL675</small>	data write
10	1	0	0	0	1	1	1	1	1	 <small>MGL676</small>	data write

48 × 84 pixels matrix LCD controller/driver

PCD8544

STEP	SERIAL BUS BYTE									DISPLAY	OPERATION
	D/C	DB7	DB6	DB5	DB4	DB3	DB2	DB1	DB0		
11	1	0	0	0	0	0	1	0	0		data write
12	1	0	0	0	1	1	1	1	1		data write
13	0	0	0	0	0	1	1	0	1		display control; set inverse video mode (D = 1 and E = 1)
14	0	1	0	0	0	0	0	0	0		set X address of RAM; set address to '0000000'
15	1	0	0	0	0	0	0	0	0		data write

The pinning is optimized for single plane wiring e.g. for chip-on-glass display modules. Display size: 48 × 84 pixels.



The required minimum value for the external capacitors is:  $C_{ext} = 1.0 \mu F$ .

Higher capacitor values are recommended for ripple reduction.

14 BONDING PAD LOCATIONS

14.1 Bonding pad information (see Fig.18)

PARAMETER	SIZE
Pad pitch	min. 100 $\mu m$
Pad size, aluminium	80 × 100 $\mu m$
Bump dimensions	59 × 89 × 17.5 ( $\pm 5$ ) $\mu m$
Wafer thickness	max. 380 $\mu m$

# 48 × 84 pixels matrix LCD controller/driver

PCD8544

## 14.2 Bonding pad location

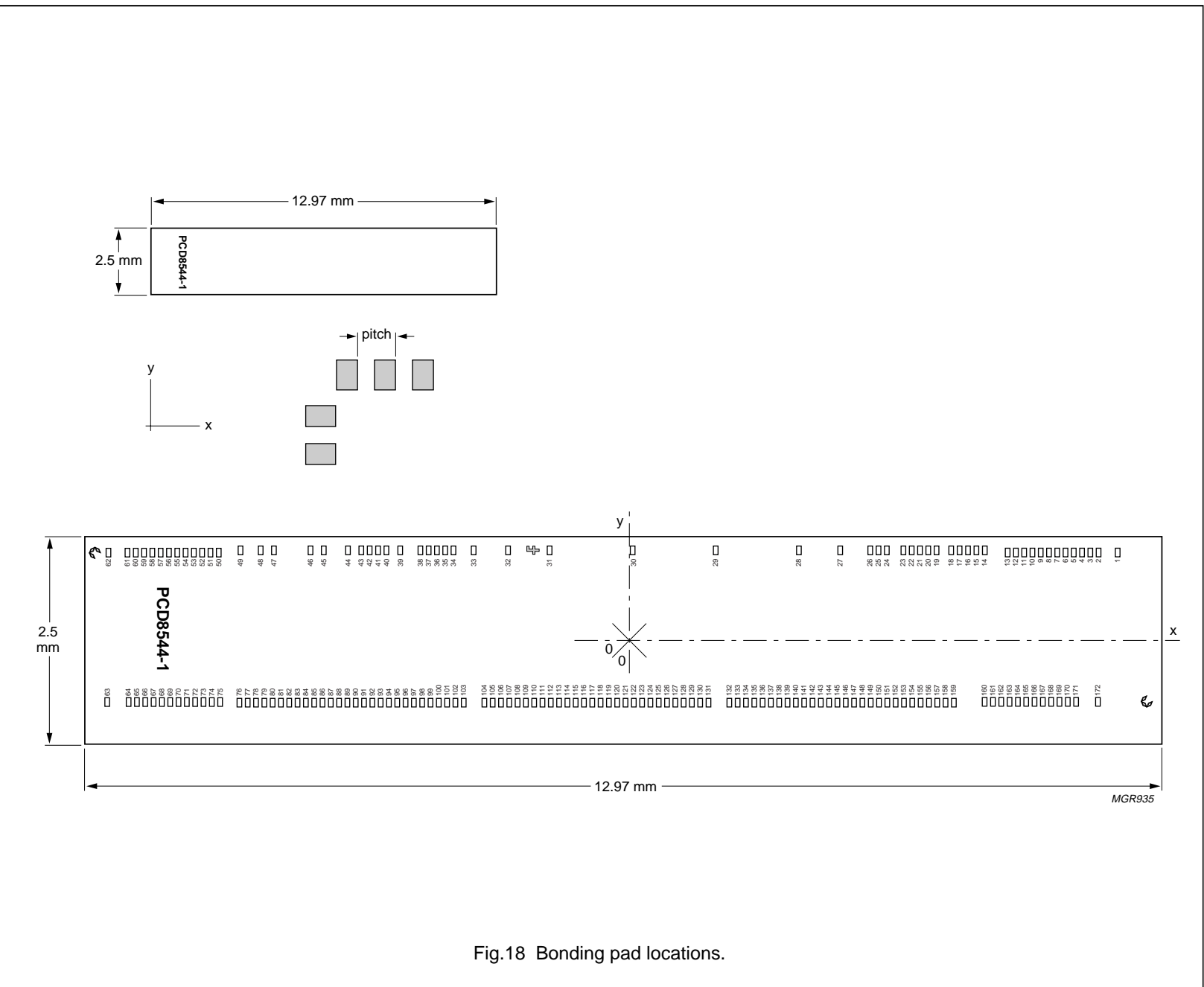


Fig.18 Bonding pad locations.



## 48 × 84 pixels matrix LCD controller/driver

## PCD8544

**Table 7** Bonding pad locations (dimensions in  $\mu\text{m}$ ).  
All X/Y coordinates are referenced to the centre  
of chip (see Fig.18)

PAD	PAD NAME	x	y
1	dummy1	+5932	+1060
2	R36	+5704	+1060
3	R37	+5604	+1060
4	R38	+5504	+1060
5	R39	+5404	+1060
6	R40	+5304	+1060
7	R41	+5204	+1060
8	R42	+5104	+1060
9	R43	+5004	+1060
10	R44	+4904	+1060
11	R45	+4804	+1060
12	R46	+4704	+1060
13	R47	+4604	+1060
14	V <sub>DD1</sub>	+4330	+1085
15	V <sub>DD1</sub>	+4230	+1085
16	V <sub>DD1</sub>	+4130	+1085
17	V <sub>DD1</sub>	+4030	+1085
18	V <sub>DD1</sub>	+3930	+1085
19	V <sub>DD2</sub>	+3750	+1085
20	V <sub>DD2</sub>	+3650	+1085
21	V <sub>DD2</sub>	+3550	+1085
22	V <sub>DD2</sub>	+3450	+1085
23	V <sub>DD2</sub>	+3350	+1085
24	V <sub>DD2</sub>	+3250	+1085
25	V <sub>DD2</sub>	+3150	+1085
26	V <sub>DD2</sub>	+3050	+1085
27	SCLK	+2590	+1085
28	SDIN	+2090	+1085
29	D/C	+1090	+1085
30	SCE	+90	+1085
31	RES	-910	+1085
32	OSC	-1410	+1085
33	T3	-1826	+1085
34	V <sub>SS2</sub>	-2068	+1085
35	V <sub>SS2</sub>	-2168	+1085
36	V <sub>SS2</sub>	-2268	+1085
37	V <sub>SS2</sub>	-2368	+1085
38	V <sub>SS2</sub>	-2468	+1085

PAD	PAD NAME	x	y
39	T4	-2709	+1085
40	V <sub>SS1</sub>	-2876	+1085
41	V <sub>SS1</sub>	-2976	+1085
42	V <sub>SS1</sub>	-3076	+1085
43	V <sub>SS1</sub>	-3176	+1085
44	T1	-3337	+1085
45	V <sub>LCD2</sub>	-3629	+1085
46	V <sub>LCD2</sub>	-3789	+1085
47	V <sub>LCD1</sub>	-4231	+1085
48	V <sub>LCD1</sub>	-4391	+1085
49	T2	-4633	+1085
50	R23	-4894	+1060
51	R22	-4994	+1060
52	R21	-5094	+1060
53	R20	-5194	+1060
54	R19	-5294	+1060
55	R18	-5394	+1060
56	R17	-5494	+1060
57	R16	-5594	+1060
58	R15	-5694	+1060
59	R14	-5794	+1060
60	R13	-5894	+1060
61	R12	-5994	+1060
62	dummy2	-6222	+1060
63	dummy3	-6238	-738
64	R0	-5979	-738
65	R1	-5879	-738
66	R2	-5779	-738
67	R3	-5679	-738
68	R4	-5579	-738
69	R5	-5479	-738
70	R6	-5379	-738
71	R7	-5279	-738
72	R8	-5179	-738
73	R9	-5079	-738
74	R10	-4979	-738
75	R11	-4879	-738
76	C0	-4646	-746

## 48 × 84 pixels matrix LCD controller/driver

## PCD8544

PAD	PAD NAME	x	y
77	C1	-4546	-746
78	C2	-4446	-746
79	C3	-4346	-746
80	C4	-4246	-746
81	C5	-4146	-746
82	C6	-4046	-746
83	C7	-3946	-746
84	C8	-3846	-746
85	C9	-3746	-746
86	C10	-3646	-746
87	C11	-3546	-746
88	C12	-3446	-746
89	C13	-3346	-746
90	C14	-3246	-746
91	C15	-3146	-746
92	C16	-3046	-746
93	C17	-2946	-746
94	C18	-2846	-746
95	C19	-2746	-746
96	C20	-2646	-746
97	C21	-2546	-746
98	C22	-2446	-746
99	C23	-2346	-746
100	C24	-2246	-746
101	C25	-2146	-746
102	C26	-2046	-746
103	C27	-1946	-746
104	C28	-1696	-746
105	C29	-1596	-746
106	C30	-1496	-746
107	C31	-1396	-746
108	C32	-1296	-746
109	C33	-1196	-746
110	C34	-1096	-746
111	C35	-996	-746
112	C36	-896	-746
113	C37	-796	-746
114	C38	-696	-746
115	C39	-596	-746
116	C40	-496	-746
117	C41	-396	-746

PAD	PAD NAME	x	y
118	C42	-296	-746
119	C43	-196	-746
120	C44	-96	-746
121	C45	+4	-746
122	C46	+104	-746
123	C47	+204	-746
124	C48	+304	-746
125	C49	+404	-746
126	C50	+504	-746
127	C51	+604	-746
128	C52	+704	-746
139	C53	+804	-746
130	C54	+904	-746
131	C55	+1004	-746
132	C56	+1254	-746
133	C57	+1354	-746
134	C58	+1454	-746
135	C59	+1554	-746
136	C60	+1654	-746
137	C61	+1754	-746
138	C62	+1854	-746
139	C63	+1954	-746
140	C64	+2054	-746
141	C65	+2154	-746
142	C66	+2254	-746
143	C67	+2354	-746
144	C68	+2454	-746
145	C69	+2554	-746
146	C70	+2654	-746
147	C71	+2754	-746
148	C72	+2854	-746
149	C73	+2954	-746
150	C74	+3054	-746
151	C75	+3154	-746
152	C76	+3254	-746
153	C77	+3354	-746
154	C78	+3454	-746
155	C79	+3554	-746
156	C80	+3654	-746
157	C81	+3754	-746
158	C82	+3854	-746

---

**48 × 84 pixels matrix LCD controller/driver****PCD8544**

---

<b>PAD</b>	<b>PAD NAME</b>	<b>x</b>	<b>y</b>
159	C83	+3954	-746
160	R35	+4328	-738
161	R34	+4428	-738
162	R33	+4528	-738
163	R32	+4628	-738
164	R31	+4728	-738
165	R30	+4828	-738
166	R29	+4928	-738
167	R28	+5028	-738
168	R27	+5128	-738
169	R26	+5228	-738
170	R25	+5328	-738
171	R24	+5428	-738
172	dummy4	+5694	-738

48 × 84 pixels matrix LCD controller/driver

PCD8544

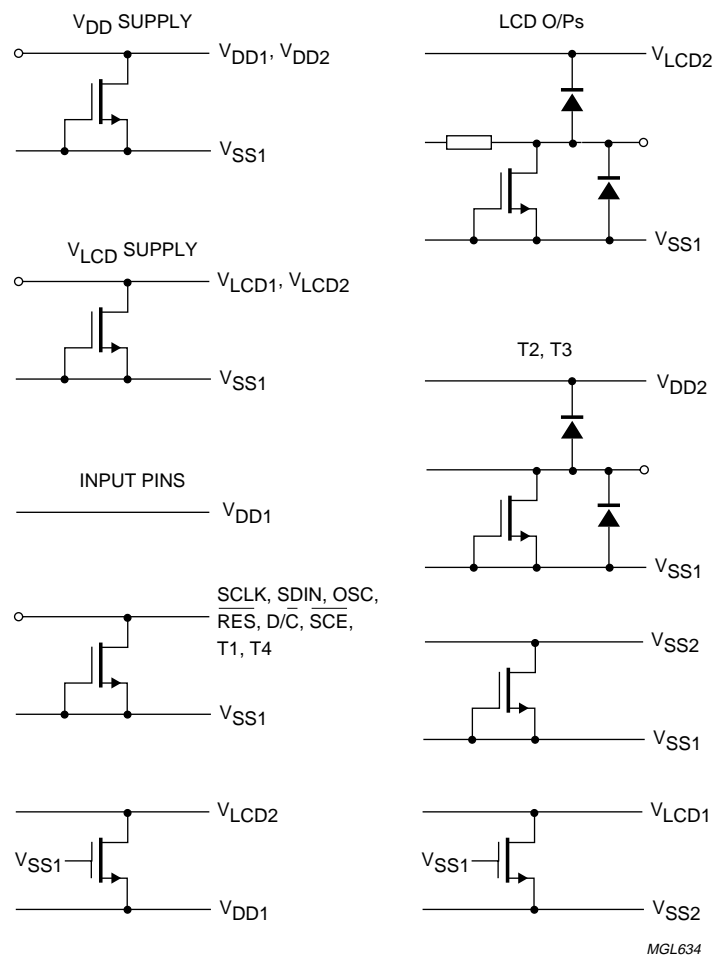


Fig.19 Device protection diagram.

48 × 84 pixels matrix LCD controller/driver

PCD8544

15 TRAY INFORMATION

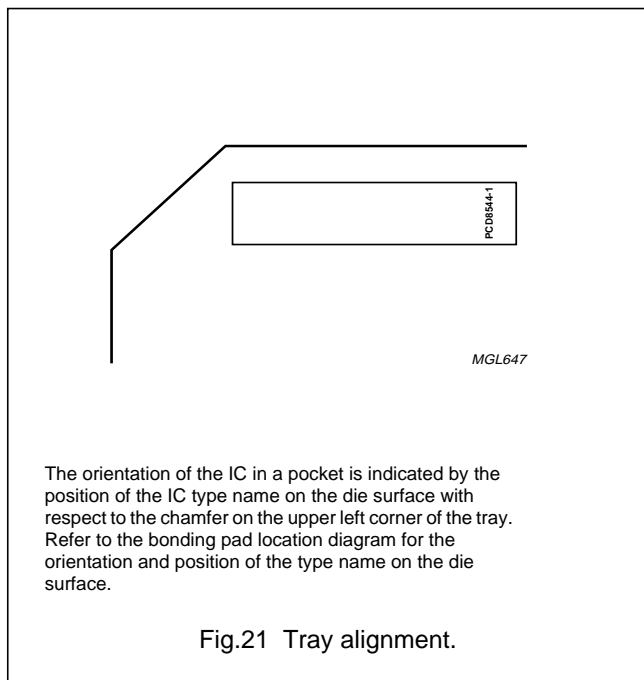
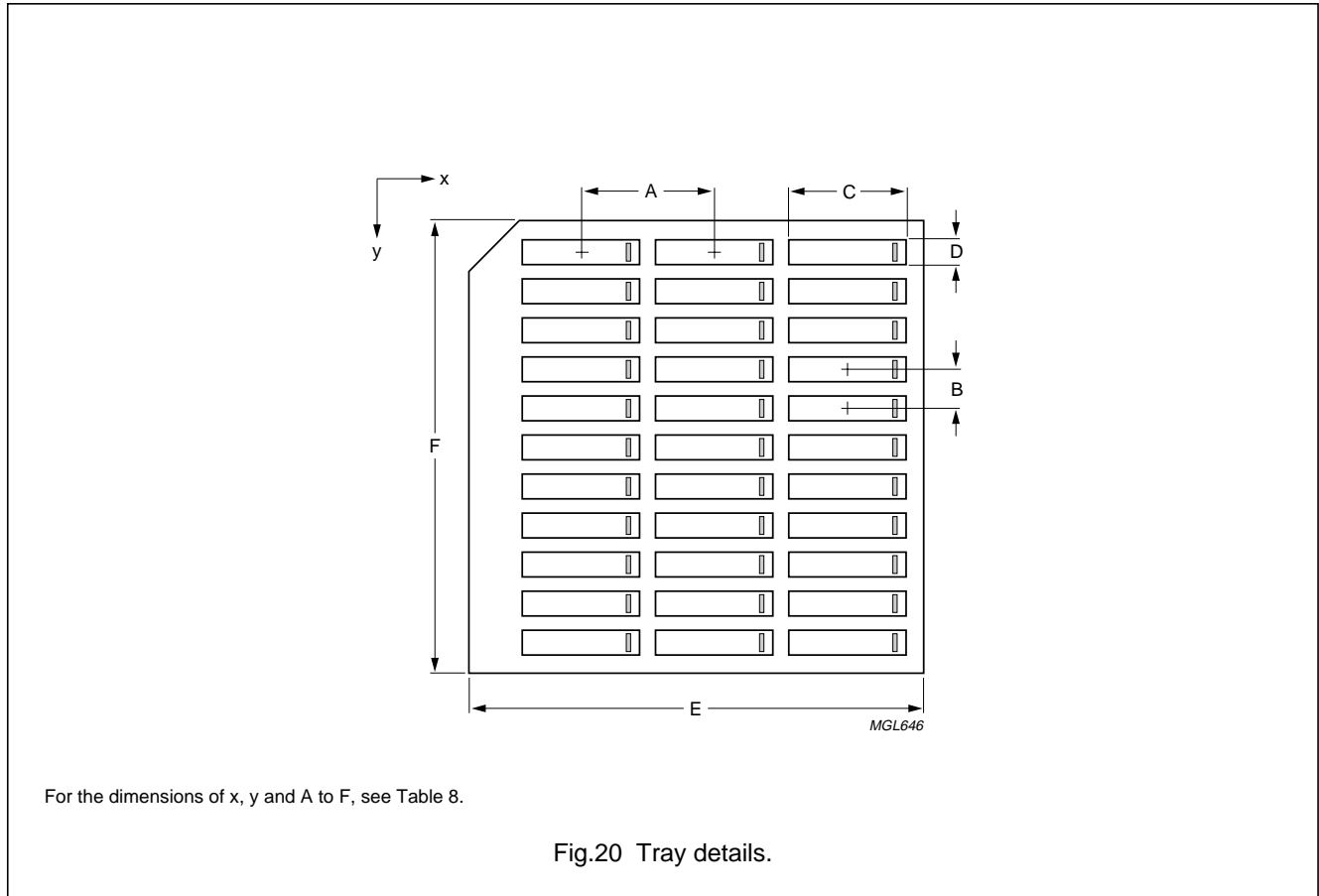


Table 8 Dimensions

DIM.	DESCRIPTION	VALUE
A	pocket pitch, in the x direction	14.82 mm
B	pocket pitch, in the y direction	4.39 mm
C	pocket width, in the x direction	13.27 mm
D	pocket width, in the y direction	2.8 mm
E	tray width, in the x direction	50.67 mm
F	tray width, in the y direction	50.67 mm
x	no. of pockets in the x direction	3
y	no. of pockets in the y direction	11

**48 × 84 pixels matrix LCD controller/driver****PCD8544****16 DEFINITIONS**

<b>Data sheet status</b>	
Objective specification	This data sheet contains target or goal specifications for product development.
Preliminary specification	This data sheet contains preliminary data; supplementary data may be published later.
Product specification	This data sheet contains final product specifications.
<b>Limiting values</b>	
Limiting values given are in accordance with the Absolute Maximum Rating System (IEC 134). Stress above one or more of the limiting values may cause permanent damage to the device. These are stress ratings only and operation of the device at these or at any other conditions above those given in the Characteristics sections of the specification is not implied. Exposure to limiting values for extended periods may affect device reliability.	
<b>Application information</b>	
Where application information is given, it is advisory and does not form part of the specification.	

**17 LIFE SUPPORT APPLICATIONS**

These products are not designed for use in life support appliances, devices, or systems where malfunction of these products can reasonably be expected to result in personal injury. Philips customers using or selling these products for use in such applications do so at their own risk and agree to fully indemnify Philips for any damages resulting from such improper use or sale.

48 × 84 pixels matrix LCD controller/driver

PCD8544

---

**NOTES**

# Philips Semiconductors – a worldwide company

**Argentina:** see South America

**Australia:** 34 Waterloo Road, NORTH RYDE, NSW 2113,  
Tel. +61 2 9805 4455, Fax. +61 2 9805 4466

**Austria:** Computerstr. 6, A-1101 WIEN, P.O. Box 213,  
Tel. +43 1 60 101 1248, Fax. +43 1 60 101 1210

**Belarus:** Hotel Minsk Business Center, Bld. 3, r. 1211, Volodarski Str. 6,  
220050 MINSK, Tel. +375 172 20 0733, Fax. +375 172 20 0773

**Belgium:** see The Netherlands

**Brazil:** see South America

**Bulgaria:** Philips Bulgaria Ltd., Energoproject, 15th floor,  
51 James Bourchier Blvd., 1407 SOFIA,  
Tel. +359 2 68 9211, Fax. +359 2 68 9102

**Canada:** PHILIPS SEMICONDUCTORS/COMPONENTS,  
Tel. +1 800 234 7381, Fax. +1 800 943 0087

**China/Hong Kong:** 501 Hong Kong Industrial Technology Centre,  
72 Tat Chee Avenue, Kowloon Tong, HONG KONG,  
Tel. +852 2319 7888, Fax. +852 2319 7700

**Colombia:** see South America

**Czech Republic:** see Austria

**Denmark:** Sydhavnsgade 23, 1780 COPENHAGEN V,  
Tel. +45 33 29 3333, Fax. +45 33 29 3905

**Finland:** Sinikalliontie 3, FIN-02630 ESPOO,  
Tel. +358 9 615 800, Fax. +358 9 6158 0920

**France:** 51 Rue Carnot, BP317, 92156 SURESNES Cedex,  
Tel. +33 1 4099 6161, Fax. +33 1 4099 6427

**Germany:** Hammerbrookstraße 69, D-20097 HAMBURG,  
Tel. +49 40 2353 60, Fax. +49 40 2353 6300

**Hungary:** see Austria

**India:** Philips INDIA Ltd, Band Box Building, 2nd floor,  
254-D, Dr. Annie Besant Road, Worli, MUMBAI 400 025,  
Tel. +91 22 493 8541, Fax. +91 22 493 0966

**Indonesia:** PT Philips Development Corporation, Semiconductors Division,  
Gedung Philips, Jl. Buncit Raya Kav.99-100, JAKARTA 12510,  
Tel. +62 21 794 0040 ext. 2501, Fax. +62 21 794 0080

**Ireland:** Newstead, Clonskeagh, DUBLIN 14,  
Tel. +353 1 7640 000, Fax. +353 1 7640 200

**Israel:** RAPAC Electronics, 7 Kehilat Saloniki St, PO Box 18053,  
TEL AVIV 61180, Tel. +972 3 645 0444, Fax. +972 3 649 1007

**Italy:** PHILIPS SEMICONDUCTORS, Piazza IV Novembre 3,  
20124 MILANO, Tel. +39 2 6752 2531, Fax. +39 2 6752 2557

**Japan:** Philips Bldg 13-37, Kohnan 2-chome, Minato-ku,  
TOKYO 108-8507, Tel. +81 3 3740 5130, Fax. +81 3 3740 5077

**Korea:** Philips House, 260-199 Itaewon-dong, Yongsan-ku, SEOUL,  
Tel. +82 2 709 1412, Fax. +82 2 709 1415

**Malaysia:** No. 76 Jalan Universiti, 46200 PETALING JAYA, SELANGOR,  
Tel. +60 3 750 5214, Fax. +60 3 757 4880

**Mexico:** 5900 Gateway East, Suite 200, EL PASO, TEXAS 79905,  
Tel. +9-5 800 234 7381, Fax +9-5 800 943 0087

**Middle East:** see Italy

**Netherlands:** Postbus 90050, 5600 PB EINDHOVEN, Bldg. VB,  
Tel. +31 40 27 82785, Fax. +31 40 27 88399

**New Zealand:** 2 Wagener Place, C.P.O. Box 1041, AUCKLAND,  
Tel. +64 9 849 4160, Fax. +64 9 849 7811

**Norway:** Box 1, Manglerud 0612, OSLO,  
Tel. +47 22 74 8000, Fax. +47 22 74 8341

**Pakistan:** see Singapore

**Philippines:** Philips Semiconductors Philippines Inc.,  
106 Valero St. Salcedo Village, P.O. Box 2108 MCC, MAKATI,  
Metro MANILA, Tel. +63 2 816 6380, Fax. +63 2 817 3474

**Poland:** Ul. Lukiska 10, PL 04-123 WARSZAWA,  
Tel. +48 22 612 2831, Fax. +48 22 612 2327

**Portugal:** see Spain

**Romania:** see Italy

**Russia:** Philips Russia, Ul. Usatcheva 35A, 119048 MOSCOW,  
Tel. +7 095 755 6918, Fax. +7 095 755 6919

**Singapore:** Lorong 1, Toa Payoh, SINGAPORE 319762,  
Tel. +65 350 2538, Fax. +65 251 6500

**Slovakia:** see Austria

**Slovenia:** see Italy

**South Africa:** S.A. PHILIPS Pty Ltd., 195-215 Main Road Martindale,  
2092 JOHANNESBURG, P.O. Box 7430 Johannesburg 2000,  
Tel. +27 11 470 5911, Fax. +27 11 470 5494

**South America:** Al. Vicente Pinzon, 173, 6th floor,  
04547-130 SÃO PAULO, SP, Brazil,  
Tel. +55 11 821 2333, Fax. +55 11 821 2382

**Spain:** Balmes 22, 08007 BARCELONA,  
Tel. +34 93 301 6312, Fax. +34 93 301 4107

**Sweden:** Kottbygatan 7, Akalla, S-16485 STOCKHOLM,  
Tel. +46 8 5985 2000, Fax. +46 8 5985 2745

**Switzerland:** Allmendstrasse 140, CH-8027 ZÜRICH,  
Tel. +41 1 488 2741 Fax. +41 1 488 3263

**Taiwan:** Philips Semiconductors, 6F, No. 96, Chien Kuo N. Rd., Sec. 1,  
TAIPEI, Taiwan Tel. +886 2 2134 2886, Fax. +886 2 2134 2874

**Thailand:** PHILIPS ELECTRONICS (THAILAND) Ltd.,  
209/2 Sanpavuth-Bangna Road Prakanong, BANGKOK 10260,  
Tel. +66 2 745 4090, Fax. +66 2 398 0793

**Turkey:** Talatpasa Cad. No. 5, 80640 GÜLTEPE/ISTANBUL,  
Tel. +90 212 279 2770, Fax. +90 212 282 6707

**Ukraine:** PHILIPS UKRAINE, 4 Patrice Lumumba str., Building B, Floor 7,  
252042 KIEV, Tel. +380 44 264 2776, Fax. +380 44 268 0461

**United Kingdom:** Philips Semiconductors Ltd., 276 Bath Road, Hayes,  
MIDDLESEX UB3 5BX, Tel. +44 181 730 5000, Fax. +44 181 754 8421

**United States:** 811 East Arques Avenue, SUNNYVALE, CA 94088-3409,  
Tel. +1 800 234 7381, Fax. +1 800 943 0087

**Uruguay:** see South America

**Vietnam:** see Singapore

**Yugoslavia:** PHILIPS, Trg N. Pasica 5/v, 11000 BEOGRAD,  
Tel. +381 11 62 5344, Fax. +381 11 63 5777

**For all other countries apply to:** Philips Semiconductors,  
International Marketing & Sales Communications, Building BE-p, P.O. Box 218,  
5600 MD EINDHOVEN, The Netherlands, Fax. +31 40 27 24825

**Internet:** <http://www.semiconductors.philips.com>

© Philips Electronics N.V. 1999

SCA63

All rights are reserved. Reproduction in whole or in part is prohibited without the prior written consent of the copyright owner.

The information presented in this document does not form part of any quotation or contract, is believed to be accurate and reliable and may be changed without notice. No liability will be accepted by the publisher for any consequence of its use. Publication thereof does not convey nor imply any license under patent- or other industrial or intellectual property rights.

Printed in The Netherlands

465008/750/01/pp32

Date of release: 1999 Apr 12

Document order number: 9397 750 05024

*Let's make things better.*

**Philips  
Semiconductors**



**PHILIPS**