

Power Relay Series 功率继电器系列--QYT90-1

FEATURES特点

- Up to 60 A contact switching capability
高达60A触点切换能力
- 4kV dielectric strength (between coil and contacts)
线圈与触点间介质耐压4000V
- sealed types and opened types
可提供密封型或敞开型
- Outline dimensions (32.2X27.5X19) mm.
外形尺寸 (32.2X27X19) mm。



CONTACT PARAMETERS触点参数

Model Series型号系列	QYT90-1(30A)	QYT90-1(40A)	QYT90-1(50A)	QYT90-1(60A)
Rating Load (Resistive) 额定负载	30A 250VAC/30VDC	40A 250VAC/30VDC	50A 250VAC/30VDC	60A 250VAC/30VDC
Max. Switching Current最大切换电流	30A	40A	50A	60A
Max.Switching Voltage最大切换电压	250VAC	250VAC	250VAC	250VAC
Max.Switching Power最大切换功率	7500VA/900W	10000VA/1200W	12500VA/1500W	15000VA/1800W

CHARACTERISTICS性能参数

Contact Materials触点材料	Ag Alloy银合金		
Contact Resistance接触电阻	50mΩ Max.		
Operate Time吸合时间	15msec.Max.		
Release Time释放时间	10msec.Max.		
Insulation Resistance绝缘电阻	100MΩ Min.(DC500V)		
Initial Dielectric Strength介质耐压	Between open contacts: 触点与触点间:	AC1,500V,50/60Hz 1Min.	
	Between contacts and coil: 触点与线圈间:	AC4,000V,50/60Hz 1Min.	
Vibration Resistance抗振动	Damage limits: 耐久:	10~55Hz Double Amplitude双振幅1.5mm	
	Malfunction: 误动作:	10~55Hz Double Amplitude双振幅1.5mm	
Shock Resistance抗冲击	Damage limits: 耐久:	100G Min.	
	Malfunction: 误动作:	10G Min.	
Life寿命	Mechanical Life (10800 per hour) 机械寿命 (每小时10800次)	1×10 ⁷	
	Electrical Life (600 per hour) 电气寿命 (每小时600次)	1×10 ⁵	
Ambient Temperature环境温度	-40℃~+105℃ (No condensation) (不冷凝)		
Unit Weight单位重量	Open敞开式: 约Approx.20.0g Sealed密封式: 约Approx.24.0g		

COIL RATINGS (at20°C) 线圈参数 (在20°C)

Coil Nominal Voltage 额定电压 (VDC)	Nominal Current 额定电流 ±10%(mA)	Coil Resistance 线圈电阻 ±10% (Ω)	Max. Continuous Voltage 最大连续外加电压	Pick-Up Voltage 吸合电压 (Max)	Drop-Out Voltage 释放电压 (Min)	Rated power 额定功率
5	180.00	27	Coil Nominal Voltage 130% 额定电压的 130%	Coil Nominal Voltage 75% 额定电压的 75%	Coil Nominal Voltage 5% 额定电压的 5%	About 0.90W 约0.90VW
6	150.00	40				
9	100.00	90				
12	75.00	160				
15	60.00	250				
18	50.00	360				
24	37.50	640				
48	18.75	2,560				

Coil Nominal Voltage 额定电压 (VDC)	Nominal Current 额定电流 ±10%(mA)	Coil Resistance 线圈电阻 ±10% (Ω)	Max. Continuous Voltage 最大连续外加电压	Pick-Up Voltage 吸合电压 (Max)	Drop-Out Voltage 释放电压 (Min)	Rated power 额定功率
6	183.33	33	Coil Nominal Voltage 130% 额定电压的 130%	Coil Nominal Voltage 75% 额定电压的 75%	Coil Nominal Voltage 5% 额定电压的 5%	About 1.1W 约1.1W
12	91.67	131				
24	45.83	524				
48	22.92	2095				

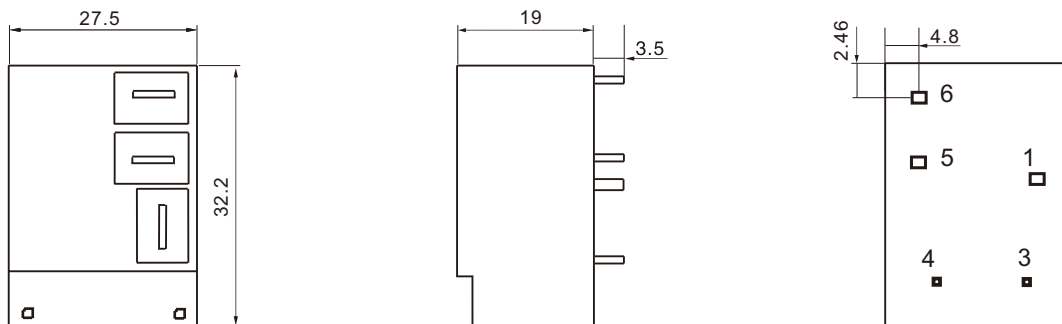
Coil Nominal Voltage 额定电压 (VDC)	Nominal Current 额定电流 ±10%(mA)	Coil Resistance 线圈电阻 ±10% (Ω)	Max. Continuous Voltage 最大连续外加电压	Pick-Up Voltage 吸合电压 (Max)	Drop-Out Voltage 释放电压 (Min)	Rated power 额定功率
6	266.67	22.5	Coil Nominal Voltage 130% 额定电压的 130%	Coil Nominal Voltage 75% 额定电压的 75%	Coil Nominal Voltage 5% 额定电压的 5%	About 1.6W 约1.6W
12	133.33	90				
24	66.67	360				
48	33.33	1440				

Coil Nominal Voltage 额定电压 (VAC)	Nominal Current 额定电流 ±10%(mA)	Coil Resistance 线圈电阻 ±10% (Ω)	Max. Continuous Voltage 最大连续外加电压	Pick-Up Voltage 吸合电压 (Max)	Drop-Out Voltage 释放电压 (Min)	Rated power 额定功率
110	18.2	6,043.9	Coil Nominal Voltage 130% 额定电压的 130%	Coil Nominal Voltage 75% 额定电压的 75%	Coil Nominal Voltage 5% 额定电压的 5%	About 2.0VA 约2.0VA
220	9.1	2,4175.8				

ORDERING INFORMATION 订货标记

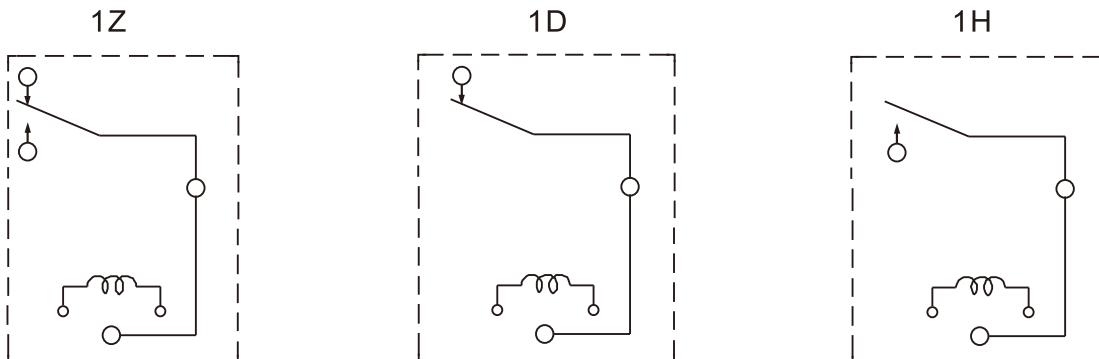
QYT90-1-012DC-H-S-T-F-XXX	
1 2 3 4 5 6 7	
1. Model Number 基本型号: QYT90-1	5. Coil Power: Nil - 0.9 W, T-1.1W, P-1.6W, U-2.0VA 线圈功率: 无- 0.9W, T-1.1W, P-1.6W, U-2.0VA
2. Coil Voltage 线圈规格: VDC - 003DC ~ 48DC VAC - 110AC, 220AC	6. Contact Capacity : Nil-30A, R-40A, F-50A, W-60A 负载电流: 无-30A, R-40A, F-50A, W-60A
3. Contact Form: H-1 Form A, D-1 Form B, Z-1 Form C 触点形式: H-1组常开, D-1组常闭, Z-1组转换	7. Features: XXX- Special Requirements, Nil- Standard Type 特性号: XXX-特殊要求, 无-标准型
4. Enclosure: S-General Type, K-Sealed Type 封装形式: S-标准型, K-密封型	

OUTLINE DIMENSIONS (UNIT:mm) 外形尺寸 (单位: mm)

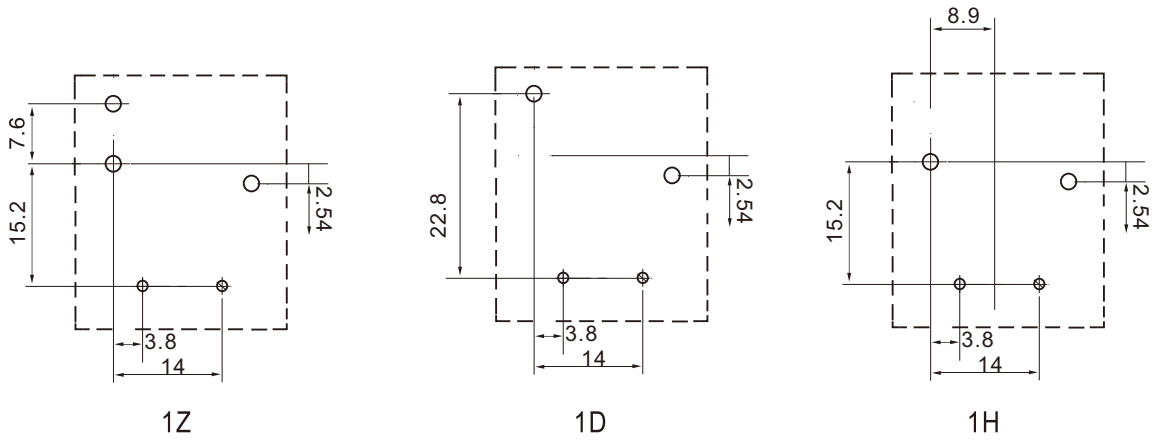


Undimensioned tolerance: <1mm: ±0.2mm 1~5mm: ±0.3mm >5mm: ±0.4mm
未标注尺寸公差: <1mm: ±0.2mm 1~5mm: ±0.3mm >5mm: ±0.4mm

Note: 1. The size of the lead foot is pre welding dimension. 注: 1、引出脚尺寸为预焊前尺寸
2. installation hole size tolerance: + 0.1mm 2、安装孔尺寸公差: ±0.1mm

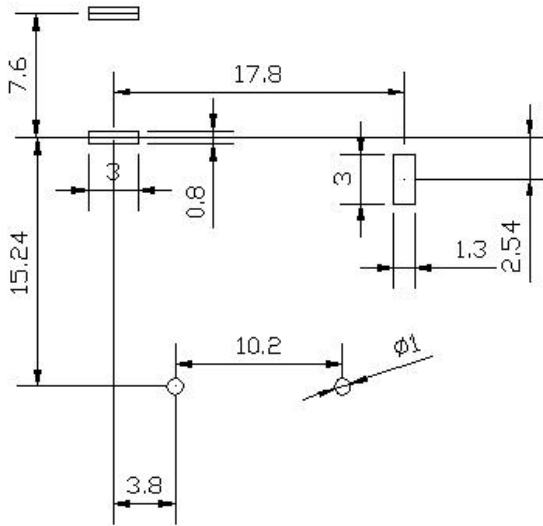


Wiring diagram (bottom view)
接线图 (底视图)



Mounting hole size (bottom view)
安装孔尺寸 (底视图)

宽脚引出尺寸



TYPICAL USE 典型用途

- Thermostat ● Heaters and ventilation ● Air Condition ● Household appliances
- 温控器 ● 加热器和通风装置 ● 空调 ● 家用电器

PERFORMANCE CHART 性能曲线图

