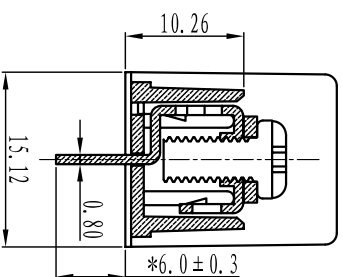
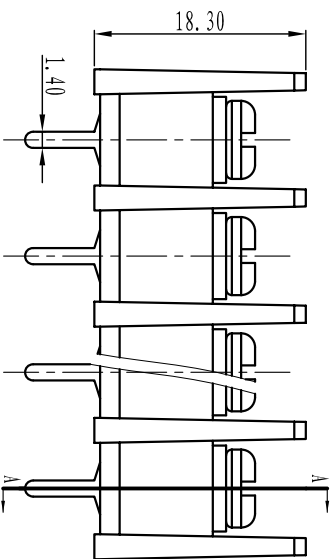


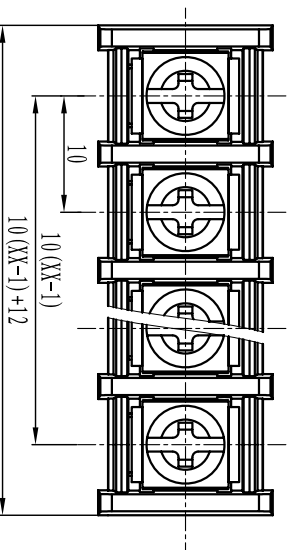


慈溪市万捷电子有限公司  
CIXI WANJIE ELECTRONIC CO., LTD

产品规格书  
product specification



SECTION A-A



电气性能/Electrical  
 参考标准/Standard: UL IEC  
 额定电压/Rated voltage: 300V 750V  
 额定电流/Rated current: 20A 32A  
 使用线径/Wire range: 22-12AWG 4.0mm<sup>2</sup>  
 耐电压/Withstanding voltage: AC2000V/1Min  
 绝缘电阻/Insulation resistance: 500M $\Omega$ /DC500V  
 机械性能/Mechanical  
 温度范围/Temp.Range: -40 $^{\circ}$ C<sup>+</sup>105 $^{\circ}$ C  
 最大锁紧力矩/Max.Torque: 1.2Nm (10.6l b. in)

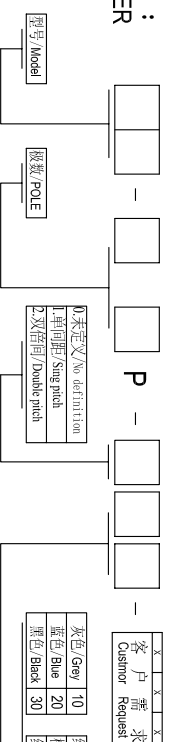
尺寸/Dimensions

间距/Pitch: 10.0mm  
 极数/Poles: 2P-24P  
 材质及电镀/Material  
 塑件/Housing: PA66, UL94V-0  
 螺丝/Screws: M4, steel Ni plated  
 焊脚/Pin header: Brass, 0.8, Tin plated

TOLERANCES EXCEPT AS NOTED

	linear dimension	fillet	chamfer	short angle sid				
variable range	over 6 to 30	over 30 to 120	over 120 to 480	all to 6	over 6 to 10	over 10 to 50	over 50 to 120	all to 5
tolerance	$\pm 0.1$	$\pm 0.2$	$\pm 0.3$	$\pm 0.5$	$\pm 0.9$	$\pm 0.2$	$\pm 0.5$	$\pm 1$
	over 6 to 30	over 30 to 120	over 120 to 480	all to 6	over 6 to 10	over 10 to 50	over 50 to 120	all to 5
	$\pm 0.1$	$\pm 0.2$	$\pm 0.3$	$\pm 0.5$	$\pm 0.9$	$\pm 0.2$	$\pm 0.5$	$\pm 1$
	over 6 to 30	over 30 to 120	over 120 to 480	all to 6	over 6 to 10	over 10 to 50	over 50 to 120	all to 5
	$\pm 0.1$	$\pm 0.2$	$\pm 0.3$	$\pm 0.5$	$\pm 0.9$	$\pm 0.2$	$\pm 0.5$	$\pm 1$

订购方式：  
HOW TO ORDER



单位/UNITS mm 尺寸/SIZE A4 比例/SCALE



慈溪市万捷电子有限公司  
CIXI WANJIE ELECTRONIC CO., LTD

名称/NAME

WJ55C-XTP-11Y-00A

第一视角/FIRST ANGLE PROJECTION

