
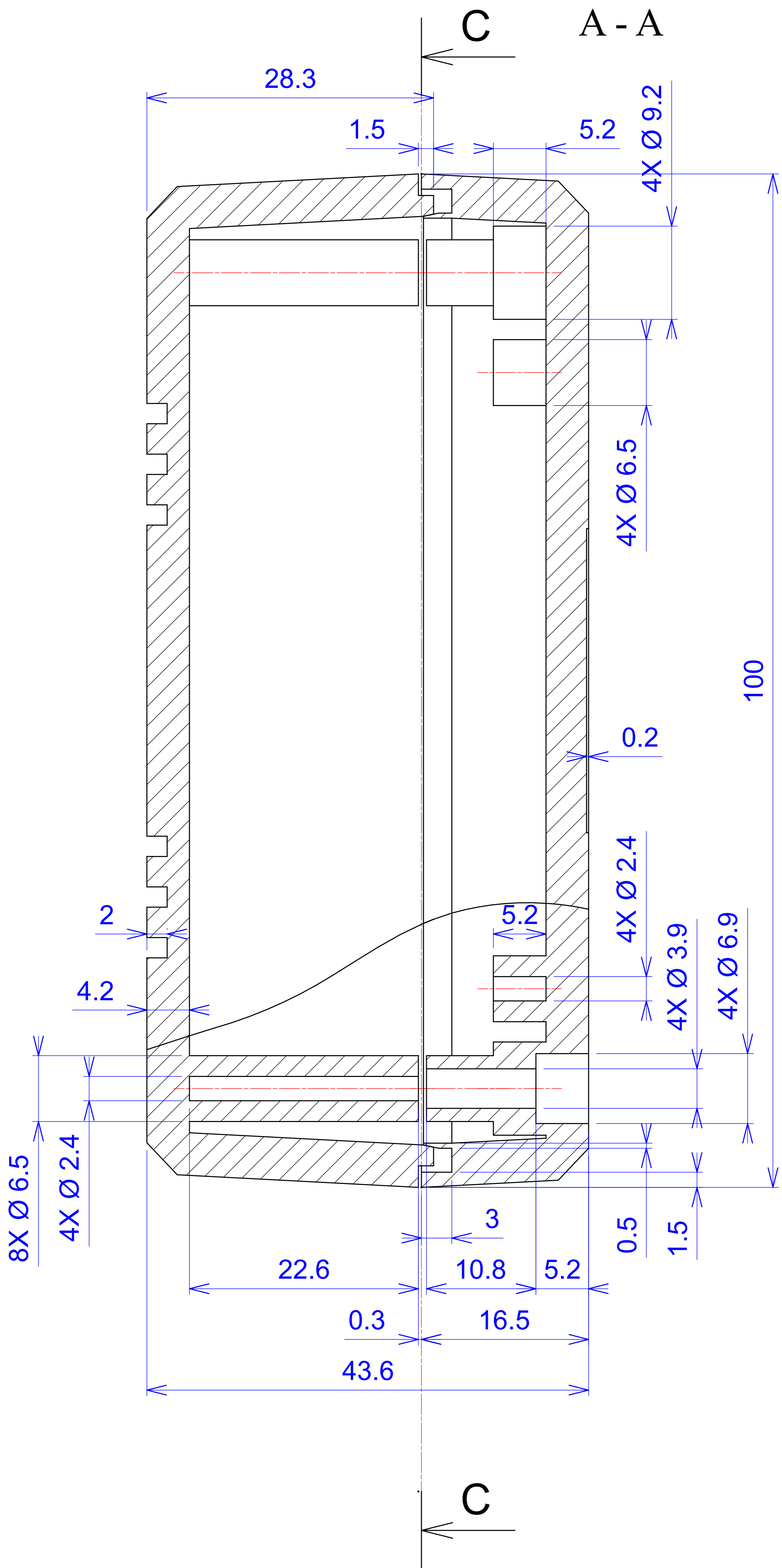
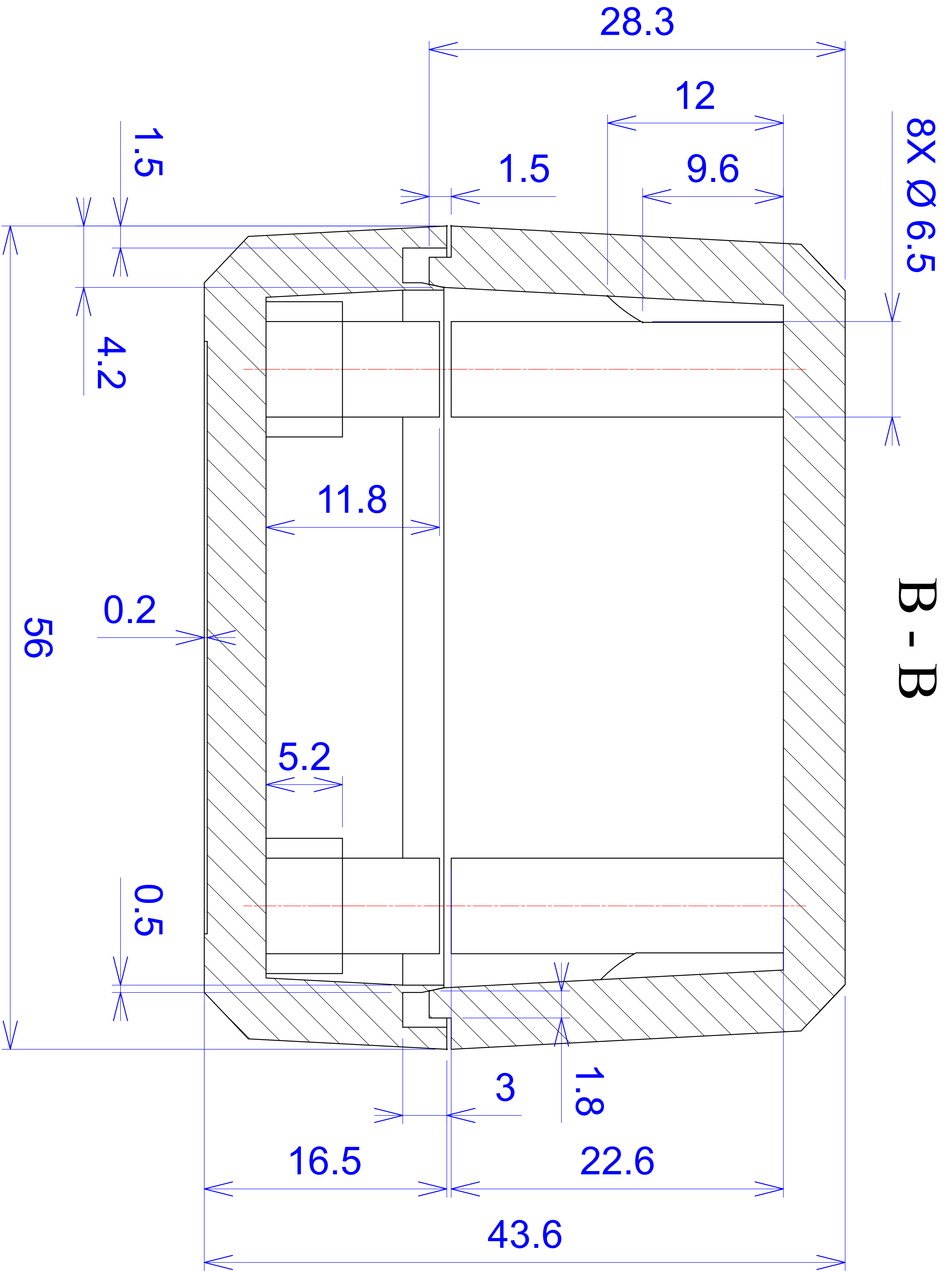
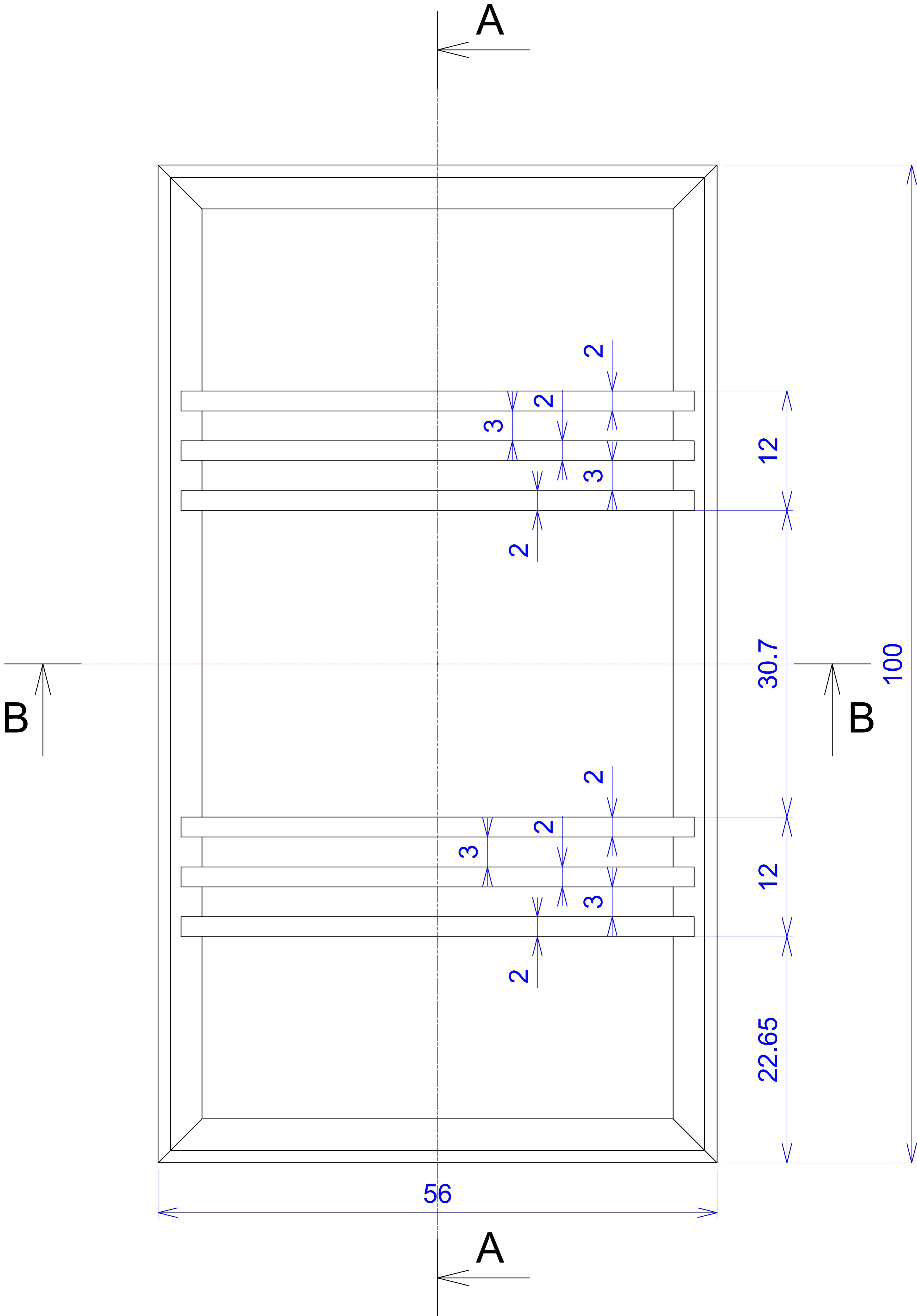
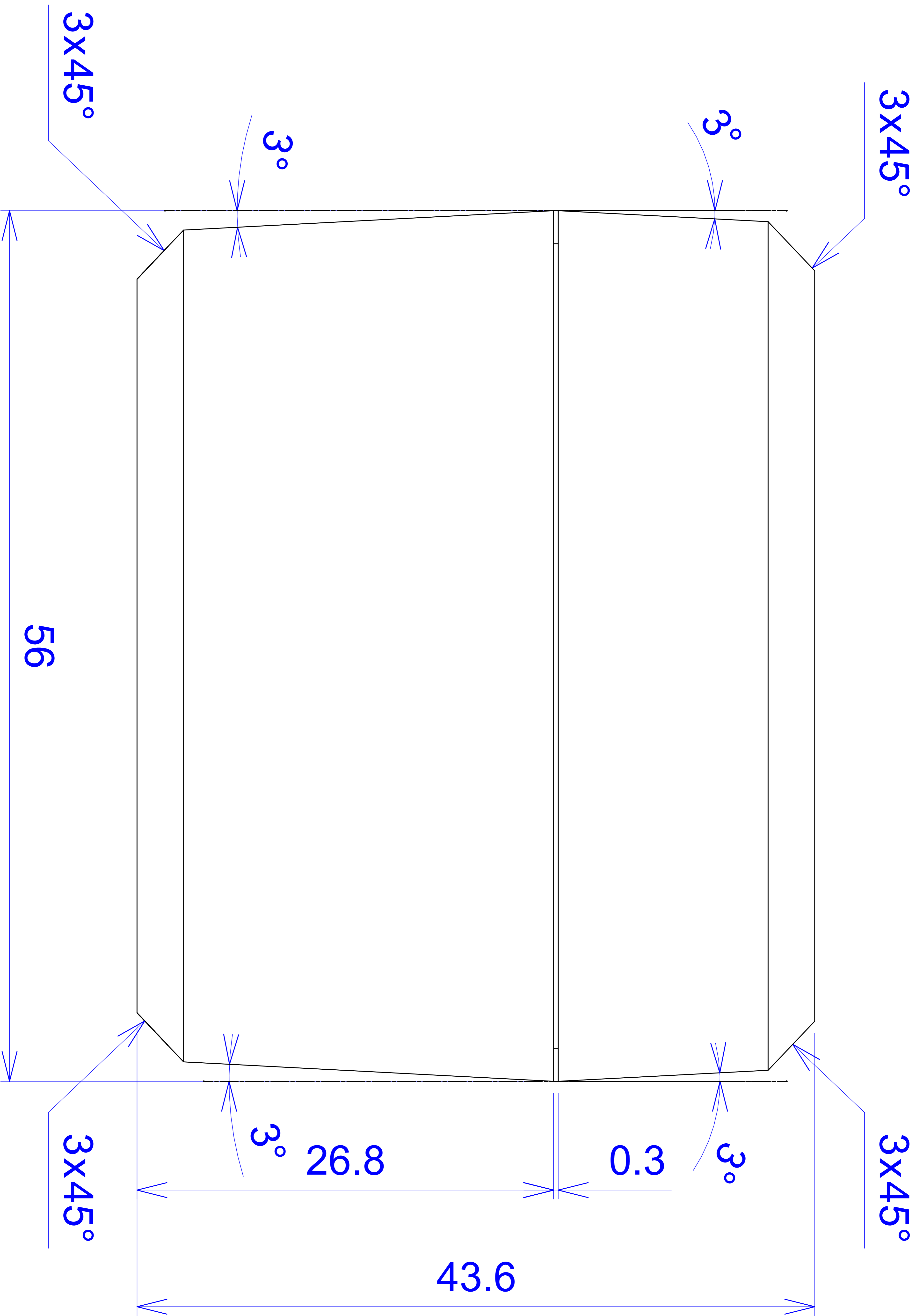


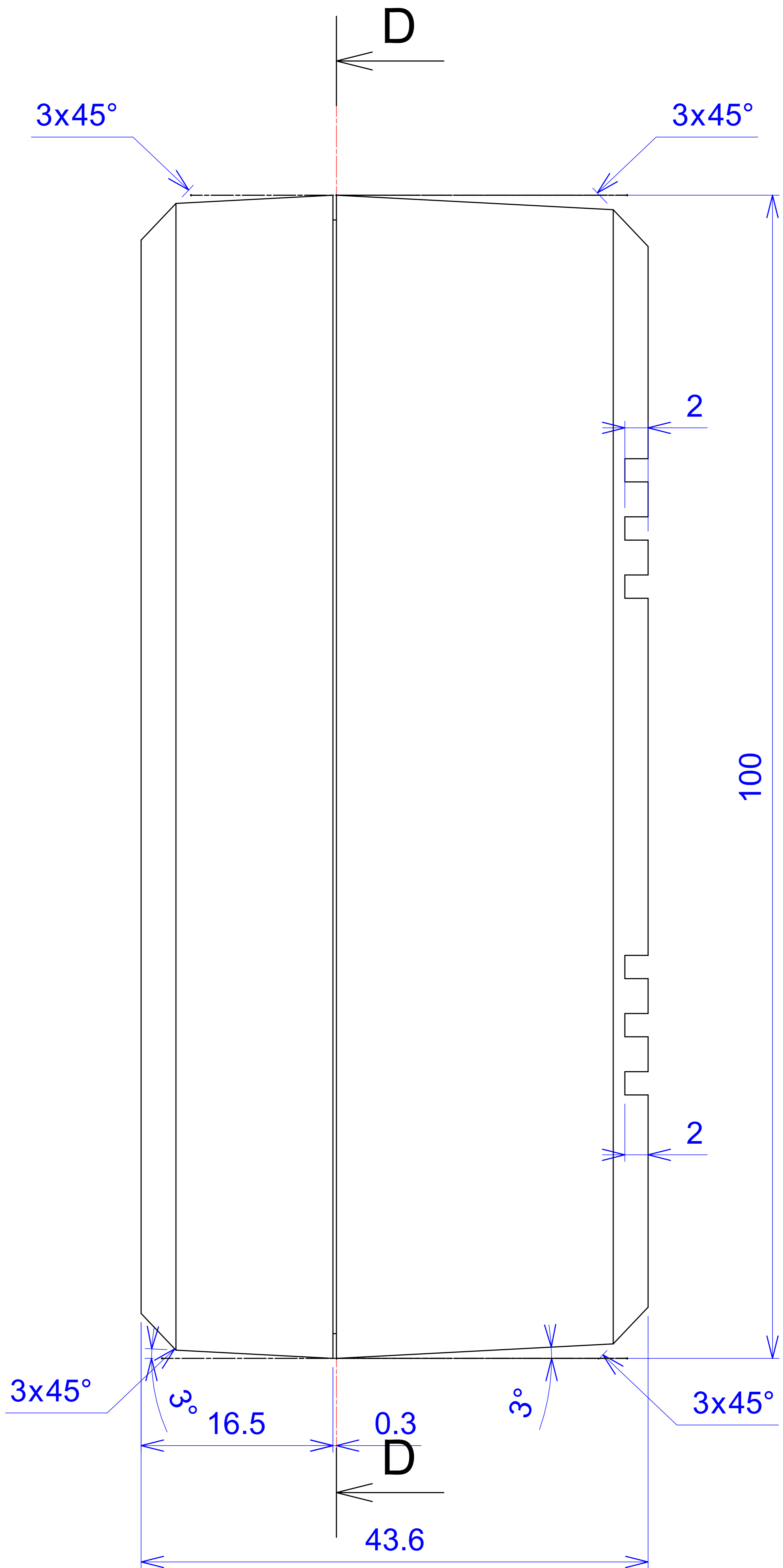
|  |                         |  |
|--|-------------------------|--|
| Model produktu   | <b>Z-45 P</b>           |  |
| Format:  | <b>A4</b>               |  |
| Materiał:  | <b>Polystyrene (PS)</b> |  |
| Skala:   | <b>1:1</b>              |  |
| Tolerancja:  | <b>+/- 0.1</b>          |  |
|                     |                         |  |
| ul. Nadnieprzaska 32<br>04-205 Warszawa<br>Tel: +48 022 613-08-88, Fax: 812-10-68<br>www.kradex.com.pl |                         |  |

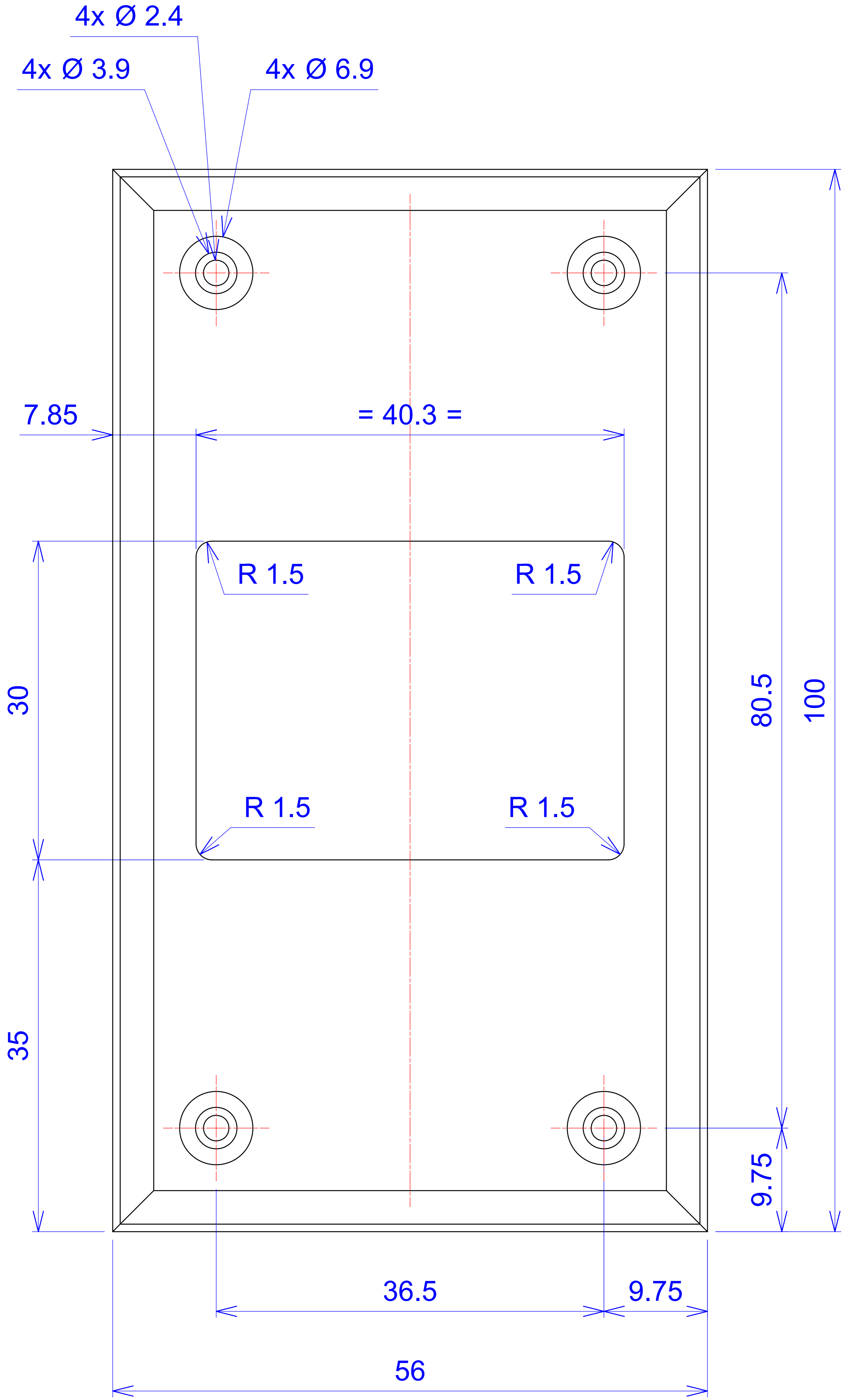












8x Ø 6.5

4x Ø 2.4

C - C

R 1.5

1.2

0.6

R 1.5

4.2

36.5

9.75

56

80.5

100

2

9.75

