

# 120

# AC Fan Series

## x120x25mm

CE RoHS

### GENERAL SPECIFICATIONS

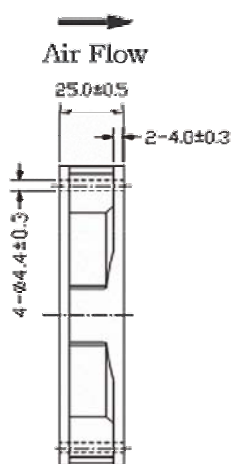
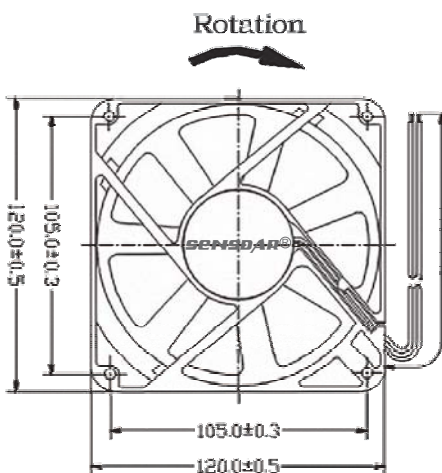
Bearing Type: Sleeve Bearing & Ball Bearing  
 Material: Impeller: Plastic ; Frame: Aluminum Alloy  
 Lead Wire: UL Type  
 Operation Temperature: -10°C-65°C, 35%-85%RH  
 Storage Temperature: -40°C-70°C, 35%-85%RH



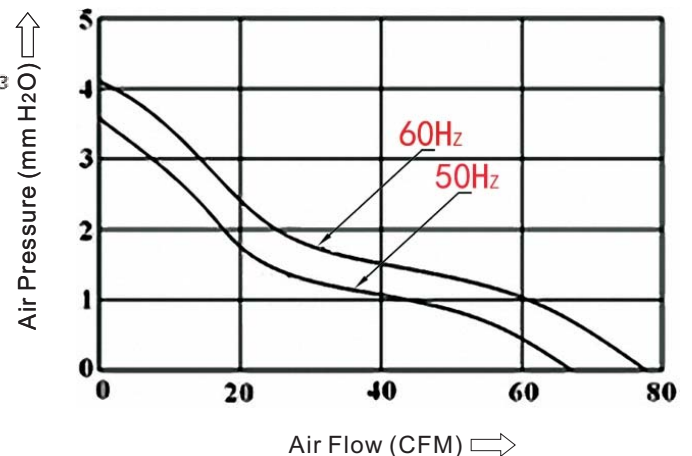
### SPECIFICATIONS

Model	Bearing System		Rated Voltage	Frequency	Rated Current	Rated Input Power	Rated Speed	Air Flow	Air Pressure	Noise Level	Weight
	Ball	Sleeve	VAC	Hz	A	Watt	RPM	CFM	mmH <sub>2</sub> O	dBA	g
SA1225M1S		●	110-125	50/60	0.20/0.18	18/16	2000/2400	57/64	3.3/3.8	40/45	280
SA1225M1B	●		110-125	50/60	0.20/0.18	18/16	2100/2500	57/64	3.3/3.8	40/45	
SA1225M2S		●	200-240	50/60	0.10/0.09	18/16	2000/2400	57/64	3.3/3.8	40/45	
SA1225M2B	●		200-240	50/60	0.10/0.09	18/16	2100/2500	57/64	3.3/3.8	40/45	

### DIMENSIONS DRAWING



### P&Q CURVE (AT RATED VOLTAGE)



Note:

- \*All readings are typical values at rated voltage.
- \*Specifications are subject to change without prior notice.