

# 80

# AC Fan Series

## x80x25mm

CE RoHS

### GENERAL SPECIFICATIONS

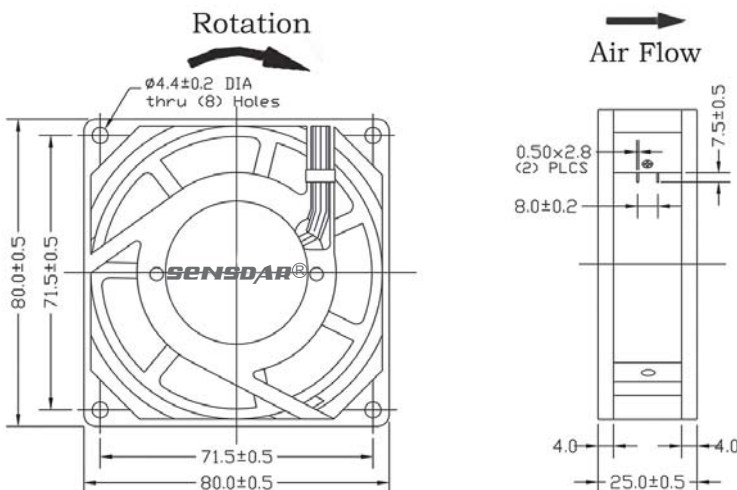
Bearing Type: Sleeve Bearing & Ball Bearing  
 Material: Impeller: Plastic ; Frame: Aluminum Alloy  
 Lead Wire: UL Type  
 Operation Temperature: -10°C-65°C, 35%-85%RH  
 Storage Temperature: -40°C-70°C, 35%-85%RH



### SPECIFICATIONS

Model	Bearing System		Rated Voltage	Freq.	Rated Current	Rated Input Power	Rated Speed	Air Flow	Air Pressure	Noise Level	Weight
	Ball	Sleeve	VAC	Hz	A	Watt	RPM	CFM	mmH <sub>2</sub> O	dBA	g
SA8025M1S		●	110-125	50/60	0.14/0.12	13/11	2300/2500	17/21	3.0/4.6	28/32	230
SA8025M1B	●		110-125	50/60	0.14/0.12	13/11	2400/2600	18/22	3.3/4.8	29/33	
SA8025M2S		●	200-240	50/60	0.07/0.06	13/11	2300/2500	17/21	3.0/4.6	28/32	
SA8025M2B	●		200-240	50/60	0.07/0.06	13/11	2400/2600	18/22	3.3/4.8	29/33	

### DIMENSIONS DRAWING



Note:

\*All readings are typical values at rated voltage.  
 \*Specifications are subject to change without prior notice.

### P&Q CURVE (AT RATED VOLTAGE)

