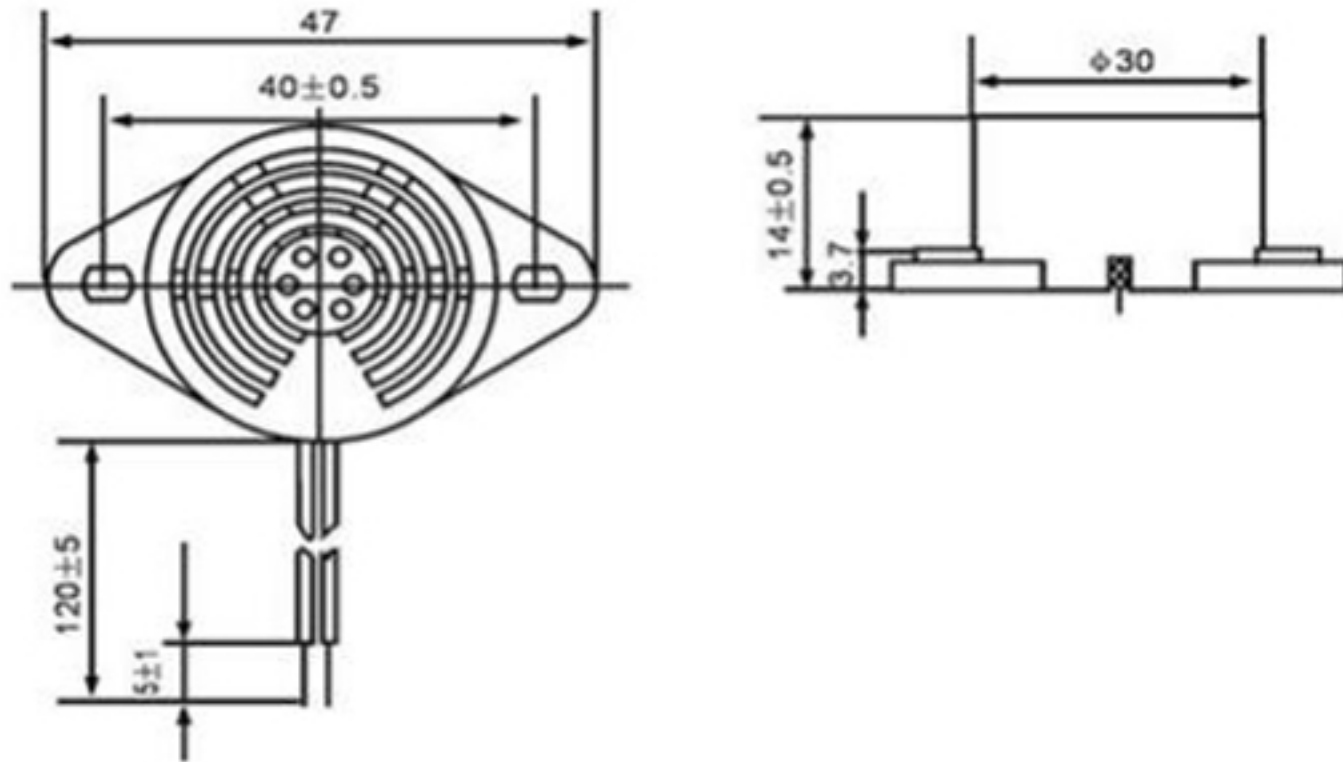


DONGGUAN INGHAI ELECTRONICS CO.,LTD

Model NO: GPD3015L310

A: DIMENSIONS Unit:mm Tolerance:±0.5 线长可定制



B: SPECIFICATIONS

Model NO	GPD3015L310
Rated Voltage	12/24/36VDC
Operating Voltage	12-38VDC
Max.Rated Current	Max.40mA
Sound Pressure level(dB/min) at 10cm	Min.95dB
Resonant Frequency	3100±500Hz
Operating Temperature	-25 °C~+70 °C
Storage Temperature	-30 °C~+75 °C
Housing Material	ABS

Measuring condition

Part shall be measured under a condition (Temperature: 5~35°C, Humidity: 45%~85%R.H., Atmospheric pressure: 860 ~ 1060hPa) unless the standard condition (Temperature: 25±3°C, Humidity: 60±10%R.H. Atmospheric pressure: 860 ~ 1060hPa) is regulated to measure.