

# HEX inverting buffers

# HEF4049B buffers

**DESCRIPTION**

The HEF4049B provides six inverting buffers with high current output capability suitable for driving TTL or high capacitive loads. Since input voltages in excess of the buffers' supply voltage are permitted, the buffers may also be used to convert logic levels of up to 15 V to standard TTL levels. Their guaranteed fan-out into common bipolar logic elements is shown in the table below.

HEF4049BP(N): 16-lead DIL; plastic (SOT38-1)  
 HEF4049BD(F): 16-lead DIL; ceramic (cerdip) (SOT74)  
 HEF4049BT(D): 16-lead SO; plastic (SOT109-1)  
 ( ) : Package Designator North America

**Guaranteed fan-out in common logic families**

DRIVEN ELEMENT	GUARANTEED FAN-OUT
standard TTL	2
74 LS	9
74 L	16

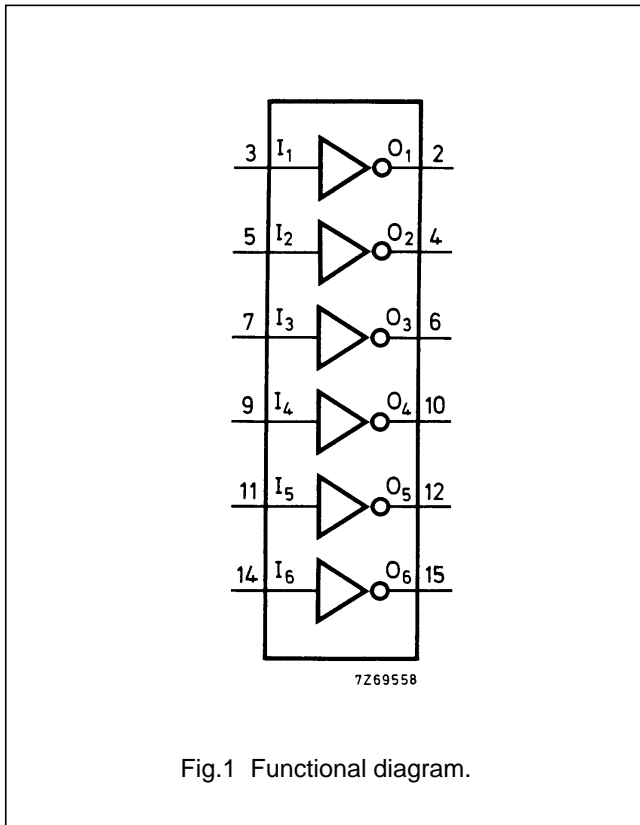


Fig.1 Functional diagram.

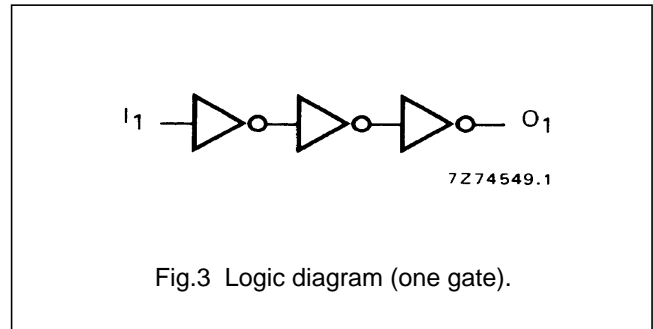


Fig.3 Logic diagram (one gate).

**APPLICATION INFORMATION**

Some examples of applications for the HEF4049B are:

- LOC MOS to DTL/TTL converter
- HIGH sink current for driving 2 TTL loads
- HIGH-to-LOW level logic conversion

**Input protection**

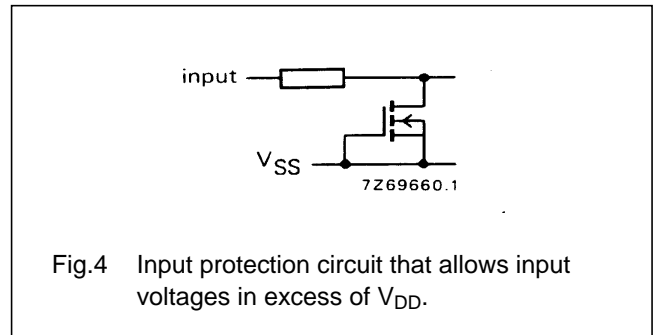


Fig.4 Input protection circuit that allows input voltages in excess of V<sub>DD</sub>.

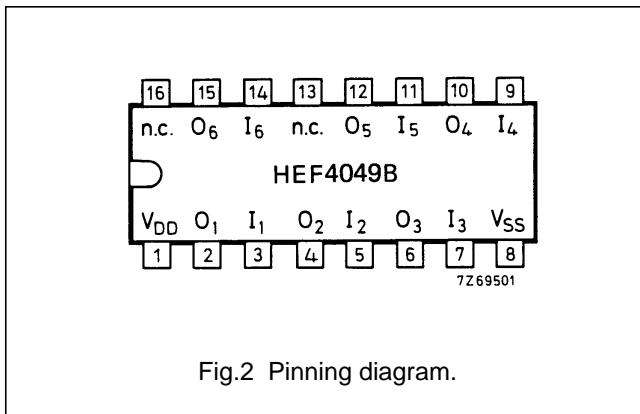


Fig.2 Pinning diagram.

**FAMILY DATA, I<sub>DD</sub> LIMITS category BUFFERS**

See Family Specifications