



DC COMPONENTS CO., LTD.

DISCRETE SEMICONDUCTORS

MPSA42M

TECHNICAL SPECIFICATIONS OF NPN EPITAXIAL PLANAR TRANSISTOR

Description

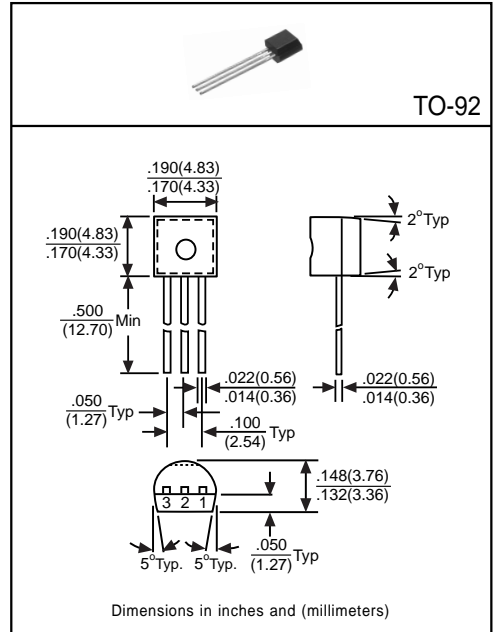
Designed for use as a video output to drive color CRT, or as a dialer circuit in electronic telephone.

Pinning

- 1 = Emitter
- 2 = Base
- 3 = Collector

Absolute Maximum Ratings(T<sub>A</sub>=25°C)

Characteristic	Symbol	Rating	Unit
Collector-Base Voltage	V <sub>CB0</sub>	300	V
Collector-Emitter Voltage	V <sub>CE0</sub>	300	V
Emitter-Base Voltage	V <sub>EB0</sub>	6	V
Collector Current	I <sub>C</sub>	800	mA
Total Power Dissipation	P <sub>D</sub>	625	mW
Junction Temperature	T <sub>J</sub>	+150	°C
Storage Temperature	T <sub>STG</sub>	-55 to +150	°C



Electrical Characteristics

(Ratings at 25°C ambient temperature unless otherwise specified)

Characteristic	Symbol	Min	Typ	Max	Unit	Test Conditions
Collector-Base Breakdown Voltage	BV <sub>CB0</sub>	300	-	-	V	I <sub>C</sub> =100μA, I <sub>E</sub> =0
Collector-Emitter Breakdown Voltage	BV <sub>CE0</sub>	300	-	-	V	I <sub>C</sub> =1mA, I <sub>B</sub> =0
Emitter-Base Breakdown Voltage	BV <sub>EB0</sub>	6	-	-	V	I <sub>E</sub> =10μA, I <sub>C</sub> =0
Emitter Cutoff Current	I <sub>EB0</sub>	-	-	0.1	μA	V <sub>EB</sub> =3V, I <sub>C</sub> =0
Collector-Emitter Saturation Voltage <sup>(1)</sup>	V <sub>CE(sat)1</sub>	-	-	0.2	V	I <sub>C</sub> =20mA, I <sub>B</sub> =2mA
	V <sub>CE(sat)2</sub>	-	-	0.75	V	I <sub>C</sub> =100mA, I <sub>B</sub> =10mA
Base-Emitter Saturation Voltage <sup>(1)</sup>	V <sub>BE(sat)1</sub>	-	-	0.9	V	I <sub>C</sub> =20mA, I <sub>B</sub> =2mA
	V <sub>BE(sat)2</sub>	-	-	1	V	I <sub>C</sub> =100mA, I <sub>B</sub> =10mA
DC Current Gain <sup>(1)</sup>	h <sub>FE1</sub>	80	-	-	-	I <sub>C</sub> =10mA, V <sub>CE</sub> =10V
	h <sub>FE2</sub>	80	-	-	-	I <sub>C</sub> =100mA, V <sub>CE</sub> =10V
	h <sub>FE3</sub>	40	-	-	-	I <sub>C</sub> =200mA, V <sub>CE</sub> =10V
Transition Frequency	f <sub>T</sub>	50	-	-	MHz	I <sub>C</sub> =10mA, V <sub>CE</sub> =20V, f=100MHz

(1) Pulse Test: Pulse Width ≤ 380μs, Duty Cycle ≤ 2%