

Power Relay Series 功率继电器系列 - QYT73-152

FEATURES特点

- 20A contact switching capability
20A触点切换能力
- Plastic sealed and dust protected types available
塑封型和防尘罩型可供选择
- UL insulation system: Class F
UL绝缘等级:F级
- Outline dimensions (21.0X16.0X20.6) mm.
外形尺寸 (21.0X16.0X20.6) mm。



CONTACT PARAMETERS触点参数

Basic model基本型号	QYT73-152
Rating Load (Resistive)额定负载 (阻性)	20A 250VAC 20A 125VAC TV-8
Max. Switching Current最大切换电流	20A
Max. Switching Voltage最大切换电压	250VAC
Max. Switching Power最大切换功率	5000VA

CHARACTERISTICS性能参数

Contact Materials触点材料	Ag Alloy银合金	
Contact Resistance接触电阻	100mΩ Max.	
Operate Time吸合时间	10msec.Max.	
Release Time释放时间	5msec.Max.	
Insulation Resistance绝缘电阻	100MΩ Min.(DC500V)	
Initial Dielectric Strength介质耐压	Between open contacts: 触点与触点间:	AC1,000V,50/60Hz 1Min.
	Between contacts and coil: 触点与线圈间:	AC2,500V,50/60Hz 1Min.
Vibration Resistance抗振动	Damage limits: 耐久:	10~55Hz Double Amplitude双振幅1.5mm
	Malfunction: 误动作:	10~55Hz Double Amplitude双振幅1.5mm
Shock Resistance抗冲击	Damage limits: 耐久:	100G Min.
	Malfunction: 误动作:	10G Min.
Life寿命	Mechanical Life (10800 per hour) 机械寿命 (每小时10800次)	1×10 ⁷
	Electrical Life (1800 per hour) 电气寿命 (每小时1800次)	1×10 ⁵
Ambient Temperature环境温度	-40°C ~ +105°C (No condensation) (不冷凝)	
Unit Weight单位重量	约Approx.14.0g	

COIL RATINGS (at20°C) 线圈参数 (在20°C)

Coil Nominal Voltage 额定电压 (VDC)	Nominal Current 额定电流 ±10%(mA)	Coil Resistance 线圈电阻 ±10% (Ω)	Max. Continuous Voltage 最大连续外加电压	Pick-Up Voltage 吸合电压 (Max)	Drop-Out Voltage 释放电压 (Min)	Rated power 额定功率
3	120.00	25	Coil Nominal Voltage 130% 额定电压的 130%	Coil Nominal Voltage 75% 额定电压的 75%	Coil Nominal Voltage 5% 额定电压的 5%	About 0.36W
5	71.42	70				
6	60.00	100				
9	40.00	225				
12	30.00	400				
15	24.00	625				
18	20.00	900				
24	15.00	1,600				
48	7.50	6,400				
60	6.00	10,000				

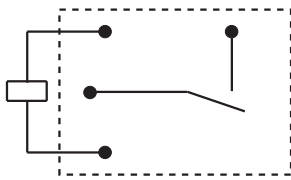
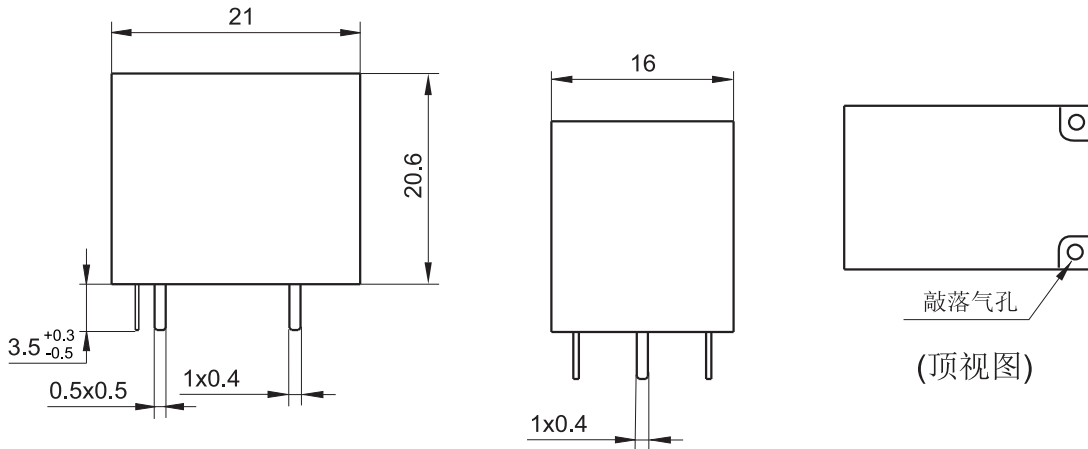
ORDERING INFORMATION 订货标记

QYT73-012DC-H-S- □ - 152 -XXX 1 2 3 4 5 6 7	
1. Model Number基本型号: QYT73	4. Enclosure: S-General Type, K-Sealed Type 封装形式: S-标准型, K-密封型
2. Coil Voltage线圈规格 (VDC): 003DC~048DC	5. Coil Power: Nil - 0.36 W 线圈功率: 无-0.36W
3. Contact Form: H-1 Form A, D-1 Form B, Z-1 Form C 触点形式: H-1组常开, D-1组常闭, Z-1组转换	6. Specific parameters: 152 custom number 特定参数: 152-定制号
	7. Features: XXX- Special Requirements, Nil-Standard Type 特性号: XXX-特殊要求, 无-标准型

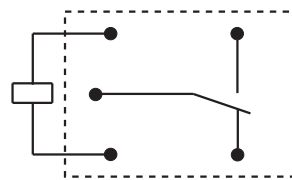
SAFETY STANDARD 安规认证

Approval 认证类别	CQC	TUV	UL/C_UL
Authentication Load 认证负载	10A 277VAC	10A 250VAC	20A 250VAC 20A 125VAC

OUTLINE DIMENSIONS (UNIT:mm)外形尺寸 (单位: mm)

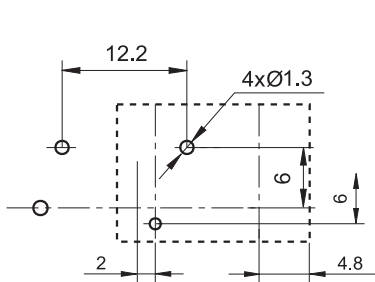


1H

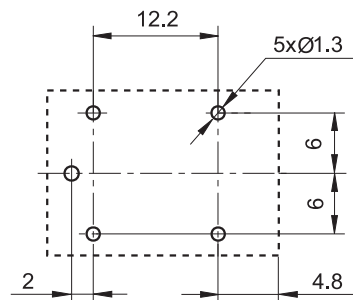


1Z

Mounting hole size (bottom view)
安装孔尺寸 (底视图)



1H



1Z

Wiring diagram (bottom view)
接线图 (底视图)

TYPICAL USE 典型用途

- Vending Machines
- Household appliances: Air conditioning, Electric heaters, Etc..
- Office equipment: Computer, Fax, Etc..
- Smart Home Products
- 家用电器: 空调、电热器等
- 自动售货机
- 办公室设备: 电脑、传真机等
- 智能家居产品

PERFORMANCE CHART性能曲线图

