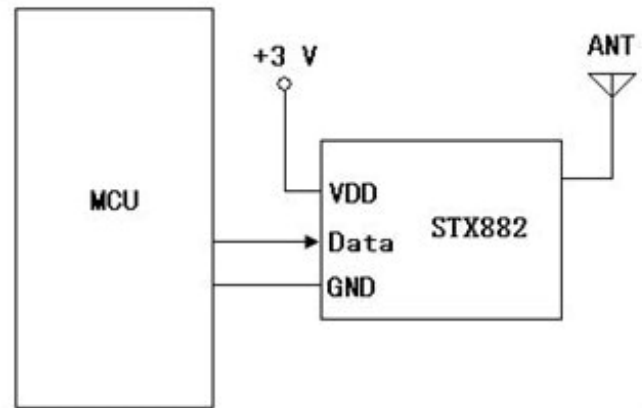


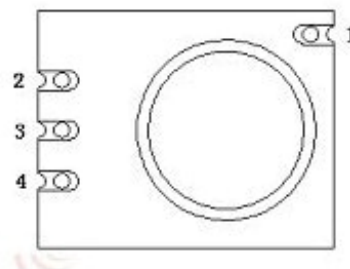
STX882 is a ASK transmitter module with small size, ultra high power, low harmonics. With high stability, it can be achieved at 50mW power when the voltage is 3.6V, it is the maximum transmitter power module under the the same voltage in the market. Data port of the module can be connected to the microcontroller directly, make wireless product development and production more convenient.

Application Circuit:

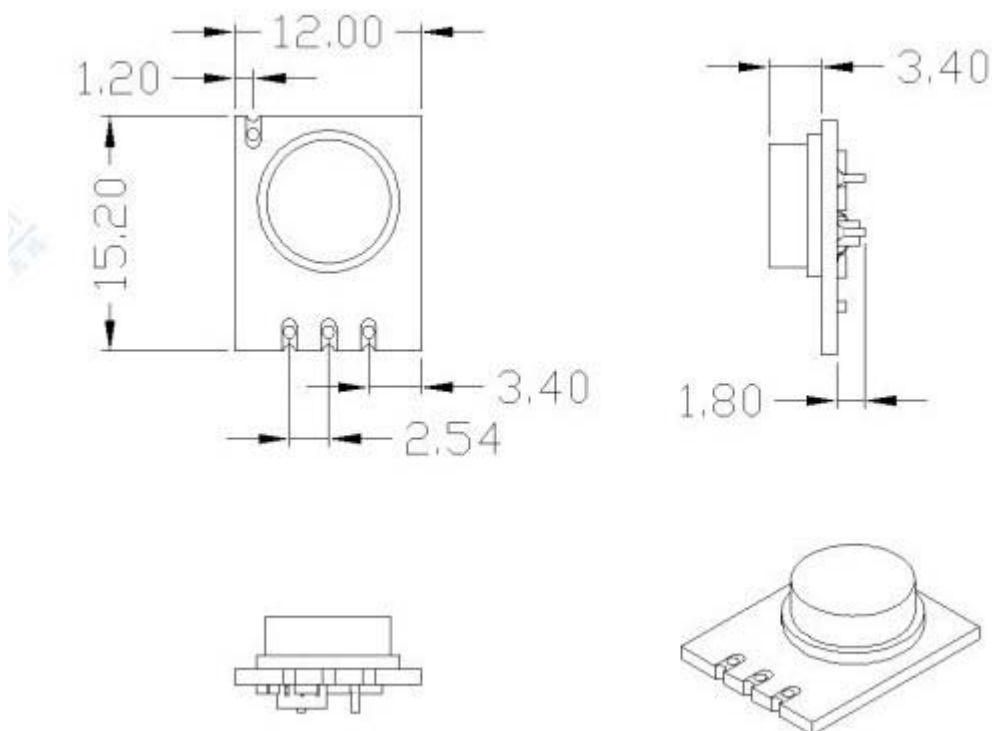


Pin Definition:

- 1: ANT, Antenna Input
- 2: DATA, Data Input
- 3: VCC, Connect Power Positive
- 4: GND, Connect Power Ground



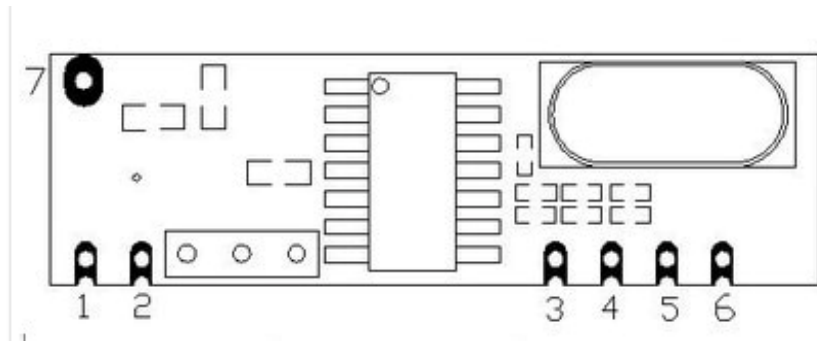
Mechanical Dimension



SRX882 ASK ASK Wireless Remote Control Superheterodyne Receiver Module

SRX882 is a superheterodyne receiver with micro power and strong driving force, is supplementary STX882 / STX888 module. Data port of the module can be connected to the microcontroller directly, make wireless product development and production more convenient.

Pin Definition:



1: ANT, Connect 50 Ohm Antenna

2: GND, Connect Power Ground

3: VCC, Connect Power Positive

4: CS, Modules Enable Pin, Floating or Connected to High Level Work, Sleep When Connect Ground

5: DATA, Data Input

6: GND, Connect Power Ground

7: ANT, Connect 50 Ohm Antenna

Mechanical Dimension

