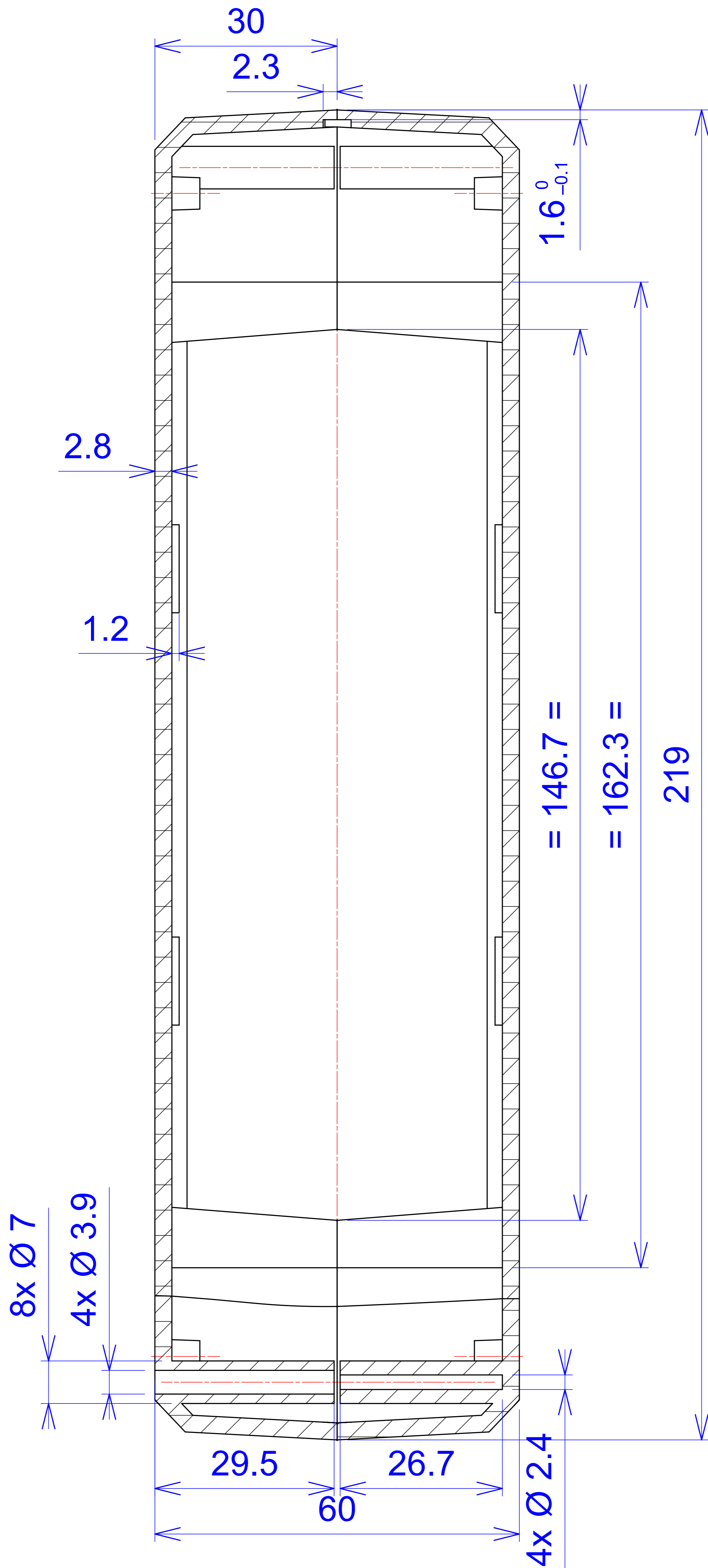
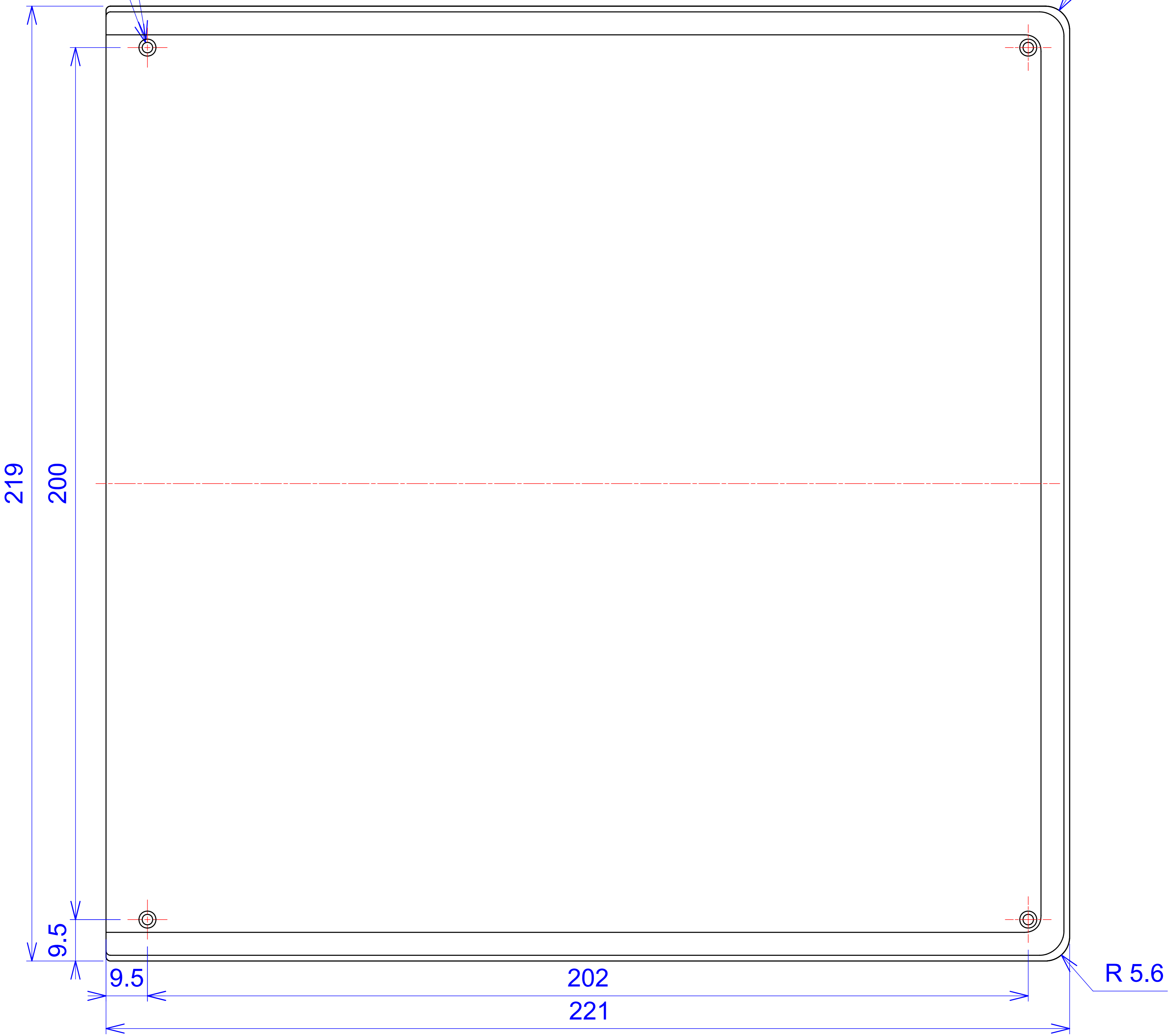


A - A



4x Ø 3.9
4x Ø 2.4

R 5.6



R 5.6

