
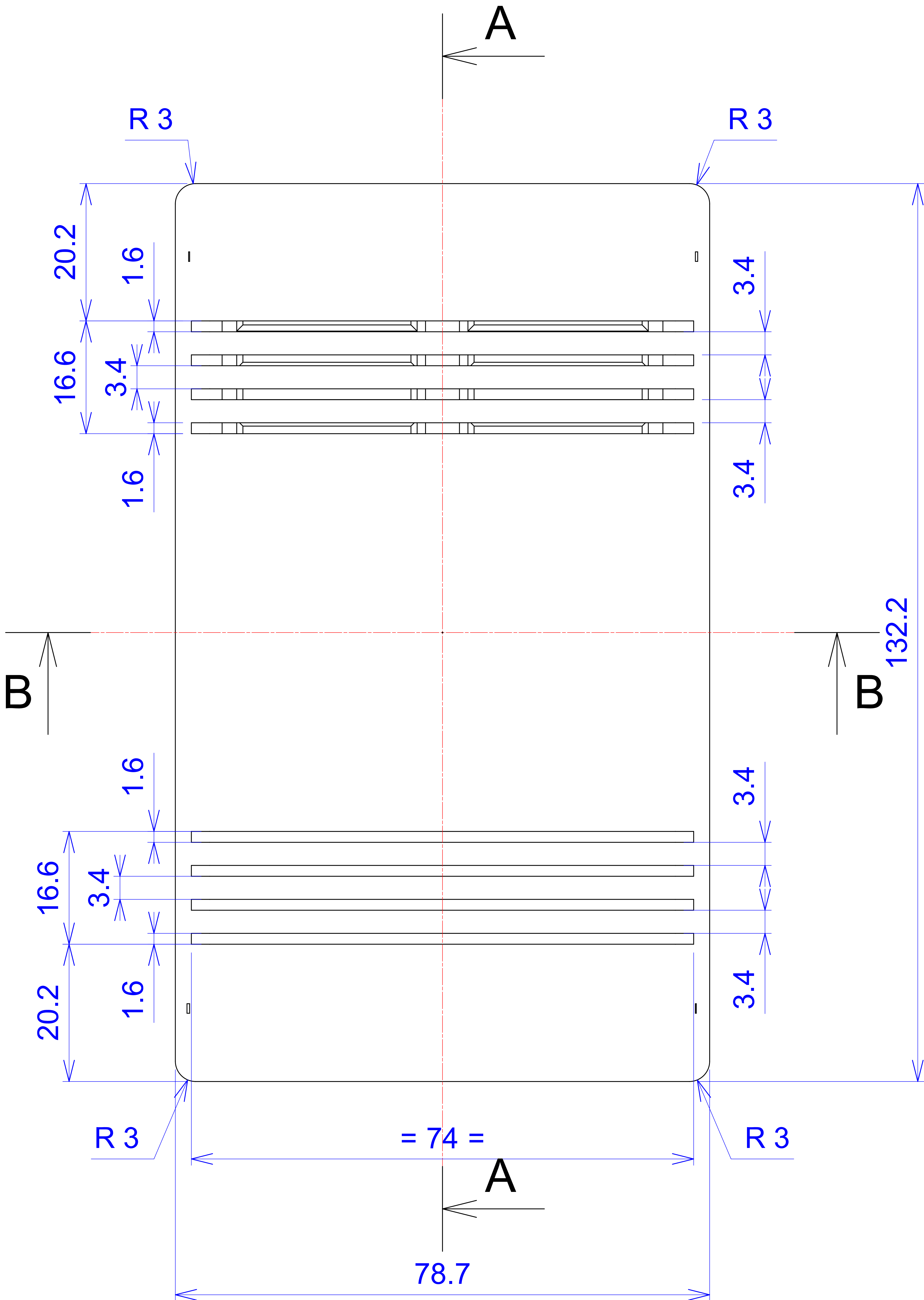
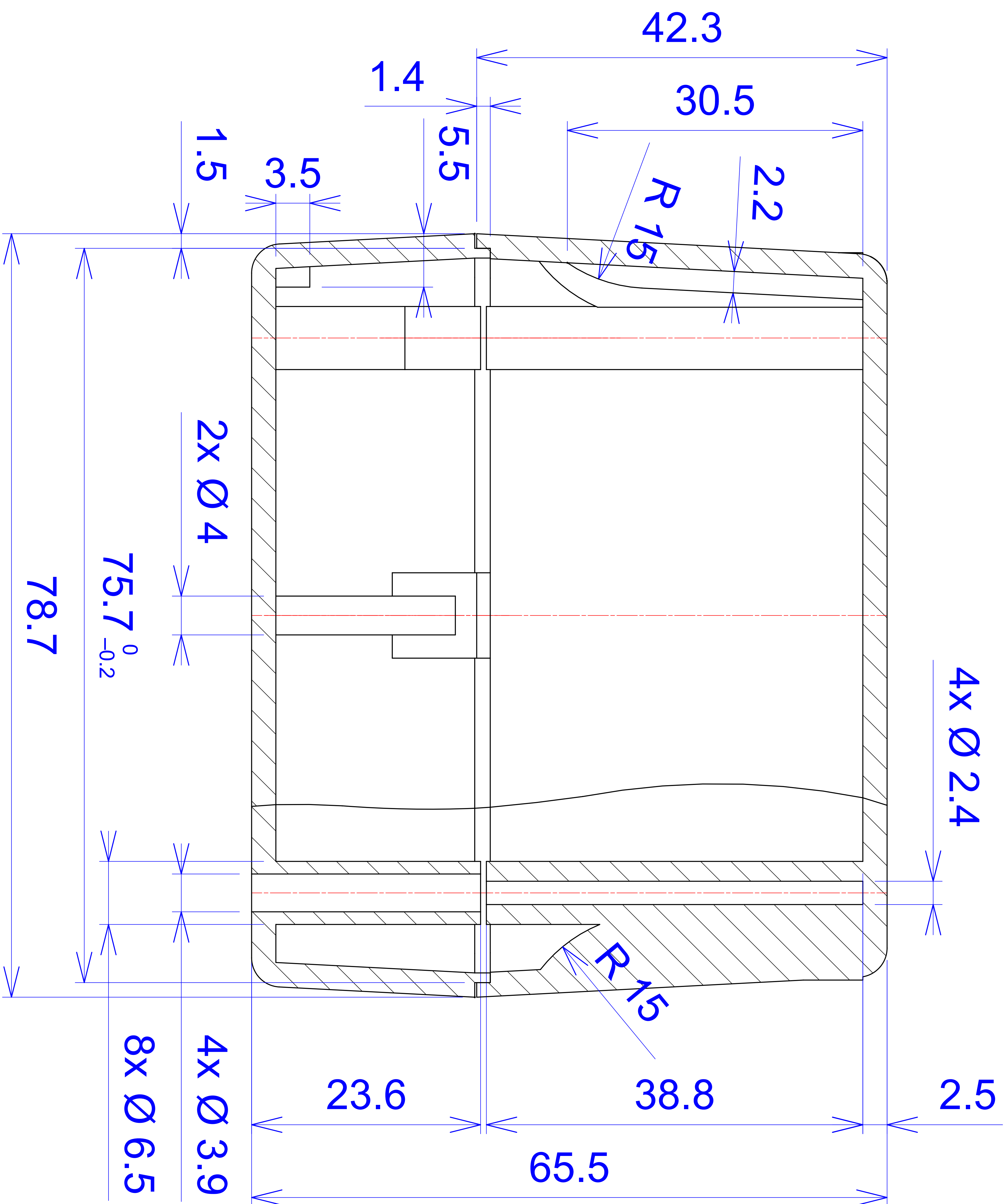


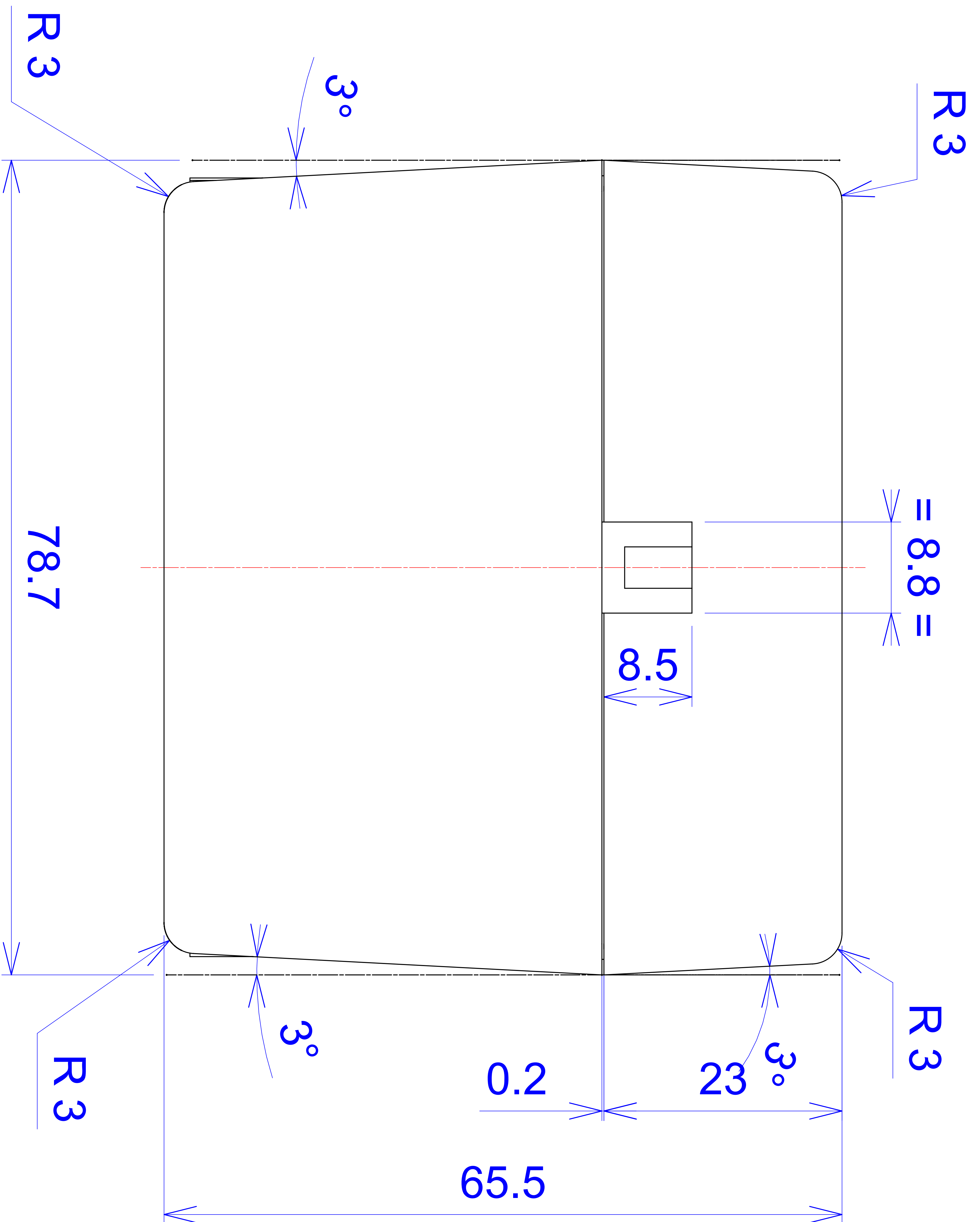
Model produktu	<b>Z-66</b>	
Format:	<b>A4</b>	
Materiał:	Polystyrene (PS)	
Skala:	<b>1:1</b>	
Tolerancja:	+/- 0.1	
		
ul. Nadmiejska 32 04-205 Warszawa Tel: +48 022 613-08-88, Fax: 812-10-68 www.kradex.com.pl		

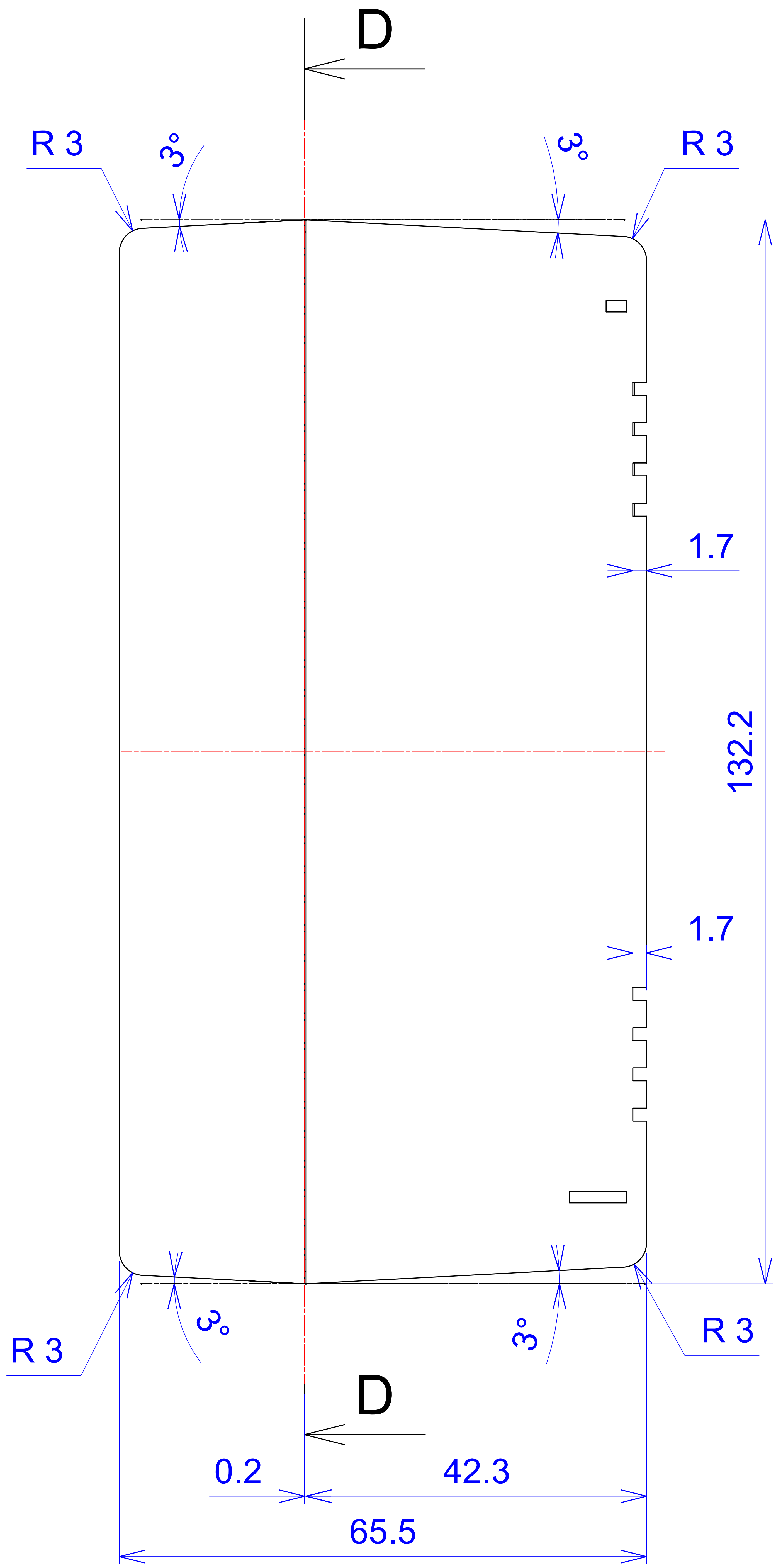


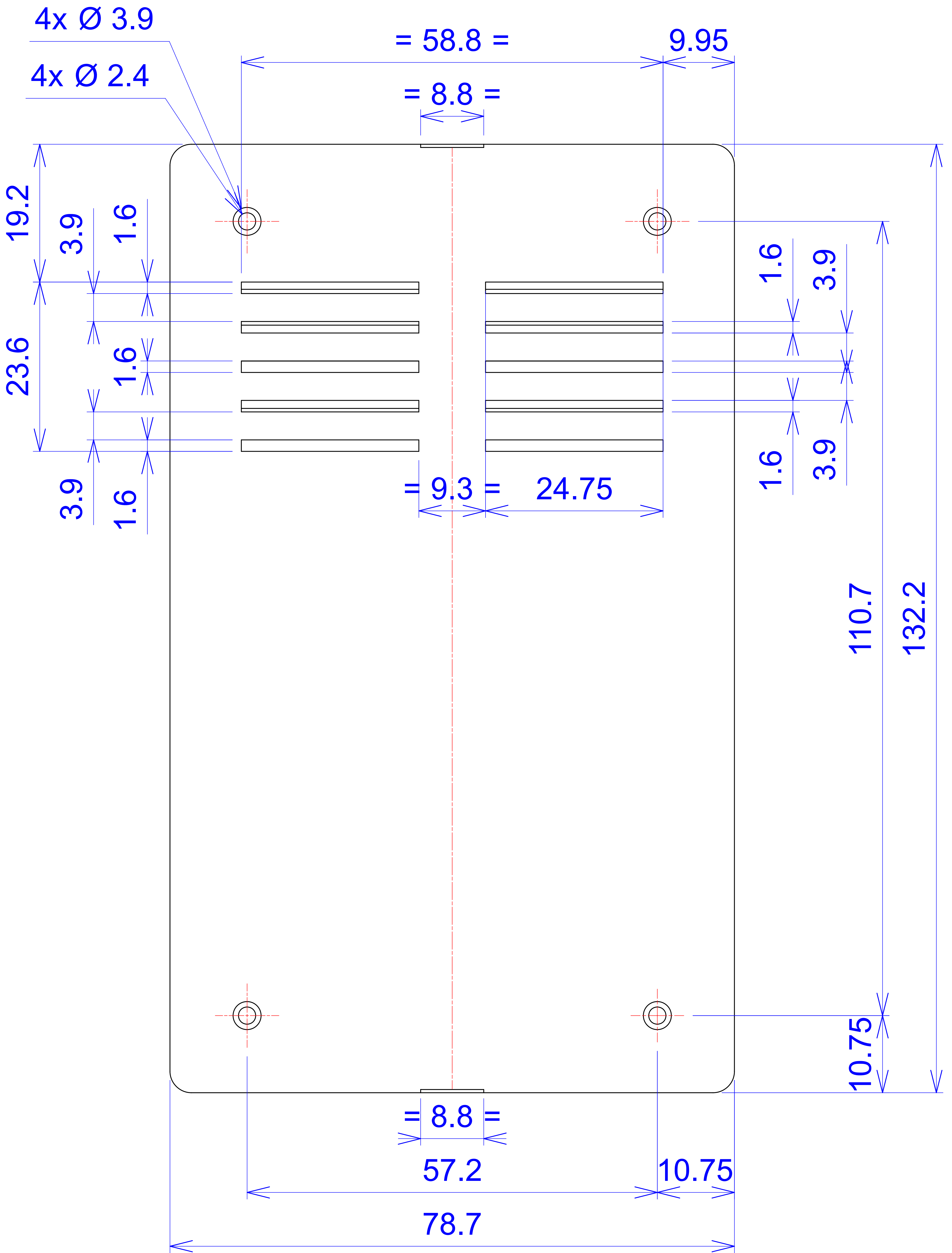


# B - B











C - C

4x Ø 6.5

4x Ø 3.9

4x Ø 2.4

75.7<sup>0</sup><sub>-0.2</sub>

1.5

4x R 3

1

1

32.5

1

1.3

5.5

1.3

110.7

132.2

129.2<sup>0</sup><sub>-0.2</sub>

1.4

0.7

10.75

1.5

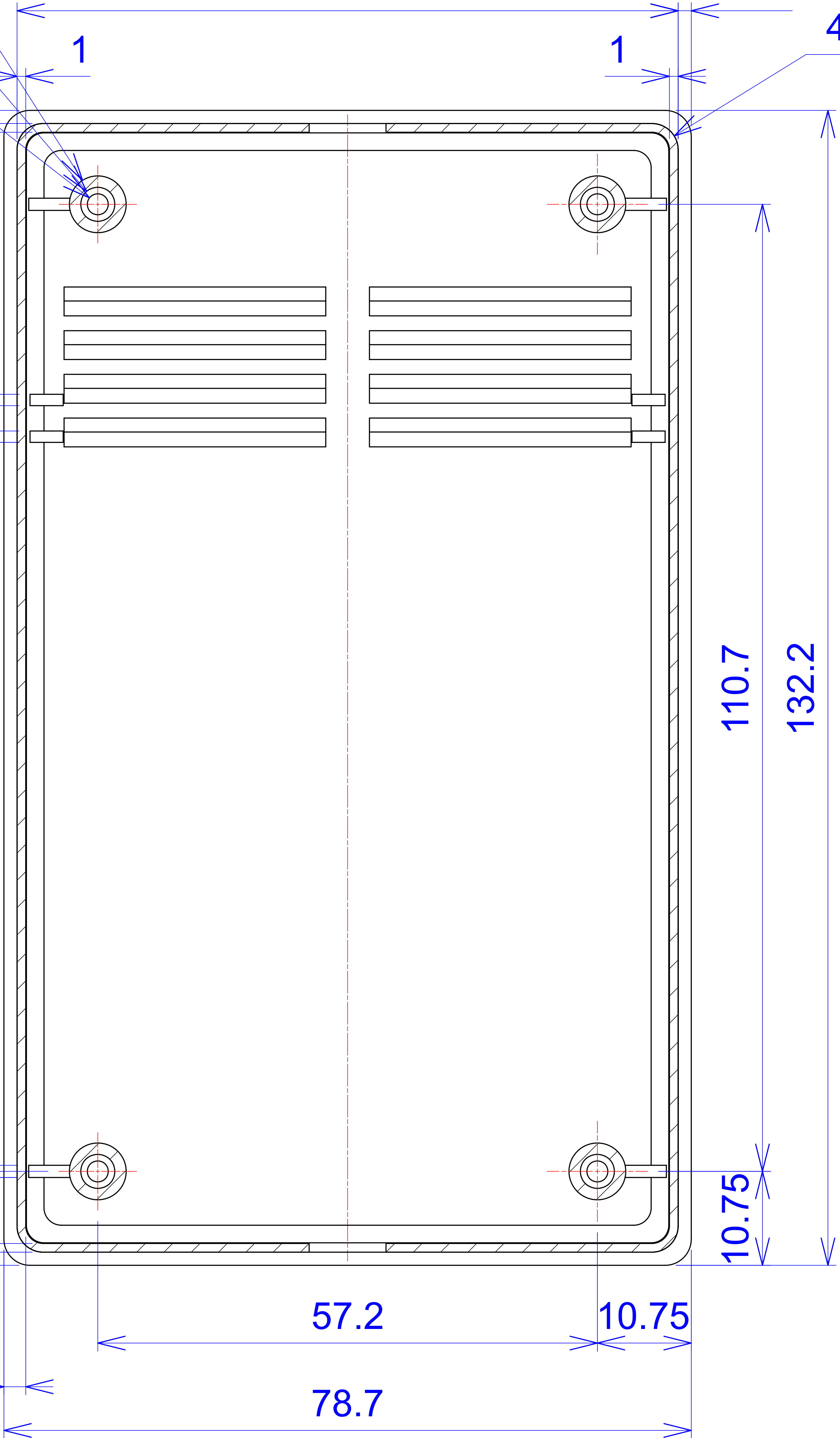
1

2.5

57.2

10.75

78.7





# D - D

